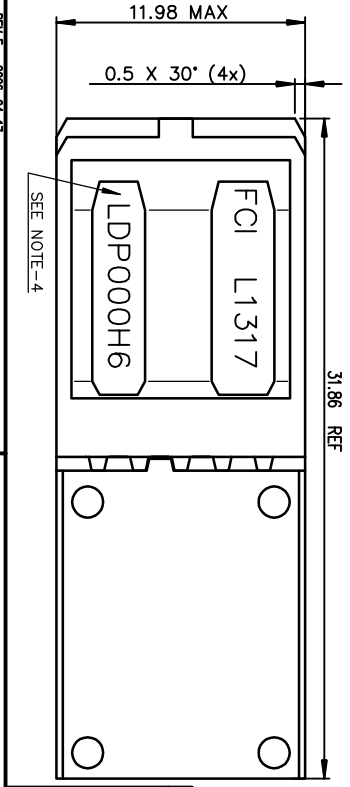


NOTE-1: NOMINATIVE REF = IEC-61076-4-104
 NOTE-2: ONE CENTER PEG FOR HOLD DOWN FORCE
 NOTE-3: CODING RECESS FOR 8MM EXTENDED KEYS
 NOTE-4: PRODUCT MARKING = PRODUCT NUMBER + BATCH CODE + FCI
 FOR 1 MODULE SIZE END OF PART NUMBER ONLY
 NOTE-6: CENTRAL WALL WITH END REAR SUPPORT
 NOTE-7: PACKAGING IN TRAY + COVER
 IF SUFFIX "P" IS ADDED IN P/N PACKAGING IS IN TRAYS
 BUT CONNECTOR MARKING IS WITHOUT "P"
 EXAMPLE: HM1XXXXXXXXXXH6P, MARKED HM1XXXXXXXXXXH6

GENERAL CHARACTERISTICS AND ROHS INFORMATIONS:
 SEE PRODUCT SPECIFICATION GS-12-445



rev	ech no	dr	date
G	LS06-0097	LSO	2006/07/12
H	LS07-0184	MLE	2007/07/25
J	DC09-0359	Genh	2009/11/18
K	DG10-0231	Genh	2010/06/18
L	DG-010291	Qndf	2012/02/14

www.fciconnect.com

Dr	CHAMPION	1994/04/05	ANGULAR	LINEAR	0.X	±0.1	projection	A3	Scale
Eng	De-Feng Qin	2012/02/14	0.XX	0.XX	±0.1	size	4:1		
Chr	Florne Zeng	2012/02/14	0.XX	0.XXX	±0.1	ECN			
Appr	PM Zheng	2012/02/14	Product family						European Views

surface ISO 1302
 TOLERANCES UNLESS OTHERWISE SPECIFIED
 ISO 406 ISO 1101

tolerance std
 ISO 406 ISO 1101

projection

size

Scale

mm

4:1

Rev.

FCI METRAL RA HEADER WB CONVERGED 4x6 CTS-PF-PUSH PEG

catalog no

customer sheet 1 of 2

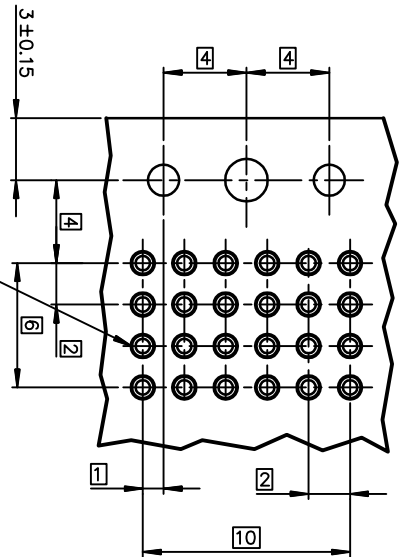
C-8626-0150

TIN LEAD PART NUMBER

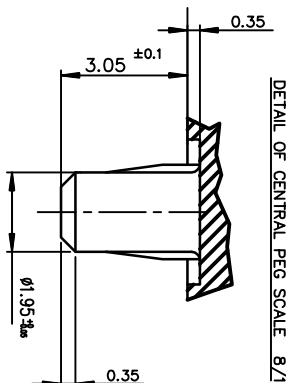
PART NUMBER / CONTACT LOADING

DIM-P 4.010				P/N AND PERFORMANCE LEVEL	SP N°
ROW-A	ROW-B	ROW-C	ROW-D		
5.00	5.00	5.00	5.00	HM1L41ADP000H6P	
5.75	5.75	5.75	5.75	HM1L41LDP000H6P	
6.50	6.50	6.50	6.50	HM1L41DDP000H6P	
6.50	5.00	5.00	5.00	HM1L41BDP000H6P	
6.50	5.75	5.75	6.50	HM1L41CDP000H6P	110
5.00	5.00	6.50	5.00	HM1L41ZDP430H6P	430
5.00	5.75	6.50	5.00	HM1L41ZDP448H6P	448
5.75	5.00	5.00	5.00	HM1L41ZDP009H6P	009
5.75	6.50	5.75	5.00	HM1L41ZDP424H6P	424
6.50	5.75	6.50	5.75	HM1L41ZDP037H6P	037
6.50	5.75	5.00	5.75	HM1L41ZDP102H6P	102
6.50	6.50	6.50	5.75	HM1L41ZDP135H6P	135
6.50	8.00	6.50	5.75	HM1L41ZDP329H6P	329
6.50	5.75	5.75	5.75	HM1L41ZDP369H6P	369

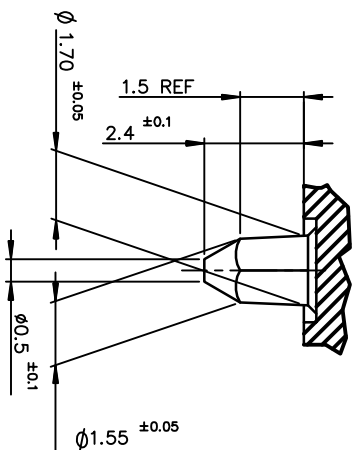
RECOMMENDED PCB LAYOUT



DETAIL OF CENTRAL PEG SCALE 8/1



DETAIL OF LOCATING PEGS (2x) SCALE 8/1



LEAD FREE PART NUMBER

PART NUMBER / CONTACT LOADING

DIM-P 4.010				P/N AND PERFORMANCE LEVEL	SP N°
ROW-A	ROW-B	ROW-C	ROW-D		
5.00	5.00	5.00	5.00	HM1L41ADP000H6PLF	
5.75	5.75	5.75	5.75	HM1L41LDP000H6PLF	
6.50	6.50	6.50	6.50	HM1L41DDP000H6PLF	
6.50	5.00	5.00	5.00	HM1L41BDP000H6PLF	
6.50	5.75	5.75	6.50	HM1L41CDP000H6PLF	110
5.00	5.00	6.50	5.00	HM1L41ZDP10H6PLF	430
5.00	5.75	6.50	5.00	HM1L41ZDP448H6PLF	448
8.00	8.00	8.00	8.00	HM1L41NDP000H6PLF	
5.00	5.00	5.00	5.00	HM1L41ADP001H6PLF	
5.75	5.00	5.00	5.00	HM1L41ZDP009H6PLF	009
5.75	6.50	5.75	5.00	HM1L41ZDP424H6PLF	424
6.50	5.75	6.50	5.75	HM1L41ZDP037H6PLF	037
6.50	5.75	5.00	5.75	HM1L41ZDP102H6PLF	102
6.50	6.50	6.50	5.75	HM1L41ZDP135H6PLF	135
6.50	8.00	6.50	5.75	HM1L41ZDP329H6PLF	329
6.50	5.75	5.75	5.75	HM1L41ZDP369H6PLF	369

Row	CONTACT CODE MOD					
	1	2	3	4	5	6
D	-	-	-	-	-	-
C	-	-	-	-	-	-
B	-	-	-	-	-	-
A	-	-	-	-	-	-

HM1L41ADP001H6PLF
SELECTIVE CONTACT LOADING
NOTE: *-*POSITION LOADED

OTHERS INFORMATIONS; SEE DRW 8626-0150-1

European Views

www.ficonnect.com

Dr	CHAMPION	1994/04/05	ANGULAR	LINEAR	0.xx	±0.1	size	A3	Scale	4/1
Eng	De-Feng Qin	2012/02/14	0.xx	±0.1	0.xxx	±0.1	ECN			
Chr	Flame Zeng	2012/02/14	Product family							
Appr	PM Zheng	2012/02/14								

FCJ METRAL RA HEADER WB
CONVERGED 4x6 CTS-PF-PUSH PEG
catalog no

FCJ METRAL RA HEADER WB
CONVERGED 4x6 CTS-PF-PUSH PEG
customer sheet 2 of 2

