

# SERIES JS 5208 SWITCHES

## NAVIGATION SWITCHES



### SPECIFICATIONS

Contact Rating:	20mA, 15VDC
Life Expectancy:	100,000 Cycles
Contact Resistance:	100m Ohms Max (initial)
Operating Force:	Tilt-280+/-100 grams Push-500 +/-150 grams
Dielectric Strength:	250VAC
Operating Temp:	-20C to +70C
Travel:	Tilt 8 degrees, Push 1.0 +/-0.2mm's

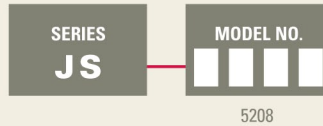
### FEATURES & BENEFITS

- ▶ 5-position navigation
- ▶ Designed for SMT applications that require navigation

### APPLICATIONS/MARKETS

- ▶ Consumer electronics where user interface is needed
- ▶ Handheld instrumentation
- ▶ Navigation
- ▶ Telecommunication

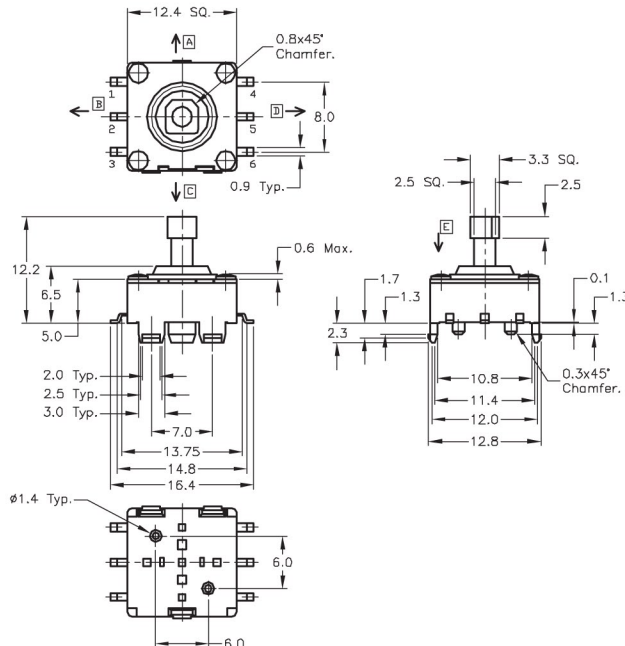
### HOW TO ORDER



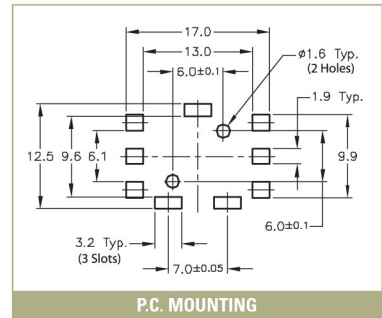
▶ ▶ ▶ **Example Ordering Number**  
JS-5208

Specifications subject to change without notice.

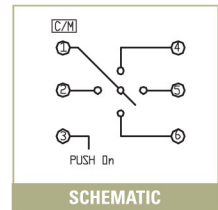
## JS 5208



Position	Connected Term. #
A	1 - 4
B	1 - 2
C	1 - 6
D	1 - 5
E (Push)	1 - 3



P.C. MOUNTING



SCHEMATIC