

THIS DRAWING IS UNPUBLISHED.

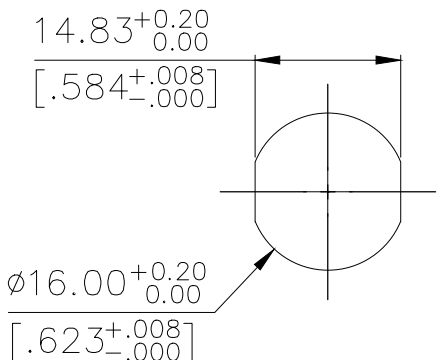
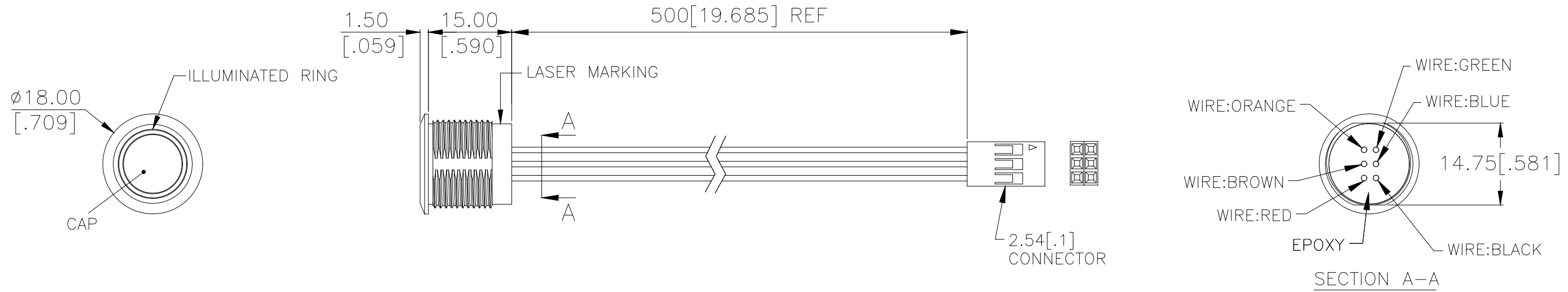
RELEASED FOR PUBLICATION

ALL RIGHTS RESERVED.

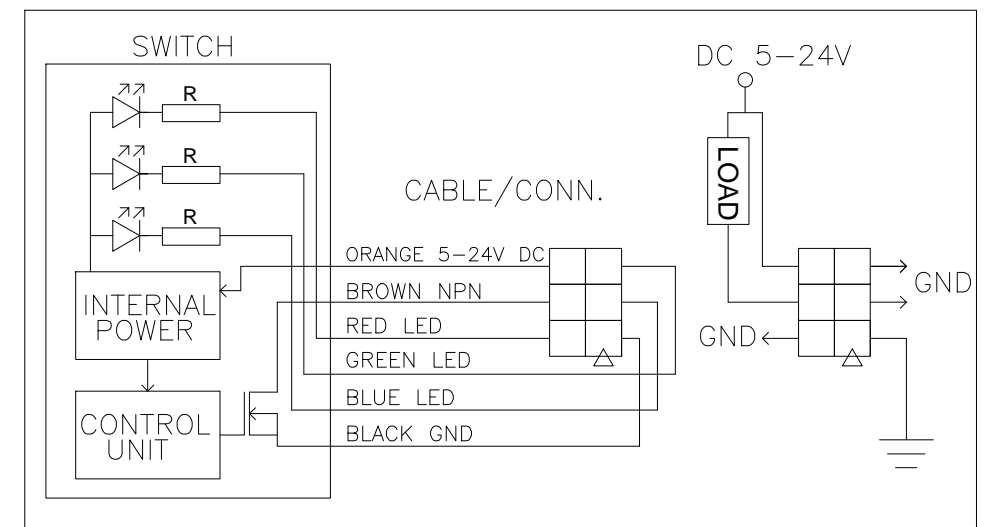
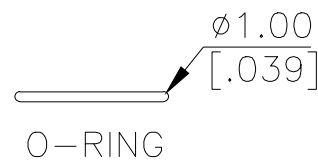
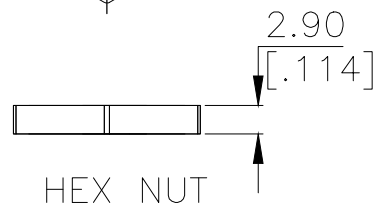
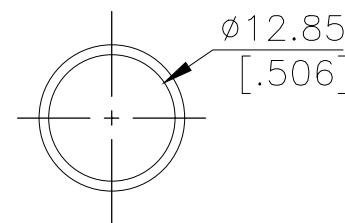
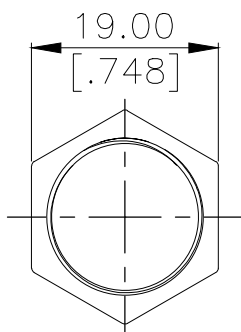
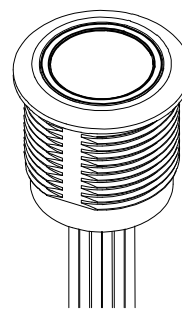
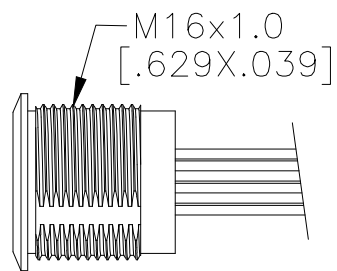
© COPYRIGHT - TE Connectivity Ltd.

REVISIONS

P	LTR	DESCRIPTION	DATE	DWN	APVD
1		NEW DRAWING	28SEP2018	GCM	AS



PANEL CUTOUT
MAX.PANEL THICKNESS: 8.0 [.315] MAX



APPLICATION DIAGRAM

INDICATOR			
SWITCH	LED		
	RED	GREEN	BLUE
OFF	USER		
ON	USER		

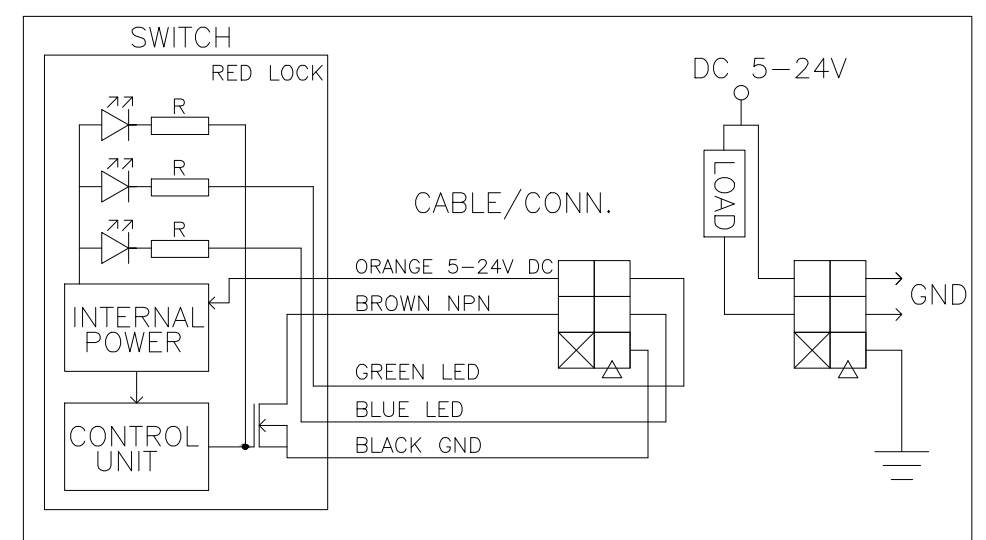
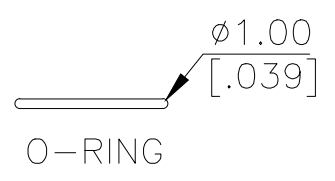
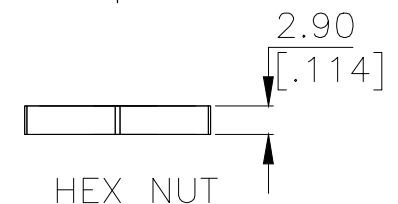
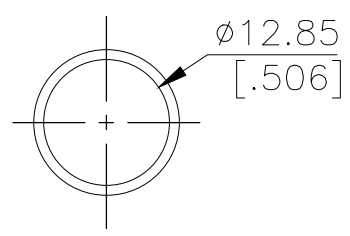
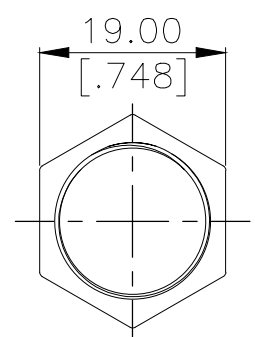
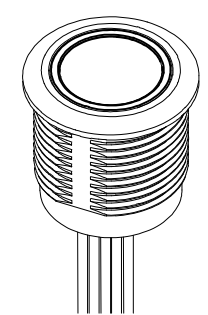
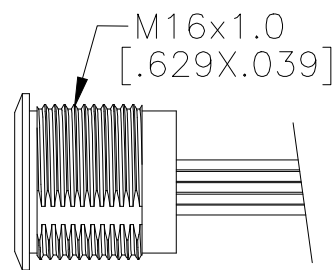
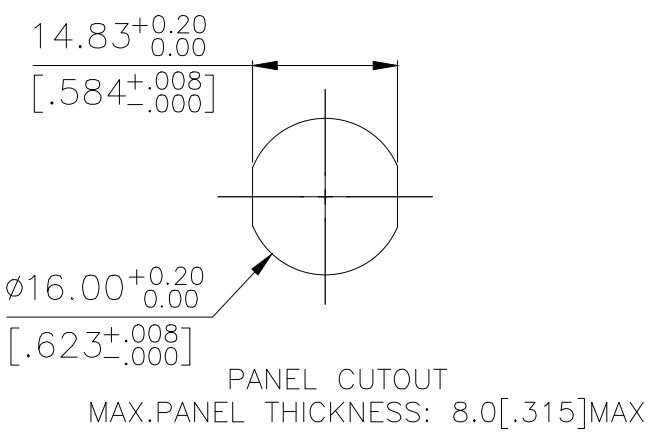
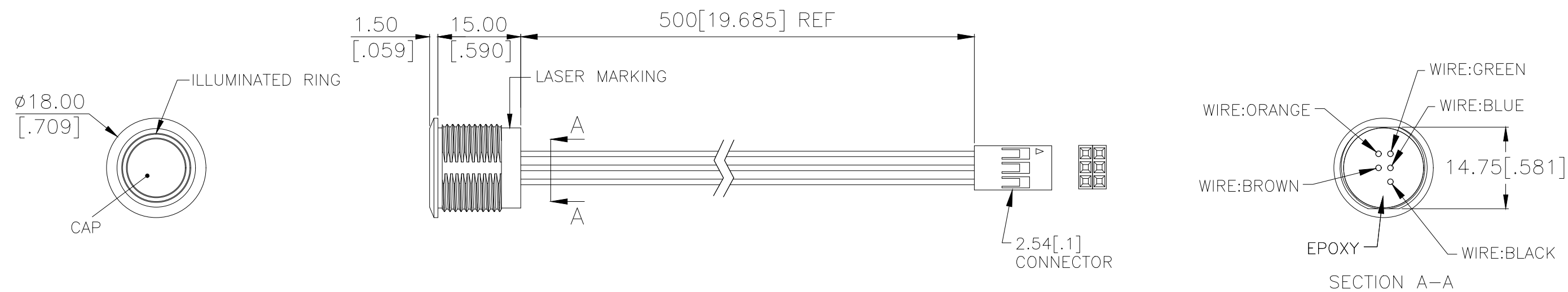
APPLICABLE FOR TE P/N:
2342832-1
2342832-3
2342832-5
2342832-7
2342832-8
2342832-9

PRELIMINARY

THIS DRAWING IS A CONTROLLED DOCUMENT.		DWN	29SEP2018	PRELIMINARY	TE Connectivity Ltd.										
DIMENSIONS: mm [INCHES]		CHK	29SEP2018												
TOLERANCES UNLESS OTHERWISE SPECIFIED:		APVD	29SEP2018												
<table border="1"> <tr><td>0 PLC</td><td>± -</td></tr> <tr><td>1 PLC</td><td>± -</td></tr> <tr><td>2 PLC</td><td>± -</td></tr> <tr><td>3 PLC</td><td>± -</td></tr> <tr><td>4 PLC</td><td>± -</td></tr> <tr><td>ANGLES</td><td>± -</td></tr> </table>		0 PLC	± -			1 PLC	± -	2 PLC	± -	3 PLC	± -	4 PLC	± -	ANGLES	± -
0 PLC	± -														
1 PLC	± -														
2 PLC	± -														
3 PLC	± -														
4 PLC	± -														
ANGLES	± -														
MATERIAL		PRODUCT SPEC		SWITCH,AV,CAPACITIVE,16mm,FL BTN, ILLUM RING,LED,LEADED W/ 2x3 REC											
FINISH		APPLICATION SPEC		SIZE	A3										
		WEIGHT		CAGE CODE	00779										
		CUSTOMER DRAWING		DRAWING NO	C-2342832										
				RESTRICTED TO	-										
				SCALE	NTS										
				SHEET	1 OF 3										
				REV	1										

THIS DRAWING IS UNPUBLISHED. RELEASED FOR PUBLICATION
 © COPYRIGHT - TE Connectivity Ltd. ALL RIGHTS RESERVED.

P	LTR	DESCRIPTION	DATE	DWN	APVD
-	-	SEE SHEET 1	-	-	-



APPLICATION DIAGRAM

APPLICABLE FOR TE P/N:
2342832-2
2342832-4
2342832-6

PRELIMINARY

THIS DRAWING IS A CONTROLLED DOCUMENT.		DWN GANESH C M 29SEP2018	TE Connectivity Ltd.		
DIMENSIONS: mm [INCHES]		CHK ALEXANDER SHARPE 29SEP2018			
TOLERANCES UNLESS OTHERWISE SPECIFIED: 0 PLC ± - 1 PLC ± - 2 PLC ± - 3 PLC ± - 4 PLC ± - ANGLES ± -		APVD ALEXANDER SHARPE 29SEP2018	NAME SWITCH,AV,CAPACITIVE,16mm,FL BTN, ILLUM RING,LED,LEADED W/ 2x3 REC		
MATERIAL		FINISH	PRODUCT SPEC	SIZE	RESTRICTED TO
-		-	-	A3	-
CUSTOMER DRAWING			WEIGHT	CAGE CODE	REV
-			-	00779	1
-			SCALE	SHEET	DATE
-			NTS	2 of 3	29SEP2018

THIS DRAWING IS UNPUBLISHED.

RELEASED FOR PUBLICATION

- . - .

REVISIONS

© COPYRIGHT - TE Connectivity Ltd.

ALL RIGHTS RESERVED.

P	LTR	DESCRIPTION	DATE	DWN	APVD
-	-	SEE SHEET 1	-	-	-

NOTES:

1. SPECIFICATIONS:

- 1. OPERATING LIFE: 50 MILLION CYCLE MIN.
- 2. CONTACT RESISTANCE: 1Ω MAX.
- 3. OPERATING TEMPERATURE: -20°C to 65°C

2. MATERIAL:

- 1. SEALING: SILICONE, EPOXY
- 2. O-RING: SILICONE
- 3. HEX NUT: NICKEL PLATED BRASS

3. PACKAGING:

SWITCH ASSEMBLIES ARE INDIVIDUALLY BUNDLED.
HARDWARE IS NOT ASSEMBLED TO THE SWITCHED.

4. COMPLIANCE:

ALL MATERIALS AND FINISHES SHALL COMPLY WITH EU DIRECTIVE
2002/95/EC OF 27 JAN2003(ROHS).

5. HARDWARE IS SHIPPED UNASSEMBLED.

PC; STAINLESS STEEL	STAINLESS STEEL 316	RGB	MOMENTARY	AVC16MS16FE0DT5B04	2342832-9
PC; STAINLESS STEEL	STAINLESS STEEL 304	RGB	MOMENTARY	AVC16MS04FE0DT5B04	2342832-8
PC; ALUMINUM	ALUMINUM	RGB	MOMENTARY	AVC16MAIOFE0DT5B04	2342832-7
PC; STAINLESS STEEL	STAINLESS STEEL 316	RED LOCK	LOCKING	AVC16LS16FE03T5B04	2342832-6
PC; STAINLESS STEEL	STAINLESS STEEL 316	RGB	LOCKING	AVC16LS16FE0DT5B04	2342832-5
PC; STAINLESS STEEL	STAINLESS STEEL 304	RED LOCK	LOCKING	AVC16LS04FE03T5B04	2342832-4
PC; STAINLESS STEEL	STAINLESS STEEL 304	RGB	LOCKING	AVC16LS04FE0DT5B04	2342832-3
PC; ALUMINUM	ALUMINUM	RED LOCK	LOCKING	AVC16LAI0FE03T5B04	2342832-2
PC; ALUMINUM	ALUMINUM	RGB	LOCKING	AVC16LAI0FE0DT5B04	2342832-1
CAP MATERIAL	BUSHING MATERIAL	LED COLOR	CONTACT CONFIGURATION	TE SMART PART NUMBER	PART NUMBER

THIS DRAWING IS A CONTROLLED DOCUMENT.

DWN 29SEP2018

GANESH C M

CHK 29SEP2018

ALEXANDER SHARPE

APVD 29SEP2018

ALEXANDER SHARPE

PRODUCT SPEC

APPLICATION SPEC

WEIGHT

CUSTOMER DRAWING



TE Connectivity Ltd.

NAME
SWITCH,AV,CAPACITIVE,16mm,FL BTN,
ILLUM RING,LED,LEADED W/ 2x3 REC

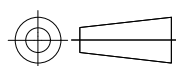
SIZE CAGE CODE DRAWING NO RESTRICTED TO

A3 00779 C-2342832

SCALE NTS SHEET 3 of 3 REV 1

DIMENSIONS:
mm [INCHES]

TOLERANCES UNLESS
OTHERWISE SPECIFIED:



- 0 PLC ± -
- 1 PLC ± -
- 2 PLC ± -
- 3 PLC ± -
- 4 PLC ± -
- ANGLES ± -

MATERIAL FINISH

- -

PRELIMINARY