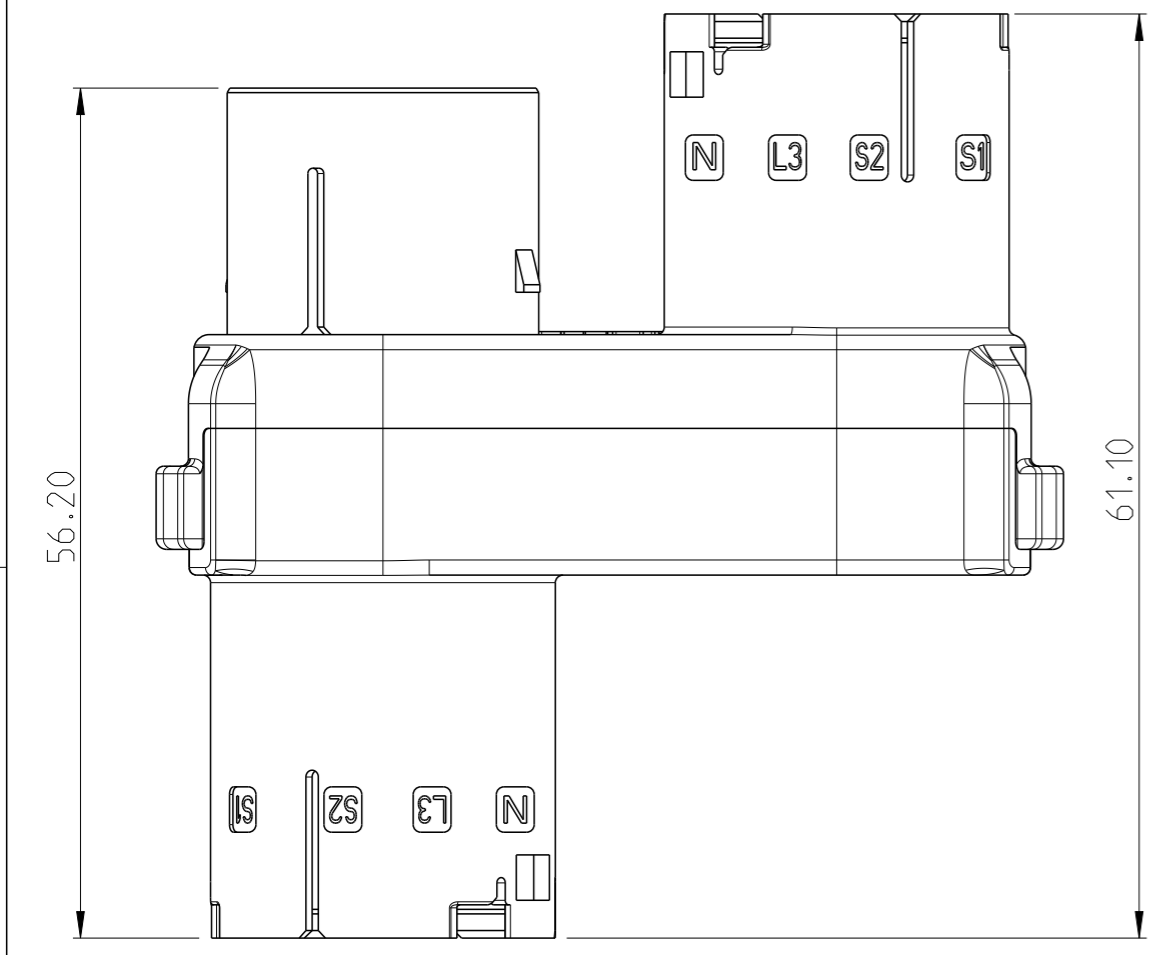
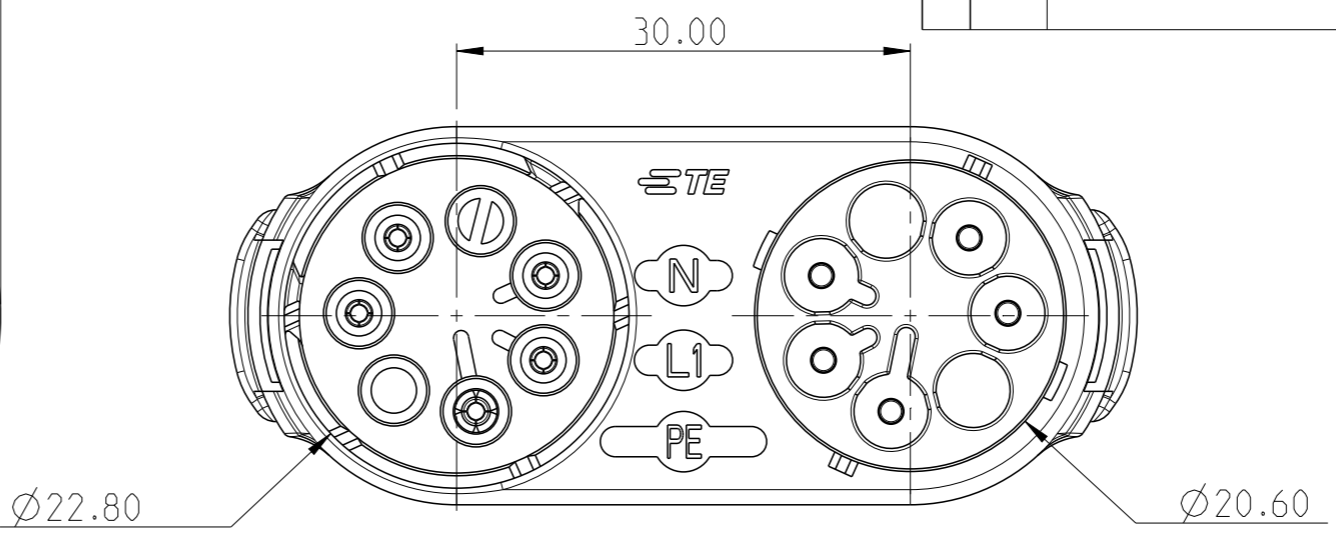
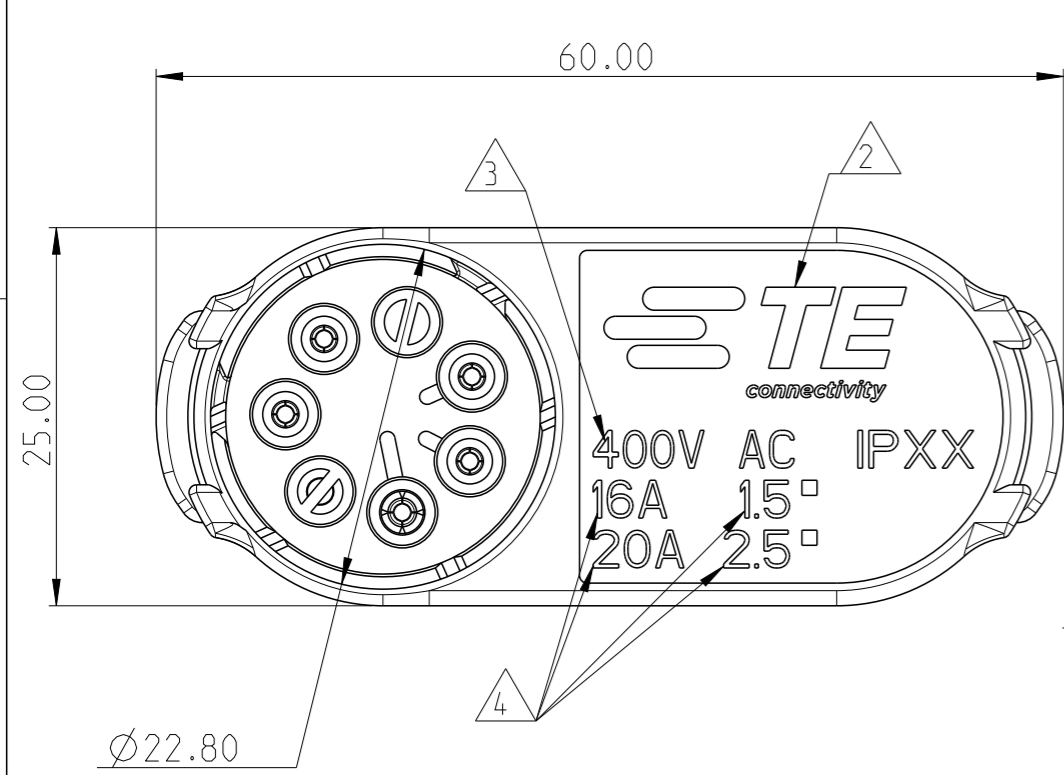


THIS DRAWING IS UNPUBLISHED. RELEASED FOR PUBLICATION 2013  
 © COPYRIGHT 2013 BY - ALL RIGHTS RESERVED.

LOC	DIST	REVISIONS					
-	-	P	LTR	DESCRIPTION	DATE	DWN	APVD
		1		FIRST ISSUE	08MAY2013	KR	JC
		A		PARTS RELEASED FOR PRODUCTION	19NOV2013	KR	JC



NOTES:

- 1) FOR ALL POLARISATION KEYS SEE TABLE ON SHEET 2 OF 2.
- 2) TE LOGO
- 3) RATED VOLTAGE
- 4) RATED CURRENT AND CABLE SIZE
- 5) PARTS UNDER APPROVAL ACCORDING TO IEC 61535. PARTS TO BE TESTED ACCORDING TO INTERNAL TE ENDURANCE TESTS PROCEDURE

COLOUR	POL. KEYING	DESCRIPTION	DRAWING REFERENCE	REV.
BLACK	E-E	T-SPLITTER 5 POS CONN. NECTOR* M-LINE 5 POS	1-1879995-5	A
BLACK	D-D	T-SPLITTER 5 POS CONN. NECTOR* M-LINE 5 POS	1-1879995-4	A
BLACK	C-C	T-SPLITTER 5 POS CONN. NECTOR* M-LINE 5 POS	1-1879995-3	A
BLACK	B-B	T-SPLITTER 5 POS CONN. NECTOR* M-LINE 5 POS	1-1879995-2	A
BLACK	A-A	T-SPLITTER 5 POS CONN. NECTOR* M-LINE 5 POS	1-1879995-1	A
NATURAL	E-E	T-SPLITTER 5 POS CONN. NECTOR* M-LINE 5 POS	1879995-5	A
NATURAL	D-D	T-SPLITTER 5 POS CONN. NECTOR* M-LINE 5 POS	1879995-4	A
NATURAL	C-C	T-SPLITTER 5 POS CONN. NECTOR* M-LINE 5 POS	1879995-3	A
NATURAL	B-B	T-SPLITTER 5 POS CONN. NECTOR* M-LINE 5 POS	1879995-2	A
NATURAL	A-A	T-SPLITTER 5 POS CONN. NECTOR* M-LINE 5 POS	1879995-1	A

THIS DRAWING IS A CONTROLLED DOCUMENT.

DIMENSIONS: mm	TOLERANCES UNLESS OTHERWISE SPECIFIED:
	0 PLC ± 1 PLC ± 2 PLC ±0.3 3 PLC ±0.2 4 PLC ± ANGLES ±3°
MATERIAL	FINISH

DWN K. RAGHAVENDRA 08MAY2013
CHK M. ZUCCA 08MAY2013
APVD J. CATCHPOLE 08MAY2013
PRODUCT SPEC
APPLICATION SPEC
WEIGHT

**STE** TE Connectivity

NAME: T-SPLITTER CONNECTOR NECTOR\* M-LINE 5 POS

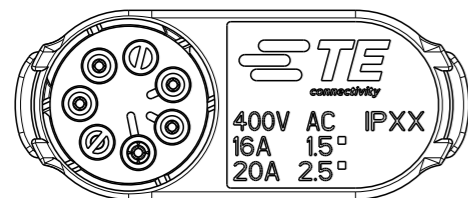
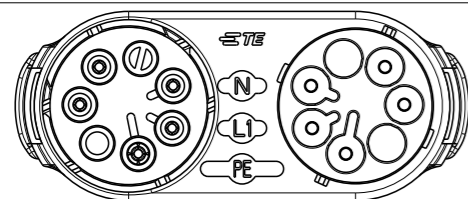
SIZE: A3 CAGE CODE: 00779 DRAWING NO: C-1879995 RESTRICTED TO: -

Customer Drawing SCALE: 1:1 SHEET 1 OF 2 REV: A

P	LTR	DESCRIPTION	DATE	DWN	APVD
-	-	SEE SHEET 1	-	-	-

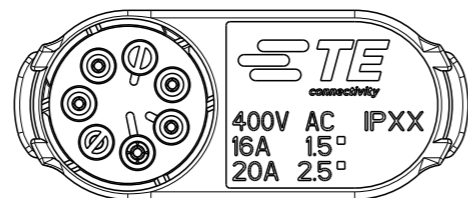
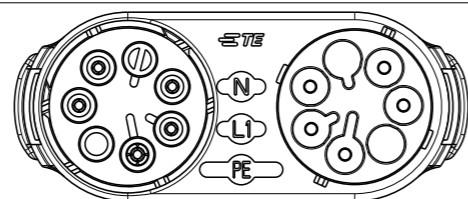
### POLARISATION KEYS

TYPE "A-A"



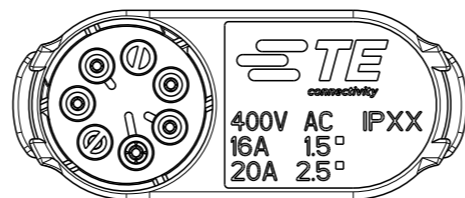
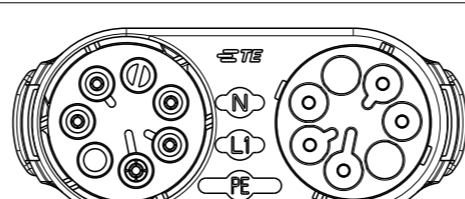
P/N 1879995-1 AND P/N 1-1879995-1

TYPE "B-B"



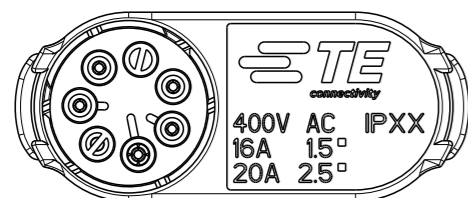
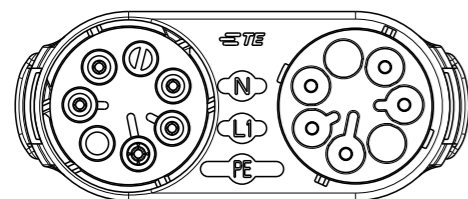
P/N 1879995-2 AND P/N 1-1879995-2

TYPE "C-C"



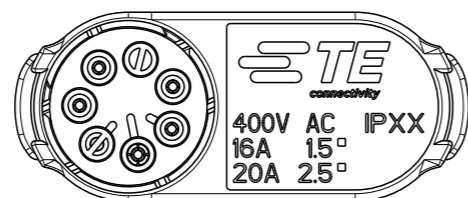
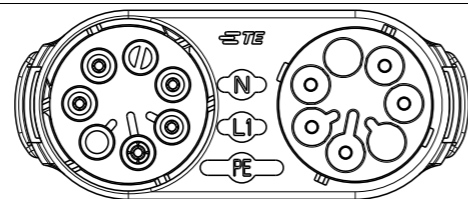
P/N 1879995-3 AND P/N 1-1879995-3

TYPE "D-D"

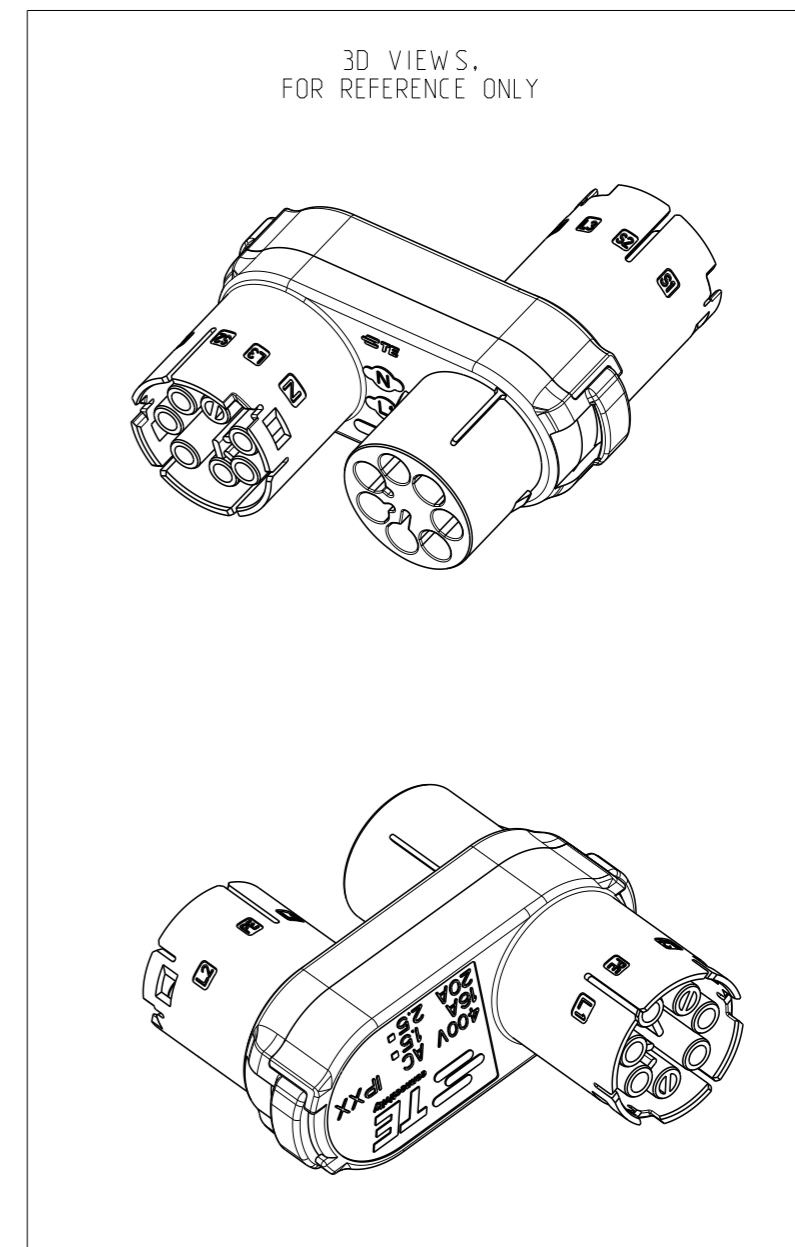


P/N 1879995-4 AND P/N 1-1879995-4

TYPE "E-E"



P/N 1879995-5 AND P/N 1-1879995-5



THIS DRAWING IS A CONTROLLED DOCUMENT.

DIMENSIONS:	TOLERANCES UNLESS OTHERWISE SPECIFIED:
mm	
	0 PLC ±
	1 PLC ±
	2 PLC ±0.3
	3 PLC ±0.2
	4 PLC ±
	ANGLES ±3°
MATERIAL -	FINISH -

DWN	08MAY2013
CHK	K. RAGHAVENDRA
APVD	08MAY2013
PRODUCT SPEC	M. ZUCCA
APPLICATION SPEC	J. CATCHPOLE
WEIGHT	-

		NAME		RESTRICTED TO
		T-SPLITTER CONNECTOR NECTOR* M-LINE 5 POS		
SIZE	CAGE CODE	DRAWING NO		
A3	00779	©-1879995		