

### Features

- Bidirectionally Buffers I<sup>2</sup>C SDA Signal
- Extends and Isolates I<sup>2</sup>C Interfaces
- Standard-mode and Fast-mode I<sup>2</sup>C  
Side B Fast-mode Compatible  $V_{DDB} \geq 4.5V$
- Operates on 2.7V to 5.5V
- Voltage Level Translation
- Slew-Limited Drivers Reduce EMI
- Powerdown to Hi-Z Does Not Load I<sup>2</sup>C
- 3750V<sub>rms</sub> Galvanic Isolation
- Single 8-pin Surface-Mount Package
- Flammability Rating UL 95 V-0

### Applications

- Isolated Control and Signal Monitoring
- Power-over-Ethernet
- Power Supply High Side Interface
- I<sup>2</sup>C Bus Length Extenders
- I<sup>2</sup>C Logic Level Translation

### Approvals

- UL 1577 File E76270
- CSA Certified Component: Certificate 70157867
- EN/IEC 60950 Certified Component:  
TUV Certificate available on our website



### Description

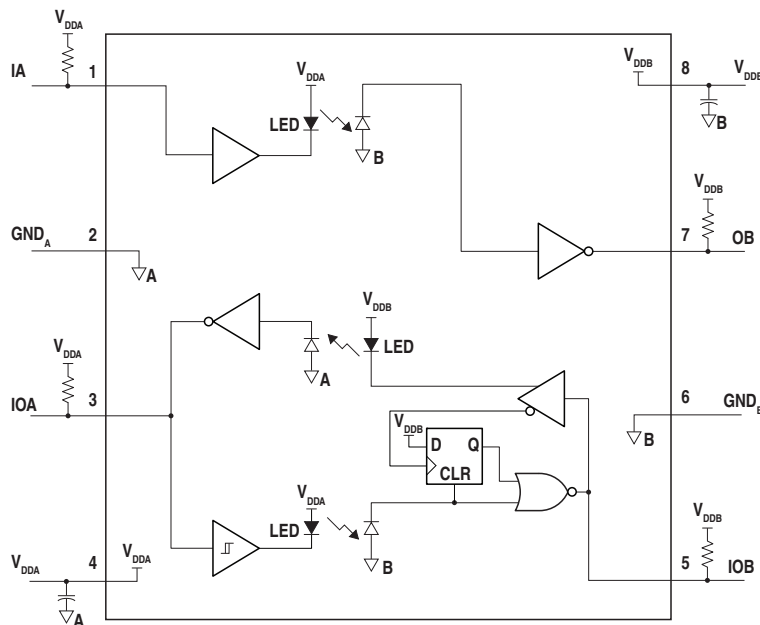
The CPC5903 is a dual, optically isolated, logic-bus repeater. It isolates two open-drain logic signals while providing 3750V<sub>rms</sub> of galvanic isolation. When the two sides are powered by different supply voltages, it also functions as a logic level translator for levels as low as 2.7V or as high as 5.5V. Because the CPC5903 provides an isolated bidirectional buffer for the I<sup>2</sup>C data signal and a unidirectional buffer for the I<sup>2</sup>C clock signal, it is best suited for applications where clock stretching is not required. This configuration also requires the I<sup>2</sup>C bus master to be on the Side A bus.

Unlike transformer or capacitive isolators, optical isolation passes DC signals and does not require continuous clocking to ensure the proper state is maintained. The CPC5903 always returns the buffered signals to their proper state after transient interruptions on either side.

### Ordering Information

Part	Description
CPC5903G	8-Pin DIP (50 / Tube)
CPC5903GS	8-Pin Surface Mount (50 / Tube)
CPC5903GSTR	8-Pin Surface Mount (1000 / Reel)

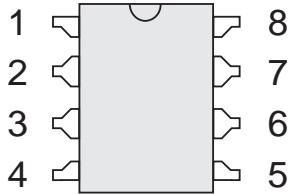
Figure 1. CPC5903 Functional Block Diagram



<b>1. Specifications</b>	<b>3</b>
1.1 Package Pinout	3
1.2 Pin Description	3
1.3 Absolute Maximum Ratings	3
1.4 ESD Rating	3
1.5 Thermal Characteristics	3
1.6 General Conditions	4
1.7 Electrical Specifications	4
1.8 Switching Specifications	5
1.9 Side A to Side B Switching Waveforms	6
1.10 IOB to IOA Switching Waveforms	6
<b>2. Performance Data*</b>	<b>7</b>
<b>3. Functional Description</b>	<b>8</b>
3.1 Introduction	8
3.2 Fast-mode Operation	8
3.3 Logic Input Thresholds and Output Levels	8
3.4 Pull-Up Resistor Selection	8
3.5 Pulse Propagation, Stretching and Delays	9
3.6 Start-Up	10
3.7 Power Supply Decoupling and Noise	10
<b>4. Design Considerations</b>	<b>11</b>
4.1 Side A Pull-Up Resistors: $R_{PUA}$	11
4.2 Side B Pull-Up Resistors	11
4.2.1 OB Pull-Up resistor: $R_{PU-OB}$	11
4.2.2 IOB Pull-Up Resistor: $R_{PUB}$	12
<b>5. Manufacturing Information</b>	<b>13</b>
5.1 Moisture Sensitivity	13
5.2 ESD Sensitivity	13
5.3 Soldering Profile	13
5.4 Board Wash	13
5.5 Mechanical Dimensions	14
5.5.1 CPC5903G 8-Pin DIP Package	14
5.5.2 CPC5903GS 8-Pin Surface Mount Package	14
5.5.3 CPC5903GSTR Tape & Reel Information for Surface Mount Package	15

## 1 Specifications

### 1.1 Package Pinout



### 1.2 Pin Description

Pin#	Name	Description
1	IA	Input Unidirectional Buffer - Side A
2	GND <sub>A</sub>	Supply Return - Side A
3	IOA	Bidirectional Input/Output - Side A
4	V <sub>DDA</sub>	Supply Voltage - Side A
5	IOB	Bidirectional Input/Output - Side B
6	GND <sub>B</sub>	Supply Return - Side B
7	OB	Output Unidirectional Buffer - Side B
8	V <sub>ddb</sub>	Supply Voltage - Side B

### 1.3 Absolute Maximum Ratings

Electrical absolute maximum ratings are at 25°C. Voltages with respect to local ground: GND<sub>A</sub> or GND<sub>B</sub>.

Parameter	Symbol	Min	Max	Units
Supply Voltage A	V <sub>DDA</sub>	-0.5	+6.5	V
Supply Voltage B	V <sub>ddb</sub>	-0.5	+6.5	V
Input Voltage	V <sub>IOx</sub> , V <sub>IA</sub>	-0.3	V <sub>DDx</sub> + 0.3	V
Power Dissipation <sup>1</sup>	P <sub>TOT</sub>	-	800	mW
Isolation Voltage, Side A to Side B				
60 Seconds		3750	-	V <sub>rms</sub>
2 Seconds		4500	-	
Operating Temperature	T <sub>A</sub>	-40	+85	°C
Operating Relative Humidity	RH	5	85	%
Storage Temperature	T <sub>STG</sub>	-50	+125	°C

<sup>1</sup> Derate total power by 7.5mW / °C above 25°C.

Absolute maximum ratings are stress ratings. Stresses in excess of these ratings can cause permanent damage to the device. Functional operation of the device at conditions beyond those indicated in the operational sections of this data sheet is not implied.

### 1.4 ESD Rating

ESD Rating (Human Body Model)
4000V

### 1.5 Thermal Characteristics

Parameter	Conditions	Symbol	Typ	Units
Thermal Impedance, Junction to Ambient	Free Air	R <sub>θJA</sub>	114	°C/W

### 1.6 General Conditions

Unless otherwise specified, minimum and maximum values are guaranteed by production testing requirements or by design. Typical values are characteristic of the device at 25°C, and are the result of engineering evaluations. They are provided for information purposes only, and are not part of the manufacturing testing requirements. Specifications cover the operating temperature range  $T_A = -40^{\circ}\text{C}$  to  $+85^{\circ}\text{C}$ .

### 1.7 Electrical Specifications

Parameter	Conditions	Symbol	Min	Typ	Max	Units
<b>Side A</b>						
Supply Voltage	$I_{IOA}=6\text{mA}$	$V_{DDA}$	2.7	-	5.5	V
Supply Current	$V_{DDA}=3.3\text{V}, I_{IOA}=0$	$I_{DDA}$	-	7.5	-	mA
	$I_{IOA}=6\text{mA}$		-	7.85	-	
	$V_{DDA}=5.5\text{V}, I_{IOA}=0, T_A=25^{\circ}\text{C}$		-	8.1	10	
Leakage Current	$V_{IA}=V_{IOA}=V_{DDA}$	$I_{LEAKA}$	-	0.01	10	$\mu\text{A}$
Input Capacitance		$C_{IN}$		3		pF
Falling Input Low Threshold	$V_{DDA}=2.7\text{V}$ to $5.5\text{V}$	$V_{ILA}$	$0.3V_{DD}$	-	-	V
Rising Input High Threshold	$V_{DDA}=2.7\text{V}$ to $5.5\text{V}$	$V_{IHA}$	-	-	$0.7V_{DD}$	
Hysteresis	$V_{DDA}=2.7\text{V}$ to $5.5\text{V}$	$HYST_A$	-	$0.15V_{DD}$	-	V
Output Drive	$V_{DDA}=2.7\text{V}, I_{IOA}=3\text{mA}$	$V_{OLA}$	-	0.21	0.35	V
	$V_{DDA}=2.7\text{V}, I_{IOA}=6\text{mA}$		-	0.42	0.7	
Output Temperature Coefficient	$V_{DDA}=2.7\text{V}$ to $5.5\text{V}, I_{IOA}=6\text{mA}$	$TC_A$	-	+1.2	-	$\text{mV}/^{\circ}\text{C}$
<b>Side B</b>						
Supply Voltage	$I_{OB}=I_{IOB}=3\text{mA}$	$V_{DDB}$	2.7	-	5.5	V
Supply Current	$V_{DDB}=3.3\text{V}, I_{OB}=I_{IOB}=0$	$I_{DDB}$	-	8.4	-	mA
	$I_{OB}=I_{IOB}=3\text{mA}$		-	8.75	-	
	$V_{DDB}=5.5\text{V}, I_{OB}=I_{IOB}=0, T_A=25^{\circ}\text{C}$		-	9.3	11.3	
Leakage Current	$V_{IA}=V_{IOA}=V_{DDB}$	$I_{LEAKB}$	-	0.01	10	$\mu\text{A}$
Input Capacitance		$C_{IN}$		3		pF
Falling Input Low Threshold	$V_{DDB} = 2.7\text{V}$	$V_{ILB}$	0.48	0.54	0.6	V
	$V_{DDB} = 2.7\text{V}$ to $5.5\text{V}$		$0.2V_{DDB} - 60\text{mV}$	$0.2V_{DDB}$	$0.2V_{DDB} + 60\text{mV}$	
Hysteresis	$V_{DDB}=2.7\text{V}$ to $5.5\text{V}$	$HYST_B$	-	$0.01V_{DDB}$	-	V
Output Drive	$V_{DDB}=2.7\text{V}, I_{OB}=I_{IOB}=3\text{mA}$	$V_{OLB}$	0.63	0.72	0.81	V
	$V_{DDB}=2.7\text{V}, I_{OB}=I_{IOB}=0.1\text{mA}$		-	0.62	-	
	$V_{DDB} = 2.7\text{V}$ to $5.5\text{V}, I_{OB}=I_{IOB}=3\text{mA}$		-	$0.23V_{DDB}$	$0.23V_{DDB} + 190\text{mV}$	
	$V_{DDB}\geq 4.5\text{V}, I_{OB}=I_{IOB}=6\text{mA}$				$0.3V_{DDB}$	
Self-Drive Margin	$V_{DDB}=2.7\text{V}, I_{IOB}=0.1\text{mA}$ (Self_Out-In) $V_{DIFFERENCE}$	$V_{OLB} - V_{ILB}$	25	-	-	mV
Output Temperature Coefficient	$V_{DDB}=2.7\text{V}$ to $5.5\text{V}, I_{OB}=I_{IOB}=3\text{mA}$	$TC_B$	-	+0.4	-	$\text{mV}/^{\circ}\text{C}$

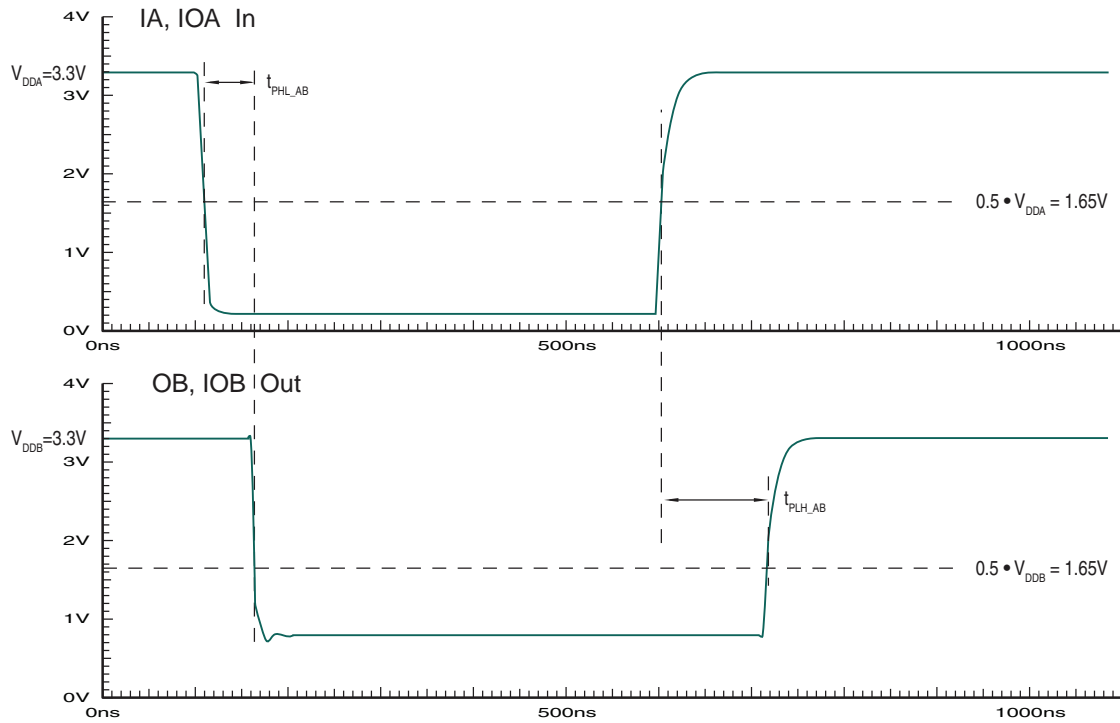
1.8 Switching Specifications

Parameter	Conditions	Symbol	Min	Typ	Max	Units	
I <sup>2</sup> C Clock Frequency	I <sub>IOA</sub> =6mA, C <sub>LOADA</sub> =400pF	I <sub>OB</sub> =I <sub>IOB</sub> =3mA, C <sub>LOADB</sub> =200pF	f <sub>MAX</sub>	500	-	-	kHz
		I <sub>OB</sub> =I <sub>IOB</sub> =6mA, C <sub>LOADB</sub> =400pF, V <sub>DDB</sub> ≥ 4.5V					
Propagation Delay A to B <sup>1</sup> Falling Rising	V <sub>DDA</sub> =V <sub>DDB</sub> =3.3V, R <sub>PUA</sub> =475Ω, R <sub>PUB</sub> =825Ω C <sub>I_A</sub> =C <sub>I_B</sub> =20pF	0.5V <sub>DDA</sub> to 0.5V <sub>DDB</sub>	t <sub>PHL_AB</sub>	-	60	135	ns
			t <sub>PLH_AB</sub>	-	122	270	
Propagation Delay IOB to IOA Falling Rising	R <sub>PUA</sub> =475Ω, R <sub>PUB</sub> =825Ω C <sub>I_A</sub> =C <sub>I_B</sub> =20pF	0.2V <sub>DDB</sub> to 0.5V <sub>DDA</sub>	t <sub>PHL_BA</sub>	-	90	170	ns
			t <sub>PLH_BA</sub>	-	165	275	
Propagation Delay IOB to IOA to IOB Rising		0.2V <sub>DDB</sub> to 0.5V <sub>DDB</sub>	t <sub>PLH_BAB</sub>	-	290	480	ns

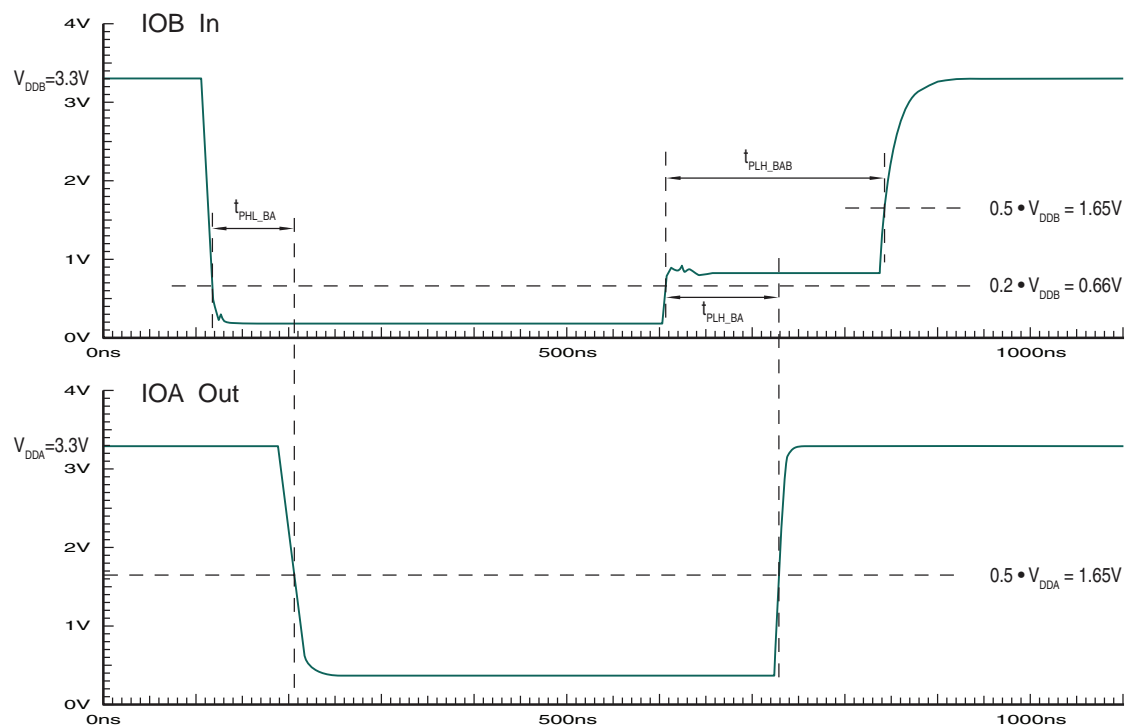
<sup>1</sup> Refer to "Side A to Side B Switching Waveforms" on page 6

<sup>2</sup> Refer to "IOB to IOA Switching Waveforms" on page 6

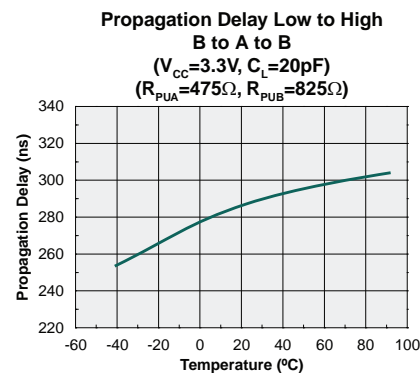
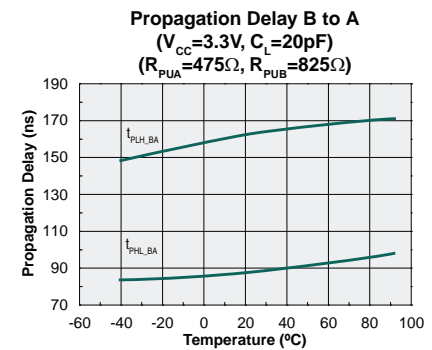
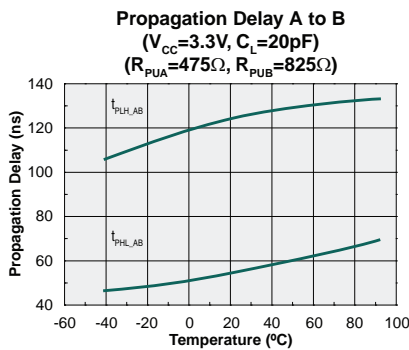
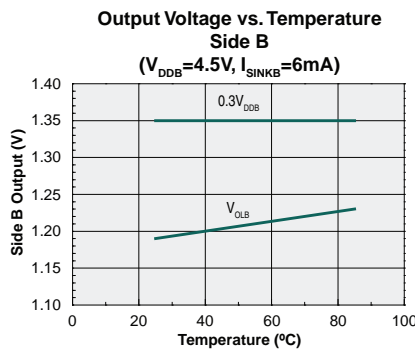
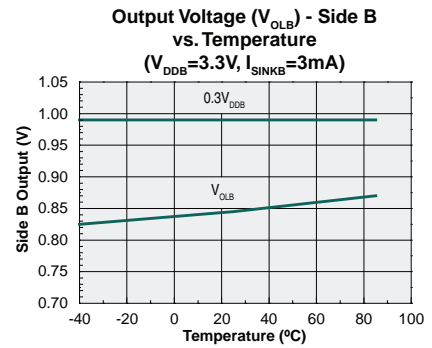
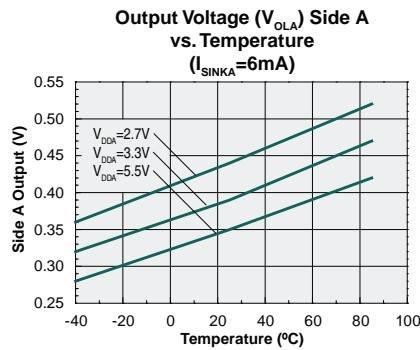
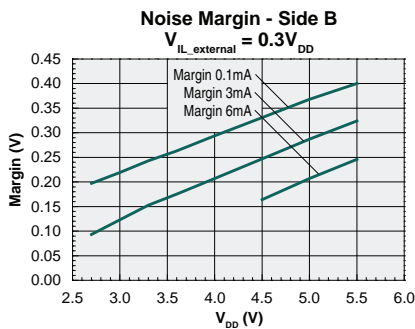
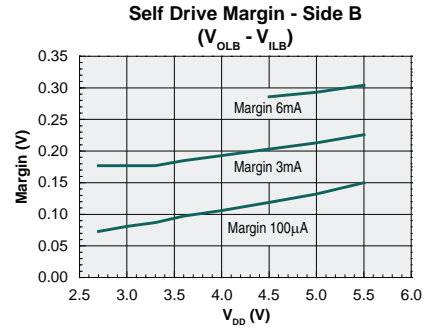
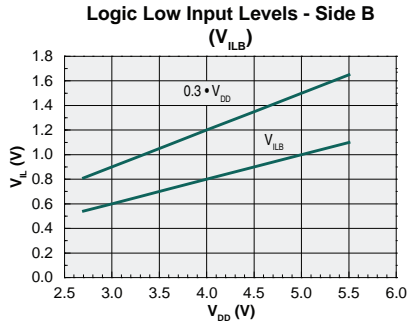
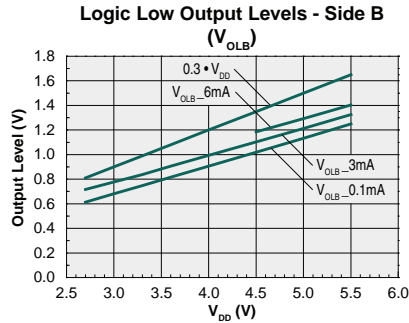
1.9 Side A to Side B Switching Waveforms



1.10 IOB to IOA Switching Waveforms



## 2 Performance Data\*



\*Unless otherwise noted, data presented in these graphs is typical of device operation at 25°C.

For guaranteed parameters not indicated in the written specifications, please contact our applications department.

## 3 Functional Description

### 3.1 Introduction

The CPC5903 combines the features of multiple logic optoisolators and an I<sup>2</sup>C bus repeater in a single 8-pin package. It offers excellent isolation (3750V<sub>rms</sub>) and speed sufficient to support I<sup>2</sup>C Fast-mode at 400kbps. It bidirectionally buffers the I<sup>2</sup>C data signal across the isolation barrier, and unidirectionally buffers the clock from Side A to Side B. If different supply voltage levels are used at each side, then the part, in conjunction with its external pull-up resistors, will perform logic level translation for V<sub>DD</sub> between 2.7V and 5.5V at either side. Due to the unidirectional nature of the clock buffer it is required that the bus master be connected to Side A of the CPC5903.

Configured with one bidirectional channel and one unidirectional channel, the CPC5903 is ideal for systems that do not implement clock stretching or have bus masters on the Side B bus. This provides a savings in supply current compared with using a dual bidirectional isolator, but at the cost of losing the ability to implement a Side B bus master or clock-stretching in the future.

Like available non-galvanically isolating I<sup>2</sup>C bus repeaters, the CPC5903 has a full-drive side (Side A) and a limited-drive side (Side B).

On Side B, IOB is a voltage-limited output driver with a reduced logic low input voltage threshold (V<sub>IL</sub>). An internally set voltage limit prevents IOB from driving to a V<sub>OL</sub> level it will accept as a input logic low. This guarantees the bidirectional buffer cannot drive itself into a latched logic low condition, which would cause I<sup>2</sup>C bus contention. IOB is specified with a minimum V<sub>OL</sub>-V<sub>IL</sub> margin of 25mV at minimum V<sub>DDB</sub>, and exhibits a proportionately larger self-drive margin with larger V<sub>DDB</sub>.

IOA, the bidirectional buffer on Side A, is rated as a full strength (6mA), FAST-mode driver over the full V<sub>DDB</sub> range with input thresholds specified as FAST-mode compliant; thus the IOA output will drive the full 400pF Fast-mode C<sub>LOAD</sub> and is allowed to drive its own input to a logic low.

### 3.2 Fast-mode Operation

Fast-mode operation of the CPC5903 bidirectional interface on Side A is available over the full operational range of the device. While Side B operation is Standard-mode compliant over the full operational range of the device, it is Fast-mode speed capable whenever the bus loading is limited to 200pF. Full Fast-mode compatible operation of the Side B bus is available whenever V<sub>DDB</sub> is 4.5V or greater.

### 3.3 Logic Input Thresholds and Output Levels

Because Side A is Fast-mode compliant, its inputs IOA and IA have logic threshold levels and frequency performance compliant with traditional I<sup>2</sup>C bus interface devices. Additionally, the output capability of IOA is Fast-mode compliant over the entire operational range.

The output levels of OB and IOB are compatible with traditional I<sup>2</sup>C bus interface devices, but are voltage-limited. The input logic low threshold level of IOB is configured lower than traditional I<sup>2</sup>C devices and lower than its own output logic low level. This eliminates the possibility of the IOB output driver acquiring an IOB input logic low, which would result in a latched logic low state.

Because Side B of the CPC5903 utilizes a modified logic low threshold level, only one such device is allowed on the Side B bus. Side A has no such restriction as this side of the CPC5903 uses traditional logic thresholds. This allows for cascaded isolation by connecting the Side B of one CPC5903 to Side A of the next.

Devices meeting the I<sup>2</sup>C specification are easily able to drive the IOB input below the CPC5903's lower V<sub>IL</sub> (0.2V<sub>DDB</sub>) threshold at the Side B input, and will correctly accept the Side B driven data, thereby enabling Side B bidirectional communication.

### 3.4 Pull-Up Resistor Selection

Pull-up resistors are required on both sides of the barrier. Selecting the value of the pull-up resistors is dependent on the end product's design criteria and the operational characteristics of the CPC5903.



On Side A of the CPC5903, pull-ups chosen for Fast-mode (up to 6mA) drivers can be used with no loss of noise margin.

At the Side B outputs, OB and IOB, pull-up resistor values should be chosen for Standard-mode 3mA pull-up current or less when  $V_{DDB} < 4.5V$ . Additionally, because  $V_{IL}$  at Side B is  $0.2V_{DDB}$ , the pull-up resistor on IOB must be large enough that the weakest driver on the Side B bus can pull the voltage reliably below  $0.2V_{DDB}$ . When  $V_{DDB} \geq 4.5V$ , the CPC5903 Side B outputs will drive up to 6mA, and resistor pull-ups chosen for up to 6mA can be used, provided all the other devices on the bus have sufficient drive.

### 3.5 Pulse Propagation, Stretching and Delays

Due to glitch protection circuitry within the CPC5903 applying a pulse at the IOB input inherently involves the use of the output driver at that I/O. Once an asserted signal at IOB is determined to be valid, it is stretched until it's transmission through the optics has been verified. This insures that there will be no extra edges generated at either side due to optic delays. If a Side B asserted-low pulse is long enough to be accepted and passed to Side A, then the flip-flop at Side B is set and remains set until the signal returns through the optics from Side A. While the flip-flop is set, IOB will output a voltage limited logic low, thereby holding the bus at a logic low.

In operation, a valid asserted pulse of less than 80ns applied at IOB appears at Side A after a delay largely determined by the low-pass filter delay ( $t_{FIL}$ ) and the optics delay ( $t_{OPHL\_BA}$ ). After this initial delay the Side A driver IOA is activated and a logic low is asserted at time:

$$t_{STARTA} = t_{FIL} + t_{OPHL\_BA}$$

That assertion is returned across the optics to Side B after a delay largely determined by  $t_{OPLH\_AB}$ . Upon arriving at Side B, the flip-flop is cleared with the incoming signal from Side A sustaining the IOB voltage limited logic low. With the prior loss of the asserted logic low by the external I<sup>2</sup>C device, and because the IOB input does not accept it's own output low as valid, a deassertion is sent through the optics to Side A, arriving at the Side A output after a delay largely determined by  $t_{OPLH\_BA}$  at time:

$$t_{ENDA} = t_{FIL} + t_{OPHL\_BA} + t_{OPHL\_AB} + t_{OPLH\_BA}$$

Thus a valid Side B pulse having a width less than 80ns is stretched at Side A to a typical width of 125ns. The duration of the pulse width output onto the Side A bus is given by:

$$t_{PWA\_min} = (t_{OPHL\_AB} + t_{OPLH\_BA})$$

When Side A is deasserted, the output rises at a slew rate determined by the RC load on IOA, and passes the logic threshold after time  $t_{SLEWA}$ . The deasserted (logic HIGH) input propagates through the optics and deasserts the Side B output after a delay largely determined by  $t_{OPLH\_AB}$ . Side B deassertion occurs at time  $t_{ENDB}$  given by:

$$t_{ENDB} = t_{ENDA} + t_{SLEWA} + t_{OPLH\_AB}$$

Consequently at Side B input, an applied pulse of less than 80ns is stretched to:

$$t_{PWB\_min} = t_{FIL} + t_{OPHL\_BA} + t_{OPHL\_AB} + t_{OPLH\_BA} + t_{SLEWA} + t_{OPLH\_AB}$$

which is typically 330ns. More importantly, only one pulse is seen at both ports, with no extra or missing clock or data edges, assuring bus integrity.

Pulses of width larger than approximately 80ns applied to the Side B input do not utilize the flip-flop to terminate the pulse, but do need to propagate to Side A and then back to Side B when returning high after being asserted low. The Side A pulse width is given by the usual pulse width distortion relation:

$$t_{PWA\_nom} = t_{PULSE} + t_{PLH\_BA} - t_{PHL\_BA}$$

which is typically  $t_{PULSE} + 75ns$ . Note that  $t_{PLH\_BA}$  and  $t_{PHL\_BA}$  are observed at the external pins, and are provided in the table, "**Electrical Specifications**" on page 4. The pulse at Side B is asserted by an external driver pulling low, and lasts for time  $t_{PULSE}$ . At the end of the pulse, the rising edge passes through the internal filter with delay  $t_{FIL}$ , then is applied to the LED and received at Side A  $t_{OPLH\_BA}$  later. After time  $t_{SLEWA}$  the output at Side A crosses the logic high threshold causing the Side A LED drive to deactivate, which propagates the deasserted state back to Side B with a delay of  $t_{OPLH\_AB}$ .

Thus normal-width pulses of width  $t_{PULSE}$  applied at IOB exhibit a stretched pulse width of:

$$t_{PWB\_nom} = t_{PULSE} + t_{FIL} + t_{OPLH\_BA} + t_{SLEWA} + t_{OPLH\_AB}$$

at IOB, which is also given by:

$$t_{PWB\_nom} = t_{PULSE} + t_{PHL\_BAB}$$

and is typically  $t_{PULSE} + 290ns$ .

Side A receivers have been designed to exhibit a significant amount of hysteresis, which helps to eliminate false clocking. They have not been internally low-pass filtered beyond the filtering inherent within the optical channel. When the I<sup>2</sup>C bus is terminated for maximum bandwidth (6mA pullups and minimal capacitance), the receivers typically will respond to pulses greater than 12ns. If additional filtering is desired, then externally increasing the load capacitance of the I<sup>2</sup>C lines, until the amount of time the offending signal spends above/below  $V_{DD}/2$  is less than 10ns, will reject the signal at the expense of increasing rise and fall times.

The Side B receiver does implement some hysteresis and low-pass filtering in addition to the optics. An asserted pulse typically needs to be held below  $0.2V_{DD}$  for 15ns before it is accepted at the Side B input. This may require a 30ns pulse applied by a typical driver with just 20pF loading the I<sup>2</sup>C lines.

While any very short pulse stretched to the minimum time above would seem to cause a large amount of pulse width distortion, within 400kHz Fast-mode I<sup>2</sup>C, the shortest allowable signal or clock asserted low time is 1.3μs. Neither Standard-mode nor Fast-mode variants include any legal signals that are less than 80ns (typ); thus the  $t_{PWA\_nom}$  and  $t_{PWB\_nom}$  equations above always apply. The pulse width on valid longer pulses receives less stretching and is proportionally less noticeable. For example the Fast-mode minimum clock low time of 1.3μs when applied at Side B would typically be seen as a 1.375μs pulse at Side A and will be stretched to a length of 1.59μs for other devices on the Side B bus.

Internal filtering and the flip-flop at IOB are used to ensure that an equal number of pulse edges are seen at both sides of the isolation barrier when Side B is driven. When a signal at IOB is asserted low, the flip-flop self-drives the IOB pin until the optical channel back from Side A proves that Side A has successfully been asserted. While this is generally a welcome error reduction feature and is especially useful on the side with nonstandard levels, it does need to be considered

when assigning Side A and Side B ports. If Side A is not powered up, then the signal back from Side A will not appear until after Side A has been powered, and the signal at Side B will be stretched until that time. Side A uses filtered hysteresis at its standard inputs, not pulse stretching, to defeat sub-minimum-size pulses. Thus that side of the isolation barrier, which will be the bus master at power-up, should be assigned to Side A.

### 3.6 Start-Up

Upon startup and with loss of  $V_{DDx}$ , internal circuitry place the outputs in the deasserted Hi-Z state.

### 3.7 Power Supply Decoupling and Noise

There are no special power supply decoupling requirements for the CPC5903. Additionally, because the CPC5903 uses optical coupling to transfer clock and data across the barrier there are no internal clocking circuits requiring special layout or noise reduction techniques to maintain EMI and RFI compliance.

## 4 Design Considerations

The minimum value of the pull-up resistor,  $R_{PU}$ , on the I<sup>2</sup>C bus is chosen based upon the expected  $V_{DD}$  supply voltage range and the weakest load current sinking device on the bus. Note: Systems that do not need maximum bandwidth and busses with lower capacitive loading can use a higher value for the pull-up resistor to reduce power consumption.

### 4.1 Side A Pull-Up Resistors: $R_{PUA}$

The weakest I<sup>2</sup>C compliant device on the Side A bus, with  $R_{PUA}$  to  $V_{DDA}$ , must be able to pull the Side A inputs below 0.4V for outputs rated at 3mA or 0.6V for outputs rated at 6mA when  $V_{DDA}$  is at its maximum.

For example, if the weakest device is only guaranteed to sink 3mA then the maximum allowed logic low output voltage will be 0.4V. For designs with  $V_{DDA\_max} = 3.6V$ , the minimum voltage across the pull-up resistor is:

$$\text{Minimum } R_{PUA} \text{ Voltage} = 3.6 - 0.4 = 3.2V$$

For the I<sup>2</sup>C minimum current sink requirement of 3mA, the minimum value of the pull-up resistor is easily calculated as:

$$R_{PUA\_min} = 3.2V / 3mA = 1066.7\Omega$$

Choose a standard value resistor that will not violate this minimum value over tolerance and temperature, such as a 1.1k $\Omega$ , 1% tolerance, 100ppm/ $^{\circ}$ C temperature coefficient resistor.

If all the non-CPC5903 devices on the Side A bus are Fast-mode compliant (400pF capacitive loading capable) with the required 6mA current sink capability, then the bus can be configured for Fast-mode. Resistor selection for Fast-mode is similar to the example given above but because the logic low output level is greater (0.6V) then the voltage across the pull-up resistor will be less. Calculation of the compliant Fast-mode bus minimum pull-up resistor value is given by:

$$R_{PUA\_min} = (3.6 - 0.6)V / 6mA = 500\Omega$$

The minimum E96 standard value 1% tolerance, 100ppm/ $^{\circ}$ C temperature coefficient resistor is 511 $\Omega$ .

### 4.2 Side B Pull-Up Resistors

Calculating the pull-up resistor for Side B is similar to the process used for Side A but with some additional considerations.

Before proceeding, it must be pointed out that Side B of the CPC5903 is Fast-mode compliant with  $V_{DDB} \geq 4.5V$ . This means the CPC5903 Side B outputs are 6mA capable, allowing bus operation of 400kb/s with up to 400pF of capacitive loading. For  $V_{DDB}$  supply levels below 4.5V the CPC5903 outputs are only rated for 3mA, but can be operated at Fast-mode speeds of 400kb/s whenever the bus capacitive loading  $C_{LOAD} \leq 200pF$ . Greater capacitive loading of the Side B bus limits the CPC5903 to data rates of 100kb/s.

First, it must be determined if the Side B bus will be configured for 3mA or 6mA operation. This is done by evaluating the external (non-CPC5903) devices on the Side B bus and the operational capabilities of the CPC5903. There are three possibilities:

- 1) One or more of the external devices is limited to 3mA of output current sink.
- 2) All of the external devices are rated at 6mA of output current sink and the Side B minimum supply voltage  $V_{DDB} < 4.5V$ .
- 3) All of the external devices are rated at 6mA of output current sink and the Side B minimum supply voltage  $V_{DDB} \geq 4.5V$ .

For conditions 1 and 2 above the bus must be configured for 3mA. Condition 3 is the only situation where the bus can be configured for 6mA, a Fast-mode requirement when capacitive bus loading is an issue.

#### 4.2.1 OB Pull-Up resistor: $R_{PU-OB}$

Selecting the pull-up resistor for the OB bus is based upon the manner in which the bus is expected to operate within the restrictions listed above. Although the additional design considerations discussed below for selecting the IOB pull-up resistor,  $R_{PUB}$ , are not applicable to the OB pull-up resistor, the Side B pull-up resistors should have the same value to minimize skew between the clock and data. Therefore, setting  $R_{PU-OB} = R_{PUB}$  is recommended.

#### 4.2.2 IOB Pull-Up Resistor: $R_{PUB}$

For the bidirectional buffer, it is necessary to configure the IOB bus to be compatible with the CPC5903's lower logic low input threshold:

$$V_{ILB} = 0.2 \cdot V_{DDB} - 60mV$$

As discussed earlier, this lower input threshold requirement is to ensure the CPC5903 can drive a logic low output that is recognized by the other I<sup>2</sup>C devices on the bus, but will not accept its own logic low output. This prevents latching of the CPC5903. Additionally, this implies there can be no more than one limited drive (Side B) CPC5903 interface on the IOB bus, and that all other devices on the bus must have  $V_{IL} = 0.3 \cdot V_{DDB}$  logic low input thresholds. Because the CPC5903 Side A inputs are compatible with this requirement, any number of CPC5903 Side A devices may be connected to the Side B bus.

For all modes, the minimum required voltage drop across the IOB pull-up resistor at  $V_{DDB\_max}$  by the external non-CPC5903 I<sup>2</sup>C bus drivers is:

$$\begin{aligned} \text{Minimum } R_{PUB} \text{ Voltage} &= V_{DDB\_max} - (0.2 \cdot V_{DDB\_max} - 60mV) \\ &= 0.8 \cdot V_{DDB\_max} + 60mV \end{aligned}$$

which gives the calculation for the minimum value of the pull-up resistor as:

$$R_{PUB\_min} = (0.8 \cdot V_{DDB\_max} + 60mV) / I_{OL}$$

where  $I_{OL}$  is the guaranteed logic low drive current of the non-CPC5903 bus drivers.

For Standard-mode designs, with output drivers rated at 3mA and a maximum supply voltage of 3.6V, the minimum value of the pull-up resistor is:

$$R_{PUB\_min} = (0.8 \cdot 3.6 + 60mV) / 3mA = 980\Omega$$

The minimal standard value 1% resistor with a 100ppm/°C temperature coefficient that will not go below the calculated minimum due to tolerance and temperature is 1kΩ.

In Fast-mode designs with 6mA capable output drivers and a supply voltage maximum of 5.5V, the minimum Fast-mode pull-up resistor value is calculated to be:

$$R_{PUB\_min} = (0.8 \cdot 5.5 + 60mV) / 6mA = 743.3\Omega$$

For a Fast-mode design with high capacitive bus loading, a 768Ω, 1%, 100ppm/°C resistor would suffice. When the bus does not have a heavy capacitive load, a larger value pull-up resistor can be used thereby reducing overall power consumption.

## 5 Manufacturing Information

### 5.1 Moisture Sensitivity



All plastic encapsulated semiconductor packages are susceptible to moisture ingress. IXYS Integrated Circuits classifies its plastic encapsulated devices for moisture sensitivity according to the latest version of the joint industry standard, **IPC/JEDEC J-STD-020**, in force at the time of product evaluation. We test all of our products to the maximum conditions set forth in the standard, and guarantee proper operation of our devices when handled according to the limitations and information in that standard as well as to any limitations set forth in the information or standards referenced below.

Failure to adhere to the warnings or limitations as established by the listed specifications could result in reduced product performance, reduction of operable life, and/or reduction of overall reliability.

This product carries a **Moisture Sensitivity Level (MSL)** classification as shown below, and should be handled according to the requirements of the latest version of the joint industry standard **IPC/JEDEC J-STD-033**.

Device	Moisture Sensitivity Level (MSL) Classification
CPC5903GS	MSL 3

### 5.2 ESD Sensitivity



This product is **ESD Sensitive**, and should be handled according to the industry standard **JESD-625**.

### 5.3 Soldering Profile

Provided in the table below is the **IPC/JEDEC J-STD-020** Classification Temperature ( $T_C$ ) and the maximum dwell time the body temperature of these surface mount devices may be ( $T_C - 5$ )°C or greater. The Classification Temperature sets the Maximum Body Temperature allowed for these devices during reflow soldering processes.

Device	Classification Temperature ( $T_C$ )	Dwell Time ( $t_p$ )	Max Reflow Cycles
CPC5903GS	250°C	30 seconds	3

The maximum wave soldering conditions of through-hole devices is provided in the following table. Dwell time is the time it takes for the pins to pass through both waves.

Device	Wave Temperature	Body Temperature	Dwell Time	Wave Cycles
CPC5903G	260°C	250°C	10 seconds	1

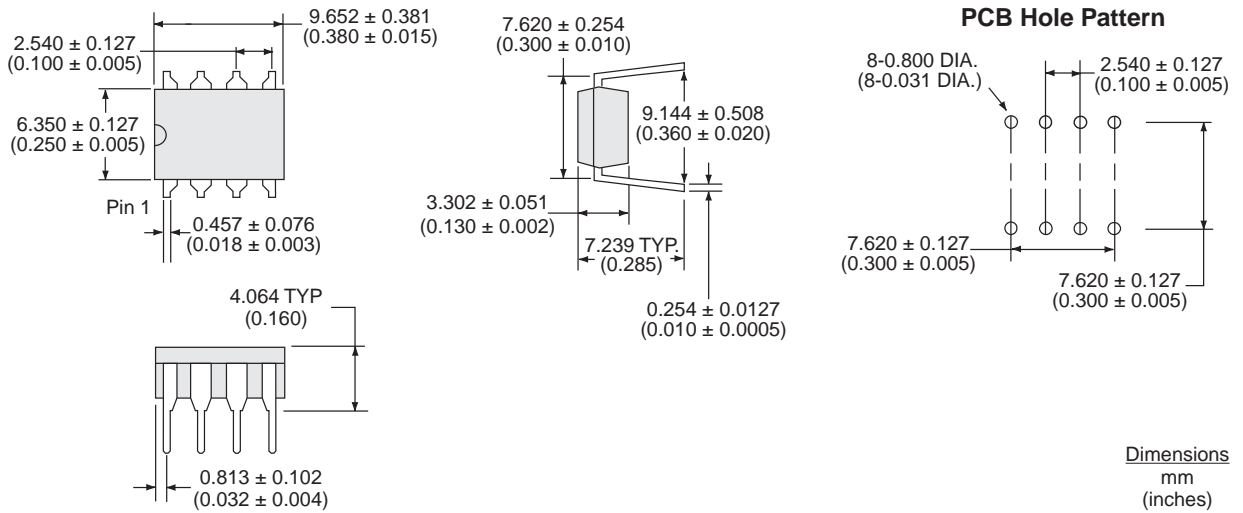
### 5.4 Board Wash

IXYS Integrated Circuits recommends the use of no-clean flux formulations. Board washing to reduce or remove flux residue following the solder reflow process is acceptable provided proper precautions are taken to prevent damage to the device. These precautions include but are not limited to: using a low pressure wash and providing a follow up bake cycle sufficient to remove any moisture trapped within the device due to the washing process. Due to the variability of the wash parameters used to clean the board, determination of the bake temperature and duration necessary to remove the moisture trapped within the package is the responsibility of the user (assembler). Cleaning or drying methods that employ ultrasonic energy may damage the device and should not be used. Additionally, the device must not be exposed to halide flux or solvents that are Chlorine, Bromine, Fluorine, or Iodine-based.

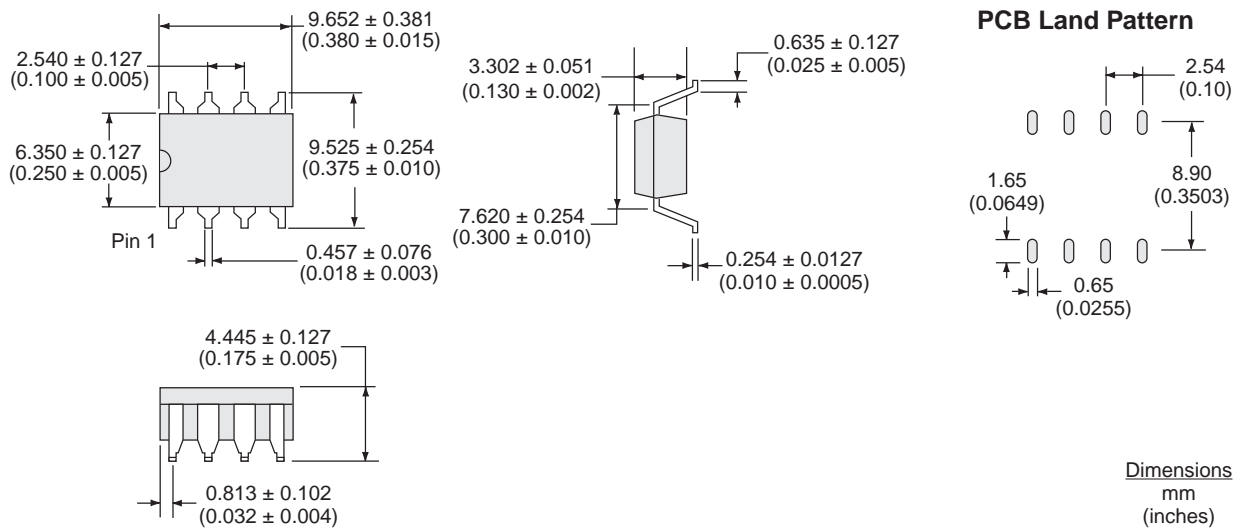


### 5.5 Mechanical Dimensions

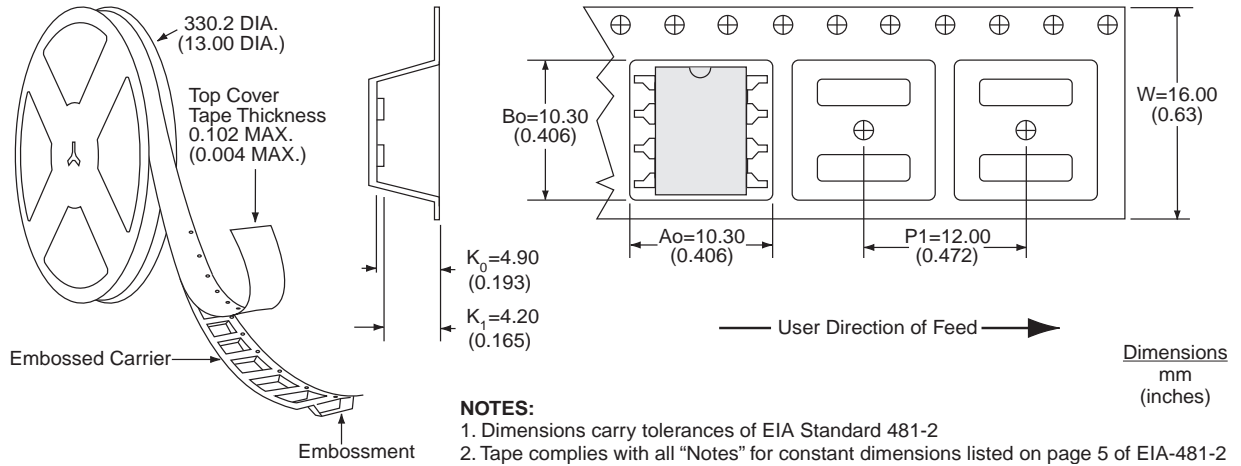
#### 5.5.1 CPC5903G 8-Pin DIP Package



#### 5.5.2 CPC5903GS 8-Pin Surface Mount Package



5.5.3 CPC5903GSTR Tape & Reel Information for Surface Mount Package



For additional information please visit our website at: [www.ixysic.com](http://www.ixysic.com)

*Disclaimer Notice - Littelfuse products are not designed for, and shall not be used for, any purpose (including, without limitation, automotive, military, aerospace, medical, life-saving, life-sustaining or nuclear facility applications, Components intended for surgical implant into the body, or any other application in which the failure or lack of desired operation of the product may result in personal injury, death, or property damage) other than those expressly set forth in applicable Littelfuse product documentation. Warranties granted by Littelfuse shall be deemed void for products used for any purpose not expressly set forth in applicable Littelfuse documentation. Littelfuse shall not be liable for any claims or damages arising out of products used in applications not expressly intended by Littelfuse as set forth in applicable Littelfuse documentation. The sale and use of Littelfuse products is subject to Littelfuse Terms and Conditions of Sale, unless otherwise agreed by Littelfuse. Information furnished is believed to be accurate and reliable. However, users should independently evaluate the suitability of and test each product selected for their own applications. Littelfuse products are not designed for, and may not be used in, all applications.*

Read complete Disclaimer Notice at [www.littelfuse.com/disclaimer-electronics](http://www.littelfuse.com/disclaimer-electronics).

Specification: DS-CPC5903-R03  
 ©Copyright 2019, IXYS Integrated Circuits Division  
 All rights reserved. Printed in USA.  
 9/25/2019