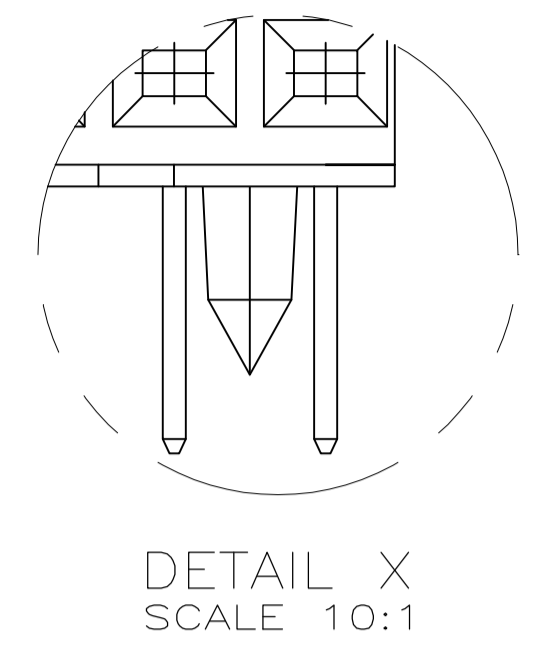
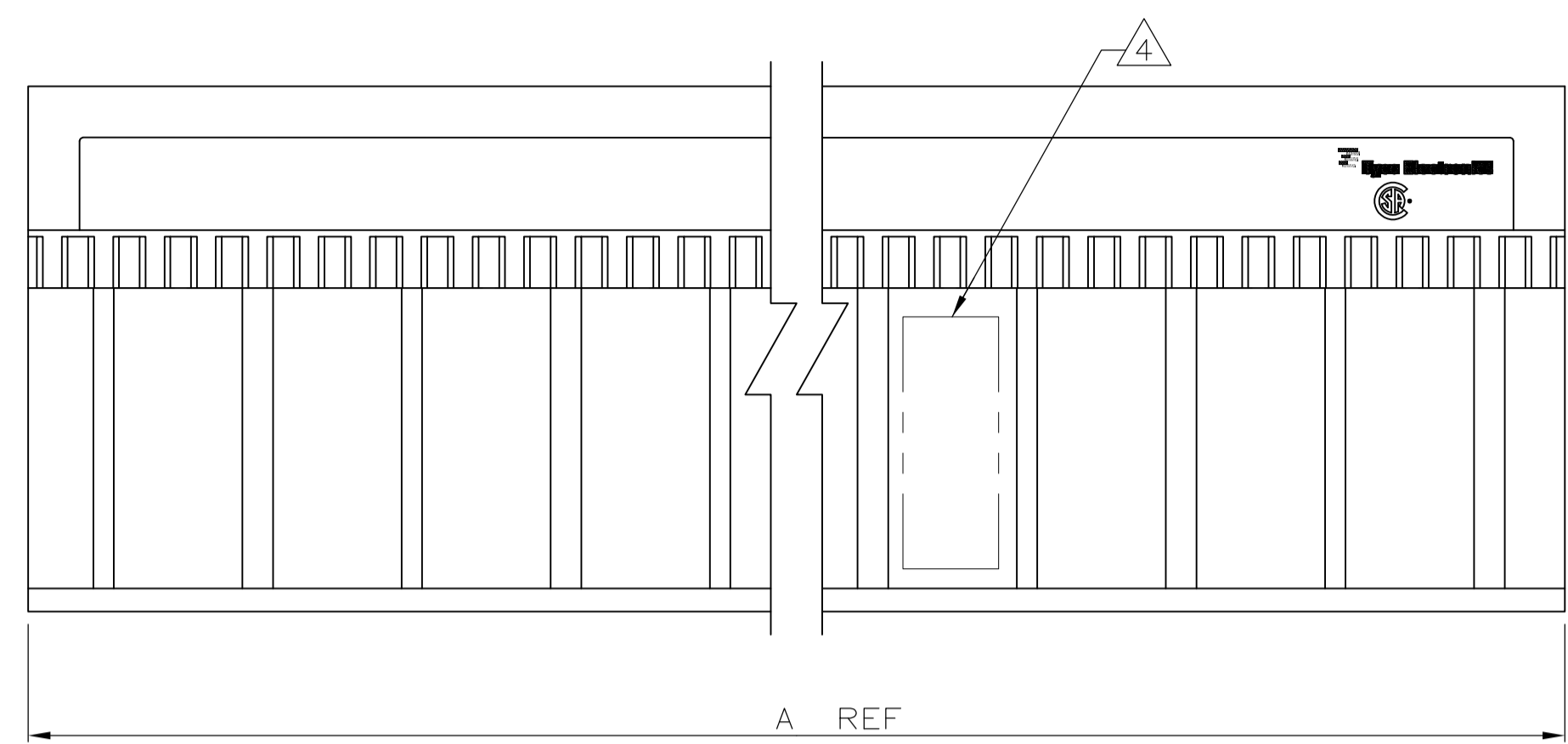
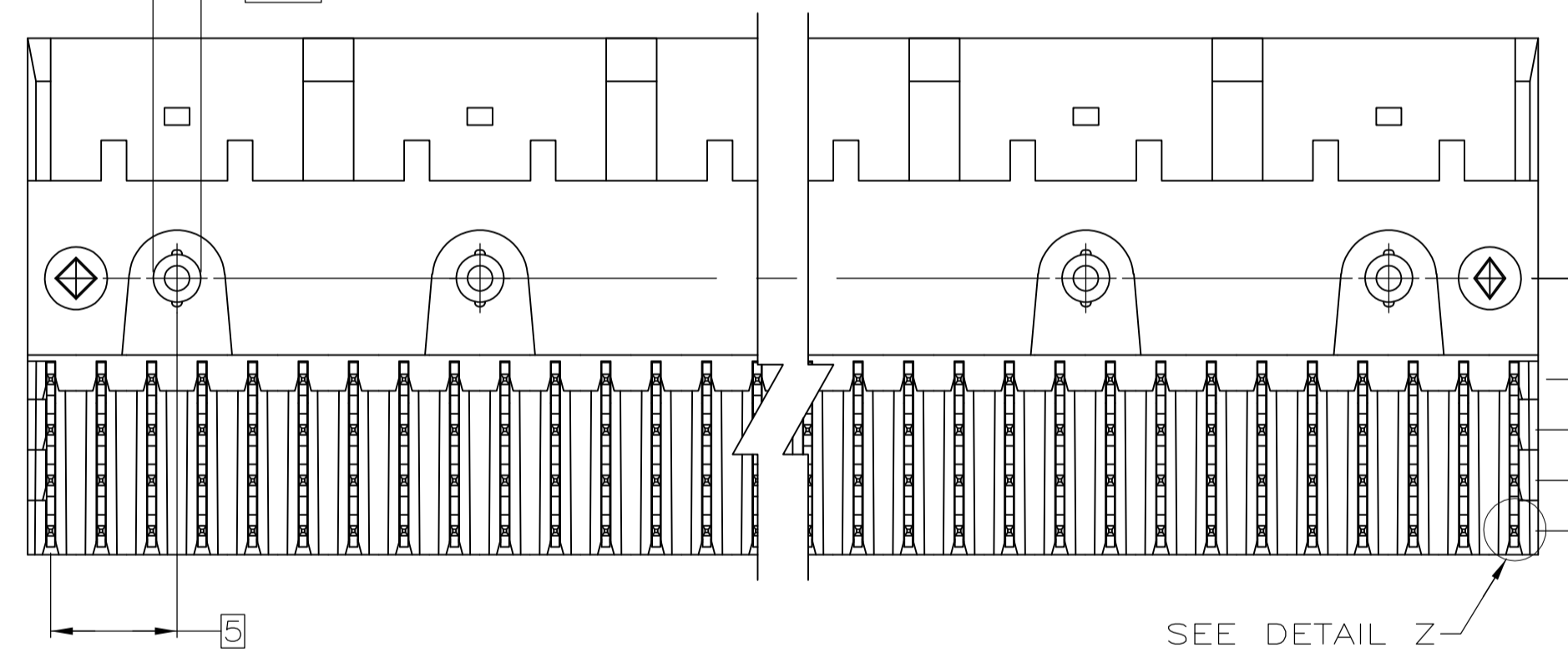
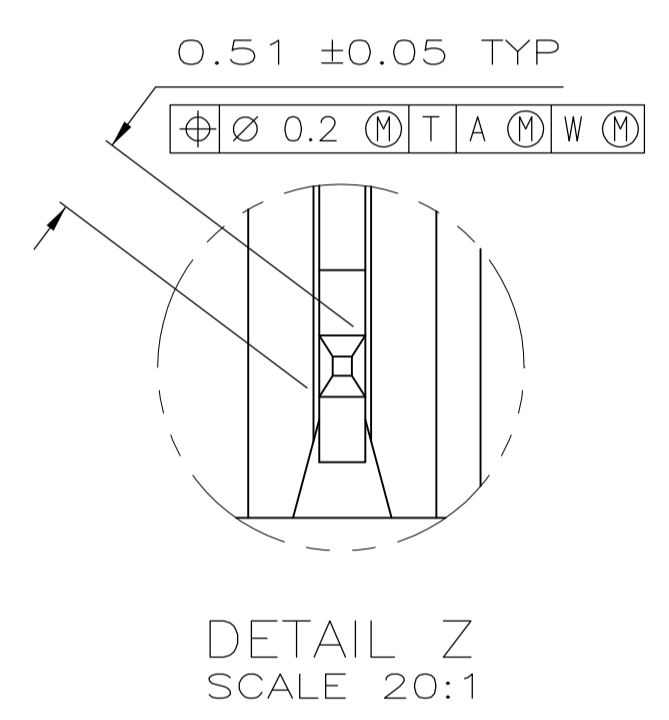
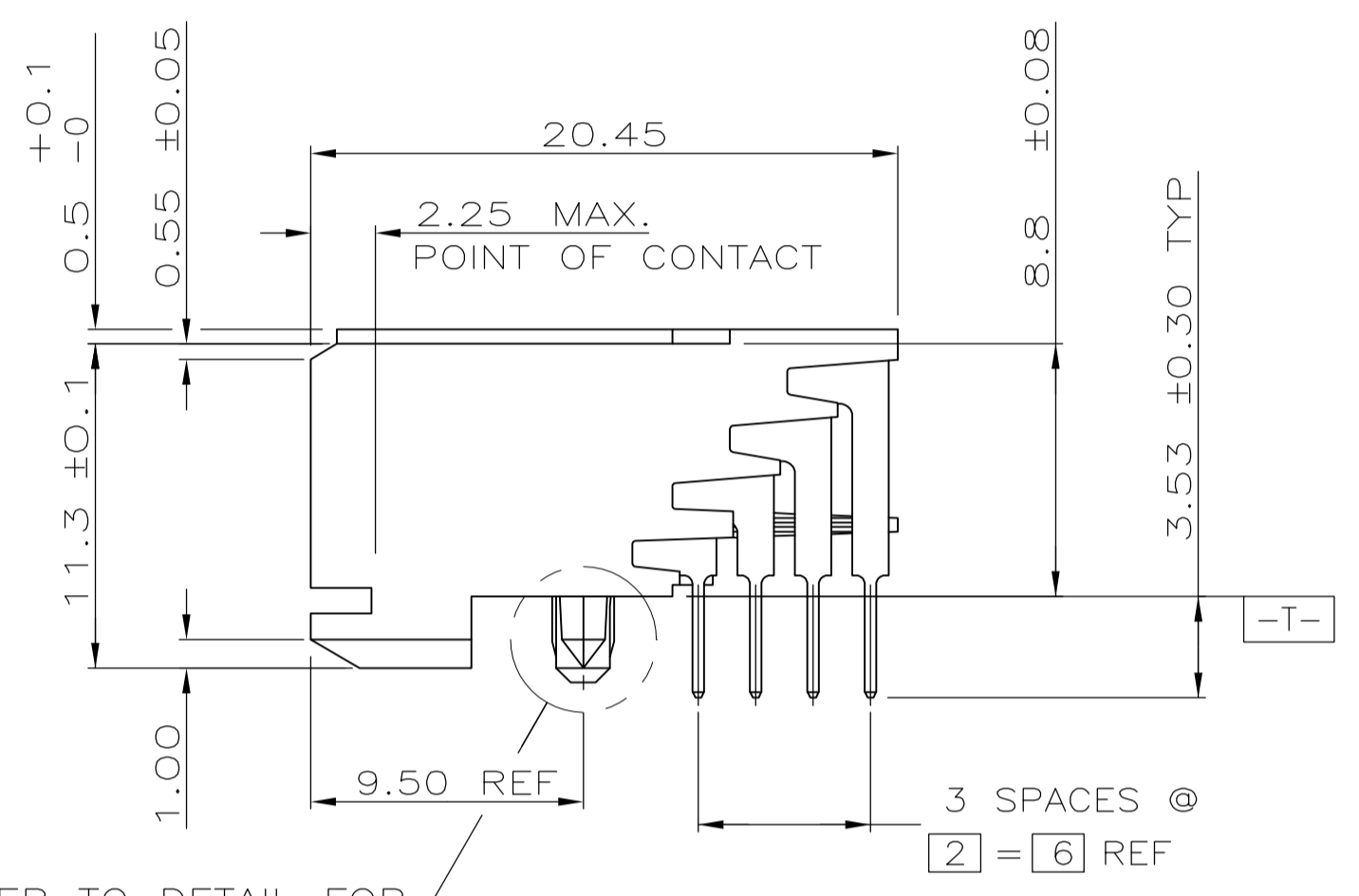
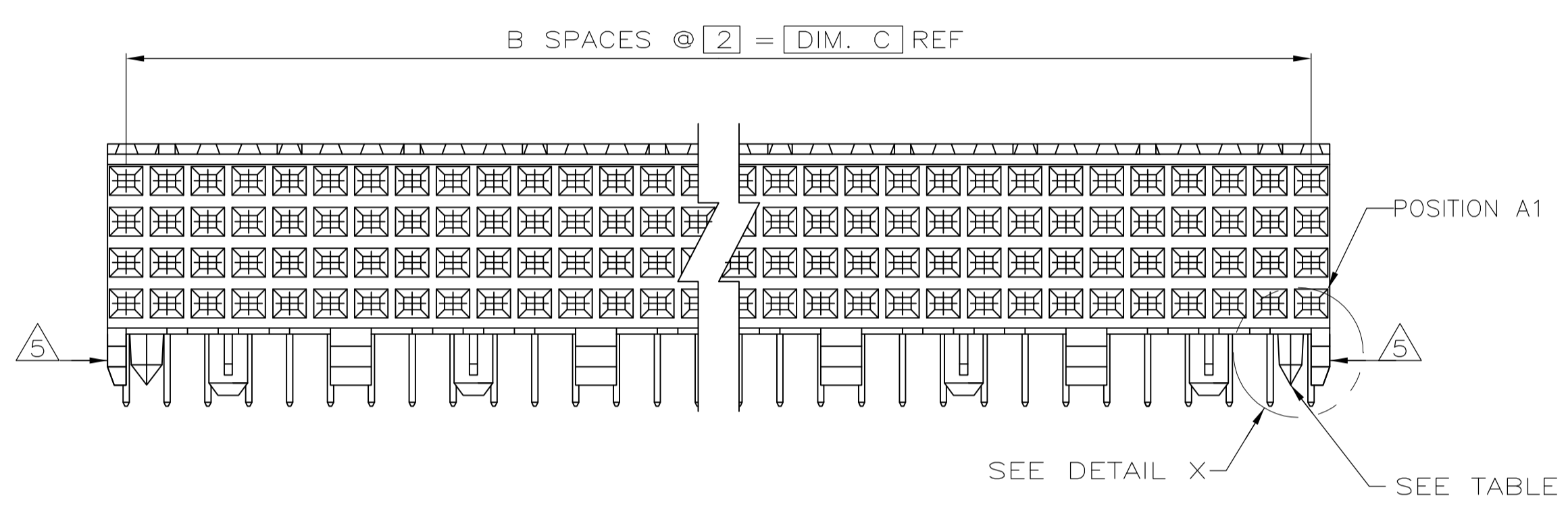


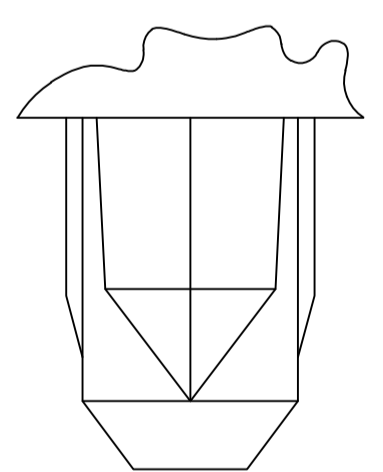
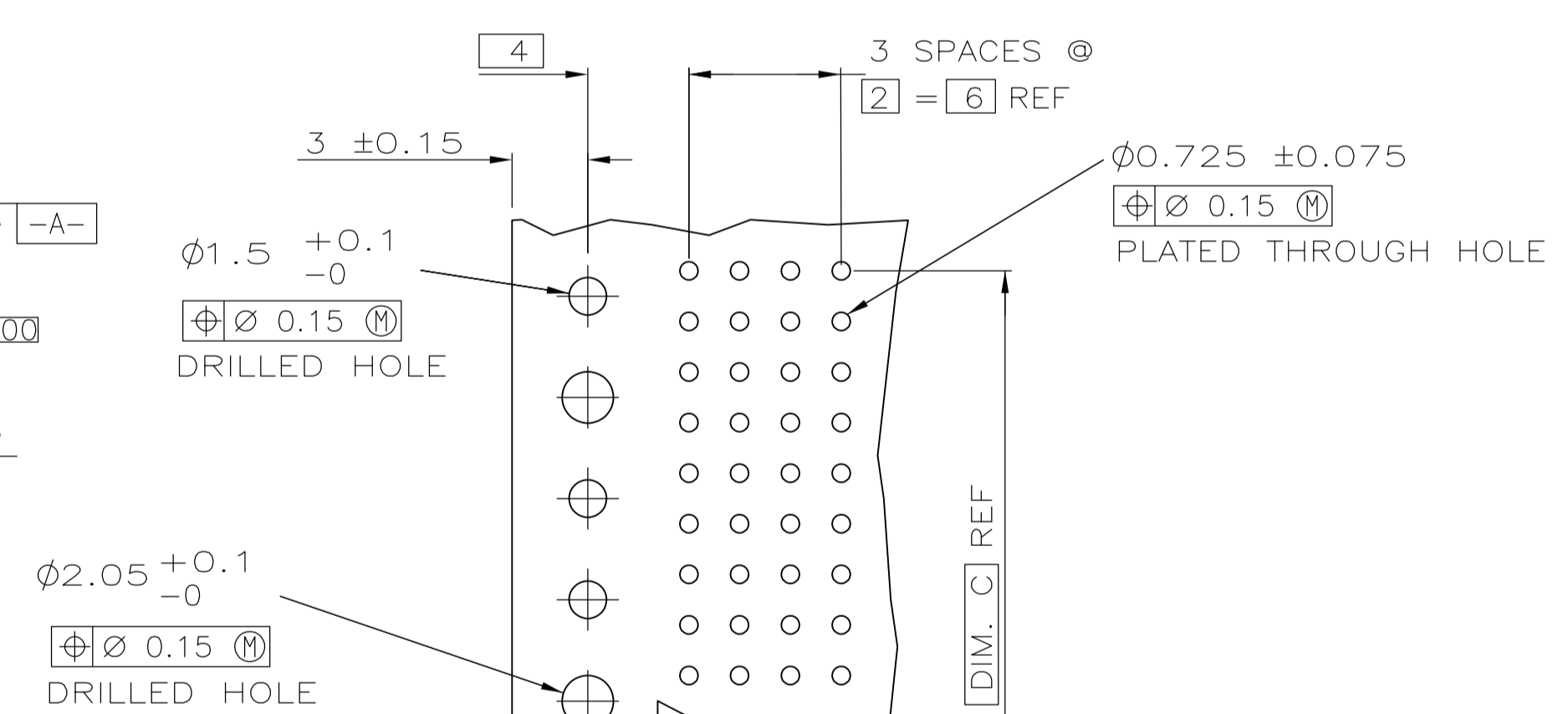
LOC		DIST		REVISIONS			
AD	00	REV	DATE	BY	CHK	APPV	
AD2		REVISED PER ECO-08-009162	17APR08	DH	AS		
AD3		REVISED PER ECO-10-000443	18JAN10	KK	HMR		



- 1 HOUSING MATERIAL: LIQUID CRYSTAL POLYMER. COLOR: NATURAL.
- 2 CONTACT MATERIAL: PHOSPHOR-BRONZE.
- 3 CONTACT FINISH:
 UNDERPLATE (ENTIRE CONTACT) - 0.00127 MIN. NICKEL
 ON MATING SURFACES - CONFORMS TO ALL TESTING SPECIFIED FOR TELCORDIA UNCONTROLLED ENVIRONMENT
 ON LEADS - 0.00381 MIN. TIN-LEAD, OVER UNDERPLATE
 LUBRICATION (ENTIRE CONTACT): SURFACE CONDITIONER PER TYCO SPEC 112-1002 AFTER PLATING.
- 4 PART MARKING PER AMP INCORPORATED SPECIFICATION 115-9009, LOCATED APPROXIMATELY AS SHOWN.
- 5 CUSTOMIZED PART, HOUSING MOLDED WITHOUT END GUIDE LUGS.
- 6 OBSOLETE PART NUMBER.
- 7 OBSOLETE PARTS: OBSOLETE CIS STREAMLINING PER D.RENAUD/D.SINISI



REFER TO DETAIL FOR COLD HOLD CONFIGURATION



TYPICAL COLD HOLD FOR ALL ASSEMBLIES

RECOMMENDED CIRCUIT PATTERN PER IPC-D300 TYPE II, CLASS C (COMPONENT SIDE)

POSITIONING PEGS	C	B	A	FINISH	NO OF POSN	PART NUMBER	
YES	94	47	95.88	3	192	2-536510-4	
YES	46	23	47.88	3	96	2-536510-3	
NO	34	17	35.88	3	72	1-536510-5	
NO	22	11	23.88	3	48	1-536510-4	
NO	94	47	95.88	3	192	1-536510-3	
NO	106	53	107.88	3	216	1-536510-2	
NO	70	35	71.88	3	144	1-536510-1	
NO	130	65	131.88	3	264	1-536510-0	
OBSOLETE	NO	106	53	107.88	3	216	536510-9
OBSOLETE	NO	118	59	119.88	3	240	536510-8
OBSOLETE	NO	82	41	83.88	3	168	536510-7
	NO	58	29	59.88	3	120	536510-6
	NO	70	35	71.88	3	144	536510-5
	NO	94	47	95.88	3	192	536510-4
	NO	46	23	47.88	3	96	536510-3
	NO	22	11	23.88	3	48	536510-2
	YES	10	5	11.88	3	24	536510-1

THIS DRAWING IS A CONTROLLED DOCUMENT.

DIMENSIONS: mm	TOLERANCES UNLESS OTHERWISE SPECIFIED:	DIN J. LOCONDRO 09/04/92	APPROVED S. HEADLER 01/26/93	NAME: D. BAECHTEL 1/26/93	TYCO ELECTRONICS CORPORATION Harrisburg, Pa 17105-3608
0 PLC ± -	1 PLC ± -	2 PLC ± .13	3 PLC ± .13	4 PLC ± -	ANGLES ± -
MATERIAL 1 2	FINISH 3	SIZE A1	CAGE CODE 00779	DRAWING NO. C=536510	RESTRICTED TO
CUSTOMER DRAWING		SCALE 4:1	SHEET 1 of 1	REV AD3	