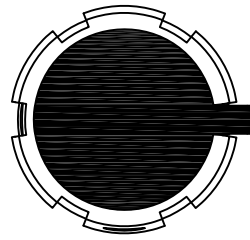
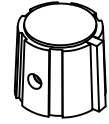
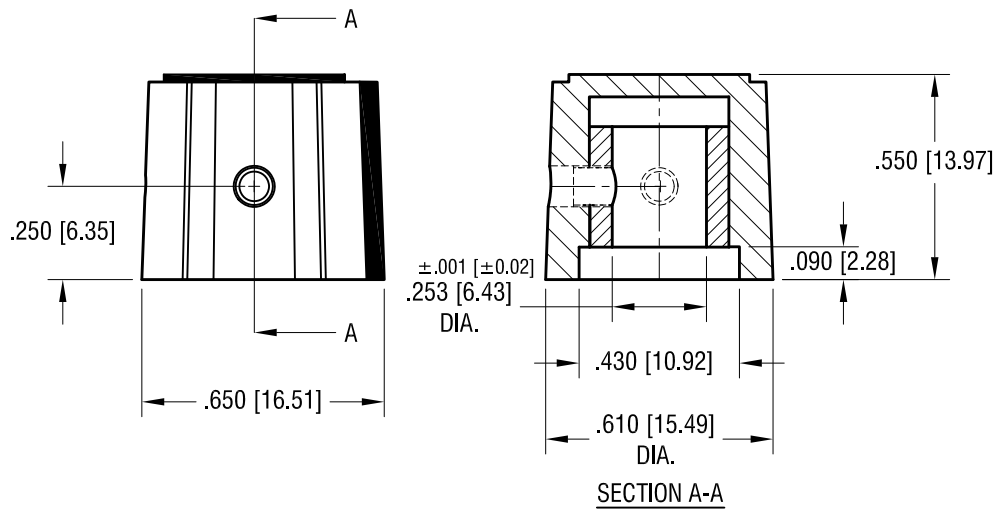


THIS DOCUMENT IS THE PROPERTY OF
KEYSTONE ELECTRONICS CORP. AND
SHALL NOT BE REPRODUCED, DISTRIBUTED
OR USED AS A BASIS FOR MANUFACTURE
WITHOUT PRIOR WRITTEN PERMISSION
FROM KEYSTONE ELECTRONICS CORP.

ACTUAL SIZE



COLOR RING AND POINTER
(SEE COLOR CODE)



NOTES:

1. KNOB: MAT'L:
OUTER SURFACE (FOR GRIPPING) -
THERMOPLASTIC ELASTOMER (TPE)
COLOR- BLACK
INNER CORE- POLYPROPYLENE (PP)
SEE COLOR CODE.
2. INSERT: MAT'L: BRASS, NICKEL PLATE
3. SCREW (2) PLS: MAT'L- STEEL
FINISH: BLACK OXIDE

PART NO.	INNER COLOR
8570	YELLOW
8571	RED
8572	GRAY
8573	BLACK

KEYSTONE ELECTRONICS CORP.			
www.keyelco.com • ASTORIA, N.Y. 11105-2017 • Tel (718) 956-8900			
PART NAME		SOFT- TOUCH KNOB	
MATERIAL		AS NOTED	
FINISH		DRN BY	DATE
AS NOTED		NT	6.25.15
		APP'D	SCALE
		LN	2.5X
TOLERANCES	INCH [MM]	CODE	DWG NO.
DECIMAL	± .010 [± 0.25]	C	8570- 8573
ANGULAR	± 1°		
UNLESS OTHERWISE SPECIFIED			

DATE	DESCRIPTION	REV.	
------	-------------	------	--