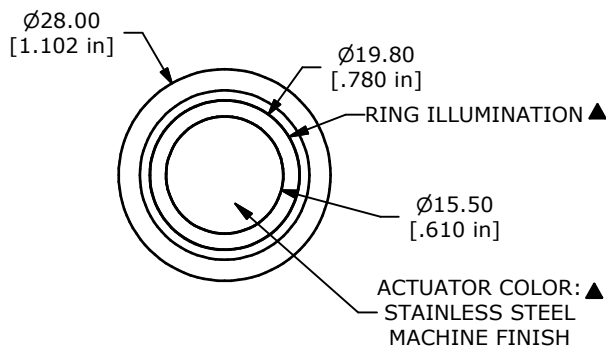


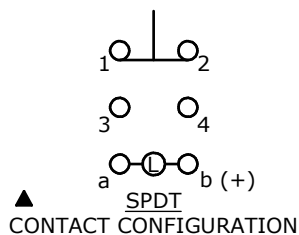
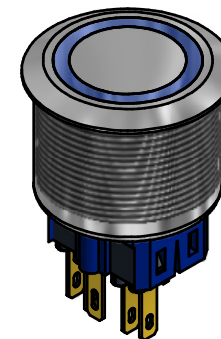
PANEL CUTOUT
MAX. PANEL THICKNESS 10mm

SWITCH FUNCTION ▲	
POS. 1	POS. 2
ON	(ON)
1-2	3-4

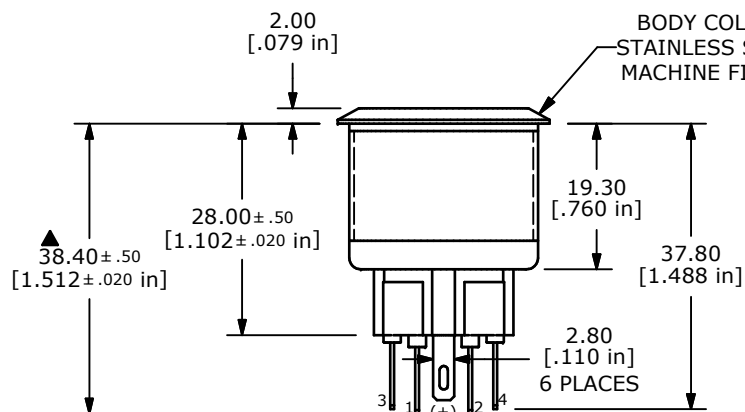
(ON) = MOMENTARY



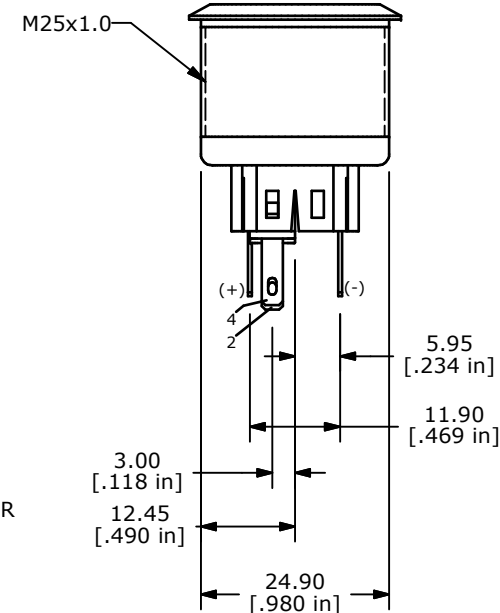
ACTUATOR COLOR: ▲
STAINLESS STEEL
MACHINE FINISH



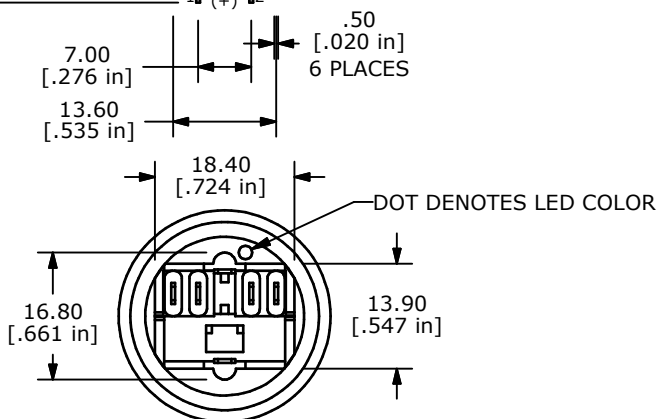
▲ SPDT
CONTACT CONFIGURATION



BODY COLOR: ▲
STAINLESS STEEL
MACHINE FINISH



- NOTE:
- ALL DIMENSIONS IN MM [INCH]
 - GENERAL TOLERANCE: X.X = ± 0.4
X.XX = ± 0.25
 - TERMINAL NOS. FOR REF. ONLY
 - FUNCTION: SPDT
 - RATING: 2A @ 48VDC
 - ILLUMINATION VOLTAGE: 24 V
 - CONTACT RESISTANCE: 50mΩ MAX. @ 1A 12VDC
 - INSULATION RESISTANCE: 1,000MΩ @ 500VDC
 - DIELECTRIC STRENGTH: 2,000VAC MIN. FOR 1 MINUTE
 - ELECTRICAL LIFE: 50,000 CYCLES
 - OPERATING TEMPERATURE: -20°C TO 55°C
 - INGRESS PROTECTION: IP65
 - ▲ DENOTES CRITICAL PARAMETER
 - 2011/65/EU (ROHS) COMPLIANT
 - ILLUMINATION COLOR: WHITE (FORWARD), WHITE (REVERSE)



TITLE PV8F2Y0SS-305

A	21158	RELEASE FOR PRODUCTION	6/21/13	EBP
REV	PCR NO	DESCRIPTION	DATE	BY

THE INFORMATION CONTAINED IN THIS DOCUMENT IS PROPRIETARY TO E-SWITCH AND IS NOT TO BE COPIED OR TRANSFERRED

SCALE	DATE	DR	DWG	REV
	6/21/2013	EBP	52-PV8F2Y0SS305	A