

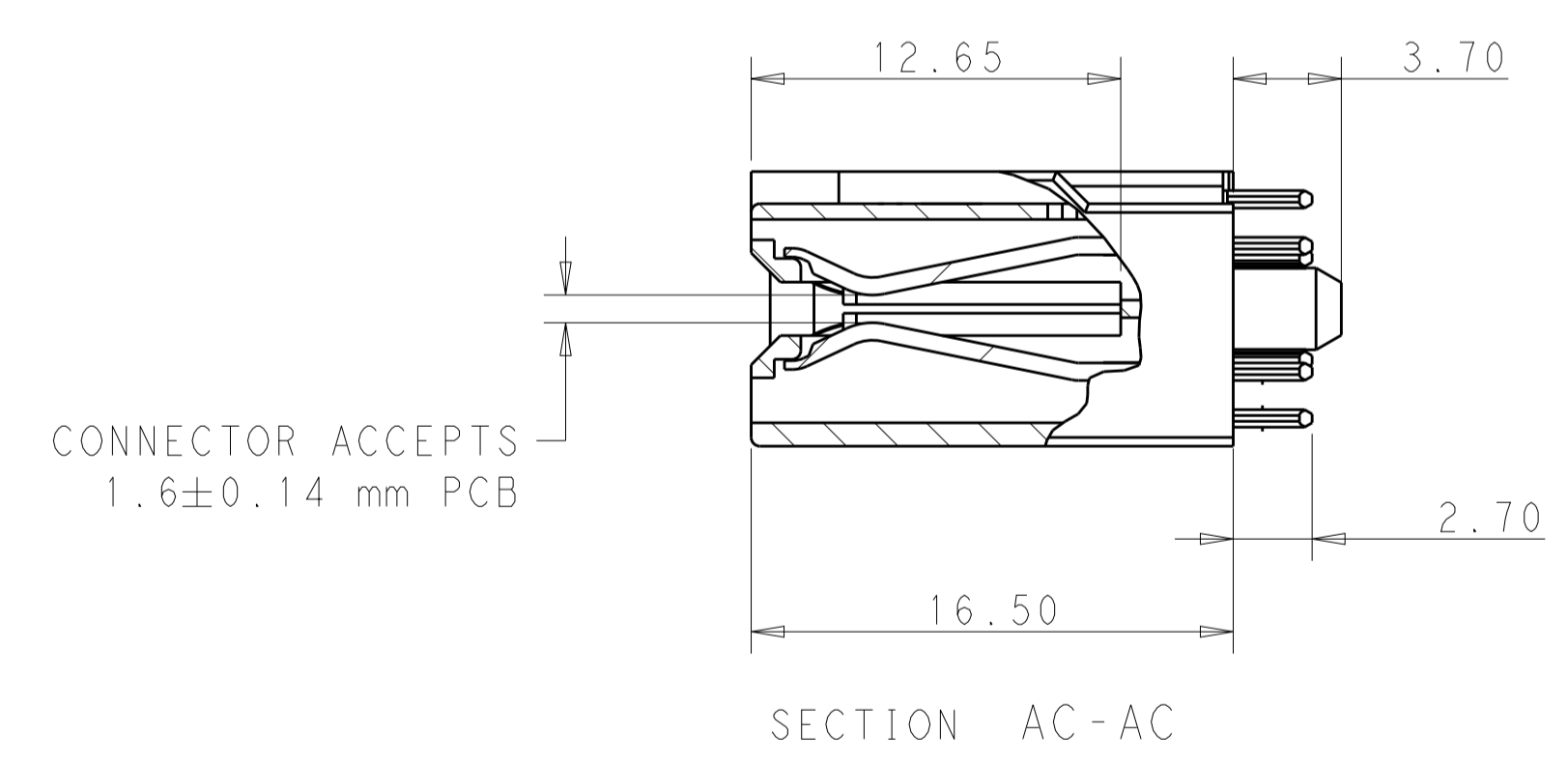
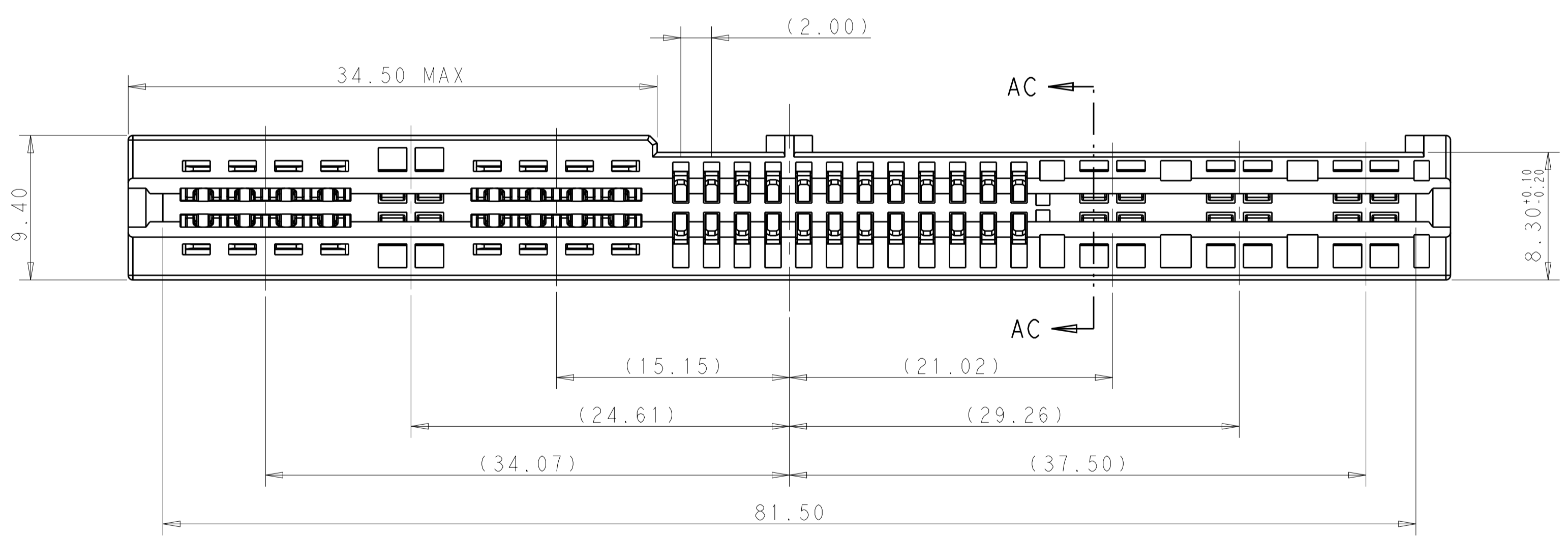
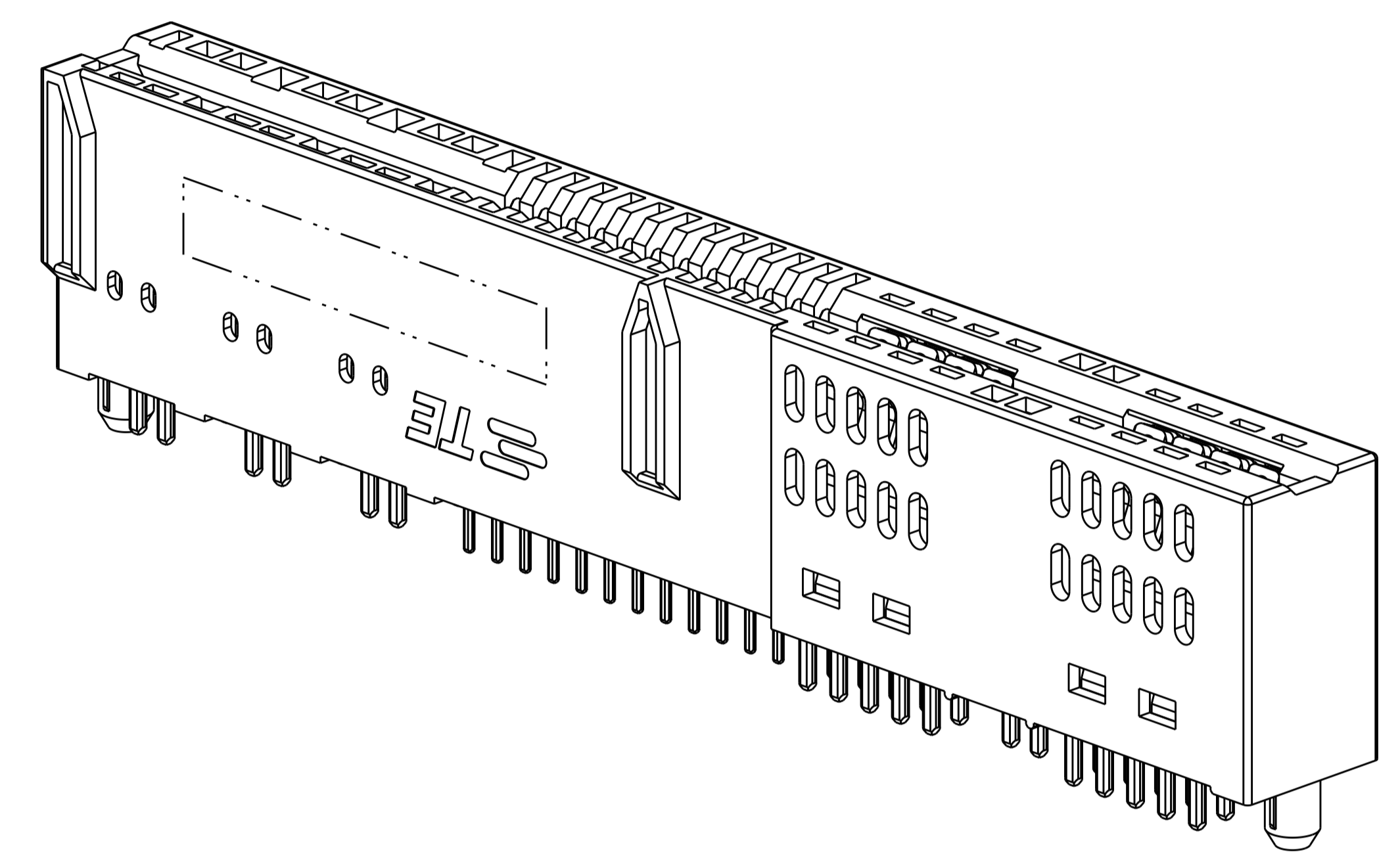
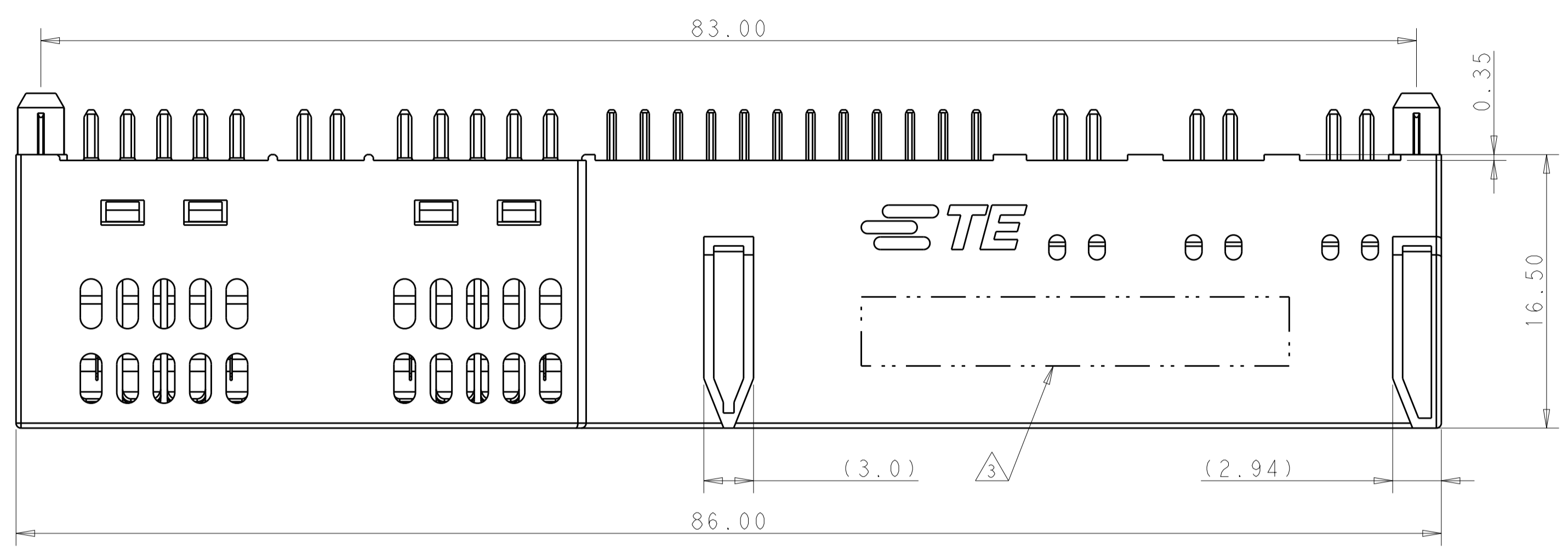
LOC		DIST		REVISIONS			
P	LTN	DESCRIPTION	DATE	DWN	APVD		
A		FIRST RELEASE	08JUN2018	SZ	SZ		

NOTES, UNLESS OTHERWISE SPECIFIED

1. MATERIAL:
 HOUSING - THERMOPLASTIC, GLASS PREINFORCED, COLOR, BLACK, UL 94V-0
 CONTACTS- COPPER ALLOY.

2. FINISH:
 MATING AREA - NOBLE METAL OVERALL NICKEL.
 SOLDER TAIL - MATTE TIN OVERALL NICKEL.

△ MARK P/N AND DATA CODE IN APPROX. AREA AS SHOWN.

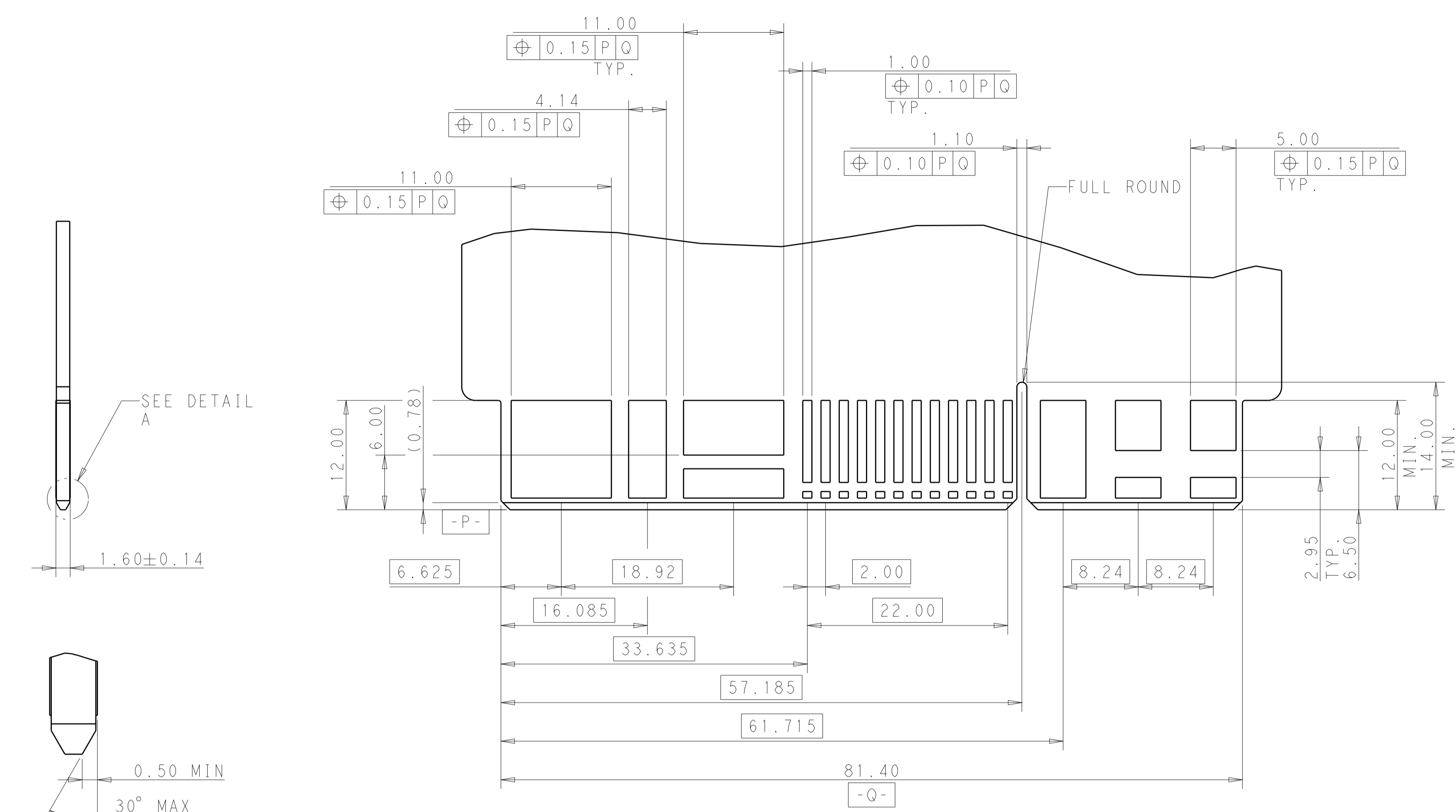


CONNECTOR ACCEPTS
 1.6±0.14 mm PCB

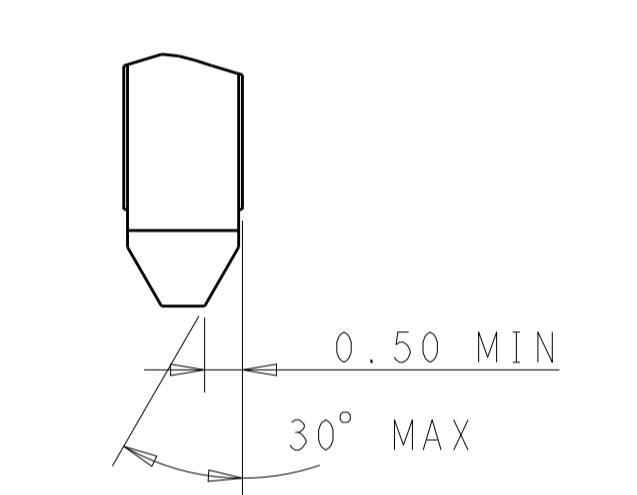
PART NUMBER 2322260-1

THIS DRAWING IS A CONTROLLED DOCUMENT.		DWN: SEAN ZHANG 01SEP2017	TE Connectivity	
DIMENSIONS: mm		CHK: SUNYI ZHAO 01SEP2017	NAME: HIGH DENSITY HYBRID POWER CARD EDGE SOLDER TYPE LOW PROFILE	
TOLERANCES UNLESS OTHERWISE SPECIFIED:		APVD: SUNYI ZHAO 01SEP2017	PRODUCT SPEC: 108-128060	
0 PLC ±0.40		PRODUCT SPEC: 108-128060	APPLICATION SPEC:	
1 PLC ±0.20		APPLICATION SPEC:	SIZE: A1	
2 PLC ±0.10		APPLICATION SPEC:	CAGE CODE: 2322260	
3 PLC ±0.10		APPLICATION SPEC:	DRAWING NO: 2322260	
4 PLC ±0.10		APPLICATION SPEC:	SCALE: 1:1	
ANGLES ±0.2		APPLICATION SPEC:	SHEET 1 OF 2	
FINISH		WEIGHT	REV A	
MATERIAL		CUSTOMER DRAWING	SCALE: 1:1	

LOC		DIST		REVISIONS			
				REV	DATE	BY	APPV
-	-	-	-	-	-	-	-
-	-	-	-	1	SEE SHEET 1	-	-

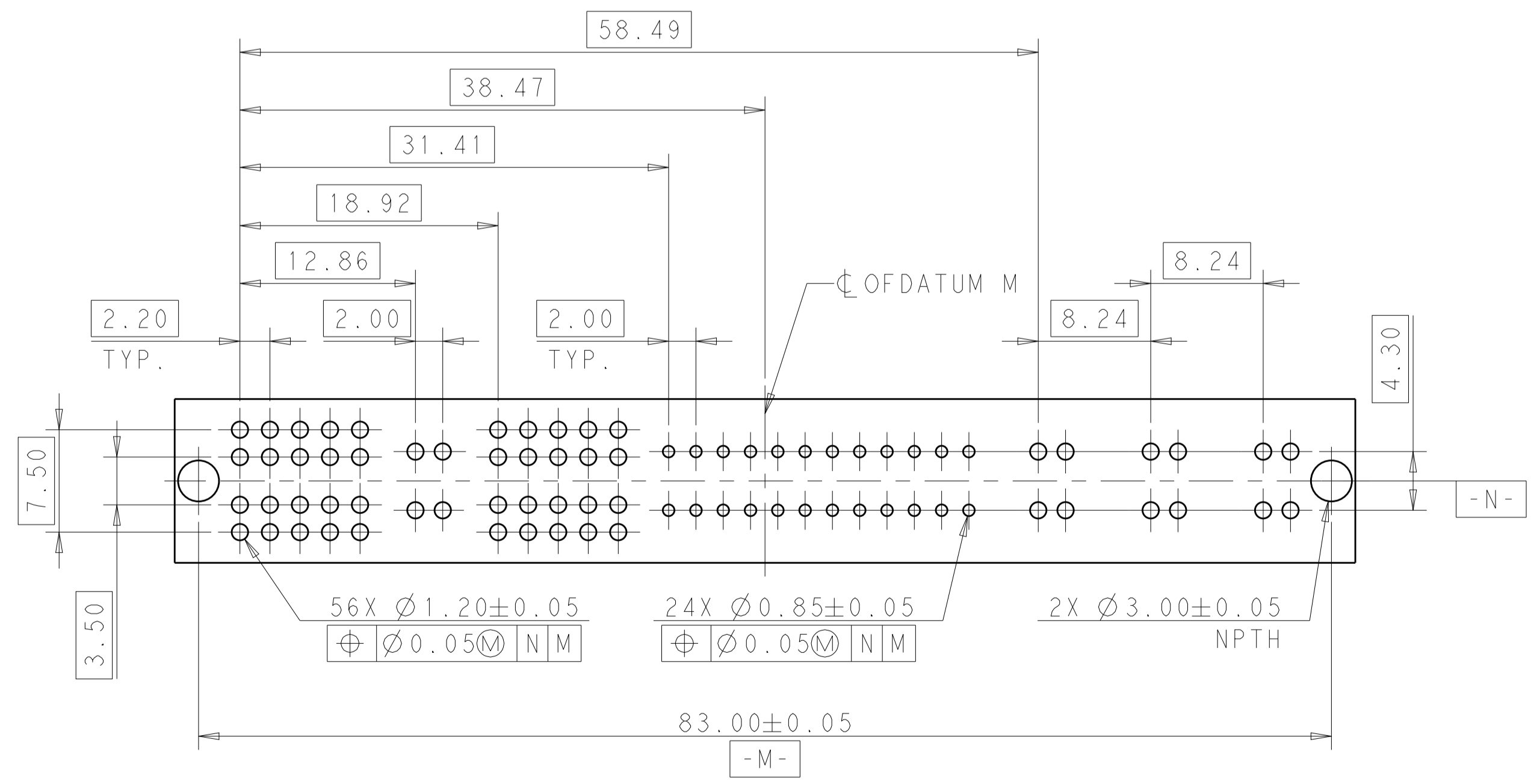


SEE DETAIL A



DETAIL A
SCALE 10:1

RECOMMENDED CARD EDGE CONFIGURATION
TYP. BOTH SIDE



RECOMMENDED MOUNTING BOARD LAYOUT
COMPONENT SIDE

- NOTES FOR MOUNTING BOARD, UNLESS OTHERWISE SPECIFIED:
1. PLATED THROUGH HOLE, SIGNAL:
FINISHED HOLE SIZE: 0.85mm.
DRILL HOLE SIZE: 0.95±0.025mm.
 2. PLATED THROUGH HOLE, POWER:
FINISHED HOLE SIZE: 1.2mm.
DRILL HOLE SIZE: 1.3±0.025mm.
 3. COPPER PLATING THICKNESS: 0.025~0.05mm.
 4. SURFACE FINISH: OSP OR IMMERSION TIN PLATING IS RECOMMENDED.

THIS DRAWING IS A CONTROLLED DOCUMENT.		OWN: SEAN ZHANG 01SEP2017	TE Connectivity
DIMENSIONS: mm		APVD: SUNY ZHAO 01SEP2017	
TOLERANCES UNLESS OTHERWISE SPECIFIED:		PRODUCT SPEC: 108-128060	NAME: HIGE DENSITY HYBRID POWER CARD EDGE SOLDER TYPE LOW PROFILE
0 PLC ±0.40 1 PLC ±0.20 2 PLC ±0.10 3 PLC ±0.10 4 PLC ±0.10 ANGLES ±0.2		APPLICATION SPEC:	SIZE: A1
MATERIAL:		WEIGHT:	CAGE CODE: 2322260
FINISH:		CUSTOMER DRAWING:	SCALE: 1:1 SHEET 2 OF 2 REV A