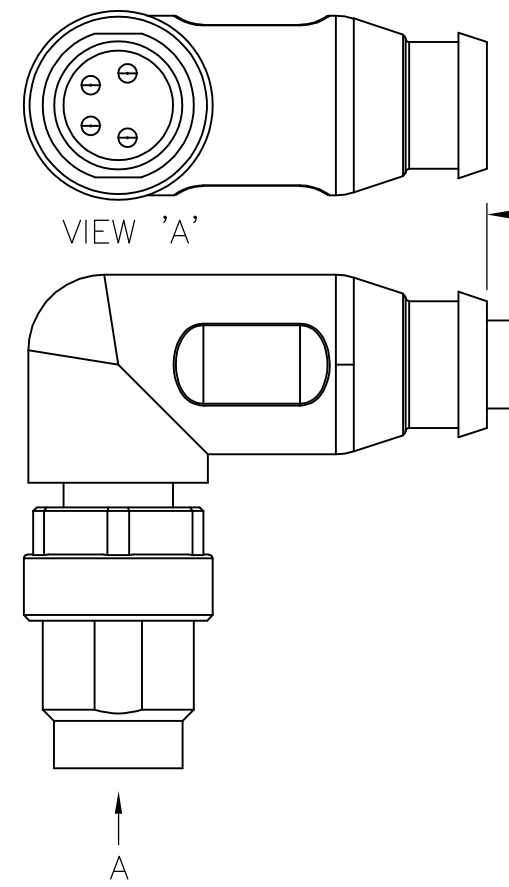


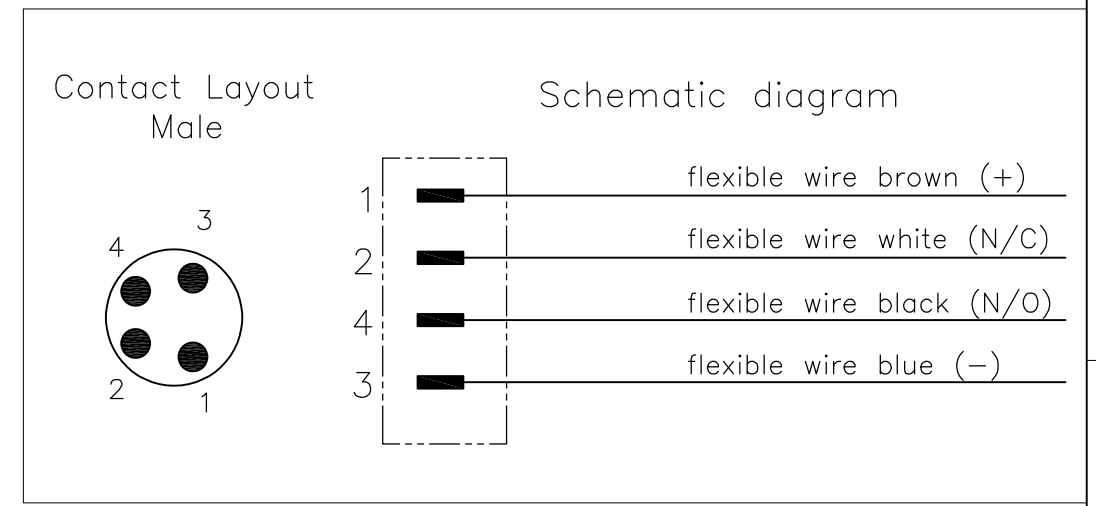
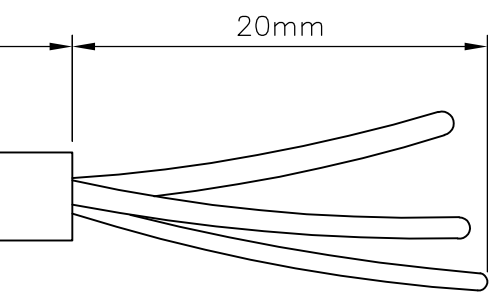
THIS DRAWING IS UNPUBLISHED. RELEASED FOR PUBLICATION  
 © COPYRIGHT - By - ALL RIGHTS RESERVED.

LOC	DIST	REVISIONS			
P	LTR	DESCRIPTION	DATE	DWN	APVD
H	-	A	INITIAL RELEASE	12NOV2013	GSK BvH
		A1	ECR-14-011671	14AUG2014	GSK BvH

NOTES:  
 Tolerances cable lengths:  
 0m to 0.5m +30mm  
 0.5m to 1.0m +50mm  
 1.0m to 3.0m +100mm  
 < 3.0m +1.5%



PVC CABLE	
No./diameter of wires	4 x 0.25 mm <sup>2</sup>
Wire isolation	PVC (br, wh, bl, bk)
C-track properties	
Jacket	PVC (UL/CSA)
Outer diameter	approx. 4.8 mm
Bend radius (moving)	10 x outer diameter
Temperature range (fixed)	-30...+80 °C
Temperature range (mobile)	-5...+80 °C



TECHNICAL DATA	
Operating voltage	max. 30 V AC/DC
Operating current per contact	max. 4 A
Locking of ports	Screw thread M8 x 1 mm (recommended torque 0.4 Nm) self-securing
Protection	IP65 and IP67 when plugged and screwed down (EN 60529)

PUR CABLE	
No./diameter of wires	4 x 0.25 mm <sup>2</sup>
Wire isolation	PP (br, wh, bl, bk)
C-track properties	5 million
Jacket	PUR (UL/CSA)
Outer diameter	approx. 4.4 mm
Bend radius (moving)	10 x outer diameter
Temperature range (fixed)	-40...+80 °C
Temperature range (mobile)	-25...+80 °C

LENGTH "L"	MATERIAL	JACKET COLOR	TE PN	DESCRIPTION	ITEM
4 pos	PVC	Black	1-2273010-4	4x22AWG PVC 10.0m	8
			1-2273010-3	4x22AWG PVC 5.0m	7
			1-2273010-2	4x22AWG PVC 3.0m	6
4 pos	PUR	Black	1-2273010-1	4x22AWG PVC 1.5m	5
			2273010-4	4x22AWG PUR 10.0m	4
			2273010-3	4x22AWG PUR 5.0m	3
			2273010-2	4x22AWG PUR 3.0m	2
			2273010-1	4x22AWG PUR 1.5m	1

THIS DRAWING IS A CONTROLLED DOCUMENT.		DWN 12NOV2013 SATHISH KUMAR .G	<b>STE</b> TE Connectivity	
		CHK 12NOV2013 B.VELDHOVEN		
		APVD 12NOV2013 A.VAN ZANDVOORT	NAME	
DIMENSIONS: mm		PRODUCT SPEC	M8 X 1.0 ANGLED PLUG PIGTAIL	
TOLERANCES UNLESS OTHERWISE SPECIFIED:		108-19483		
0 PLC ± -		APPLICATION SPEC		
1 PLC ± -		114-32127	SIZE	CAGE CODE
2 PLC ± -		WEIGHT	A3	00779
3 PLC ± -			DRAWING NO	
4 PLC ± -			G-2273010	
ANGLES ± -			RESTRICTED TO	
FINISH		CUSTOMER DRAWING		SCALE
				NTS
				SHEET
				1 OF 1
				REV
				A1