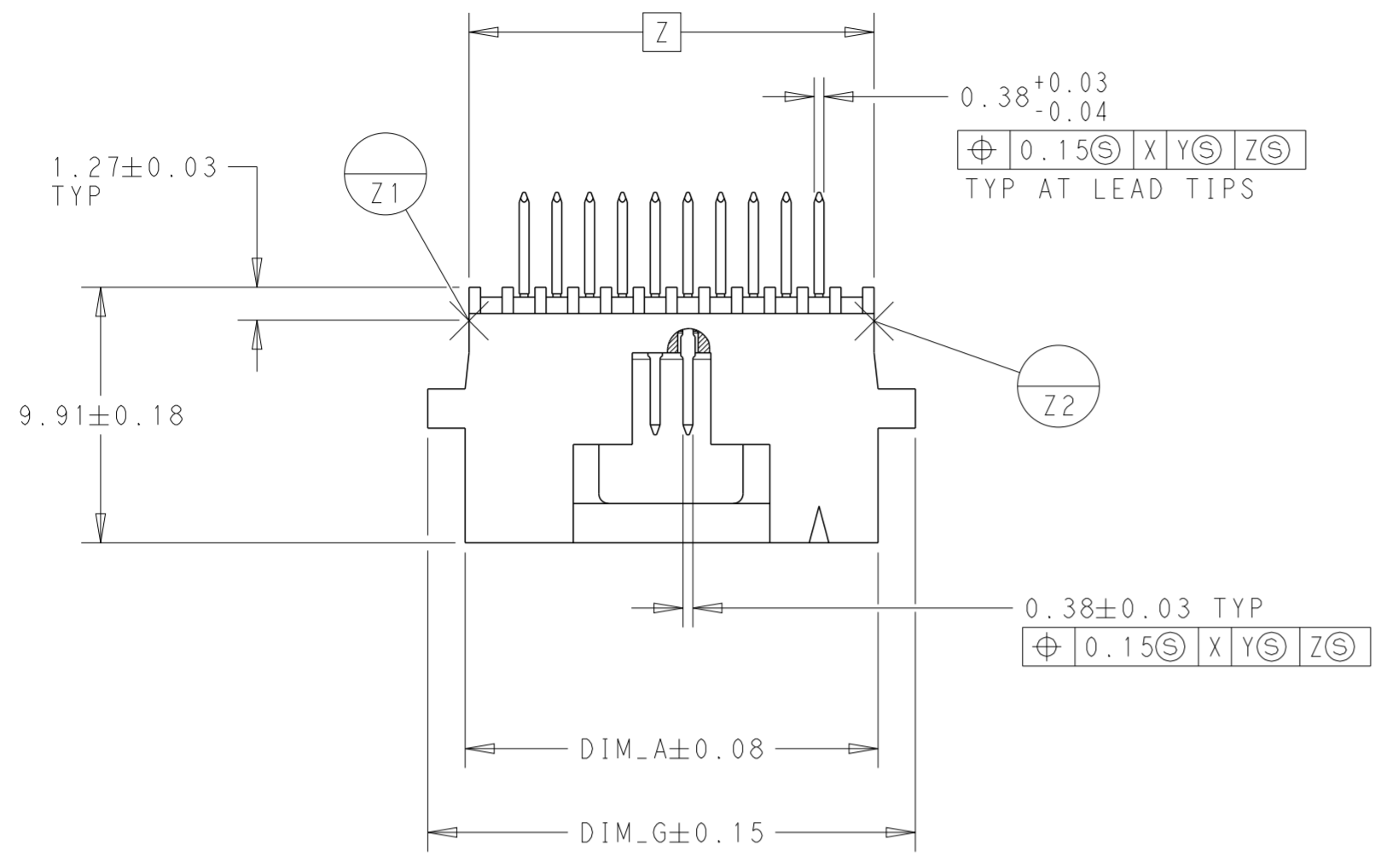
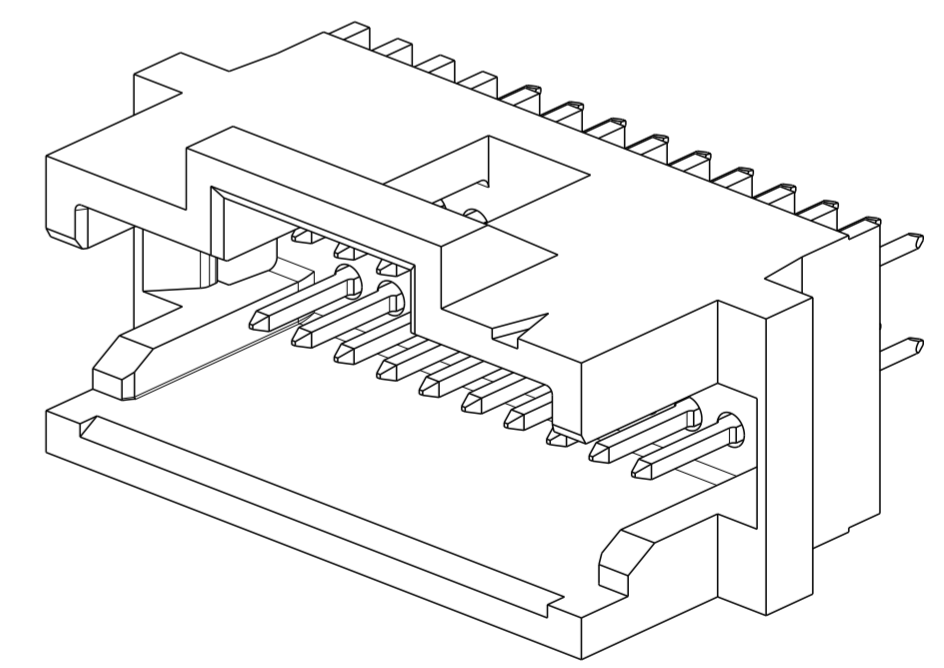
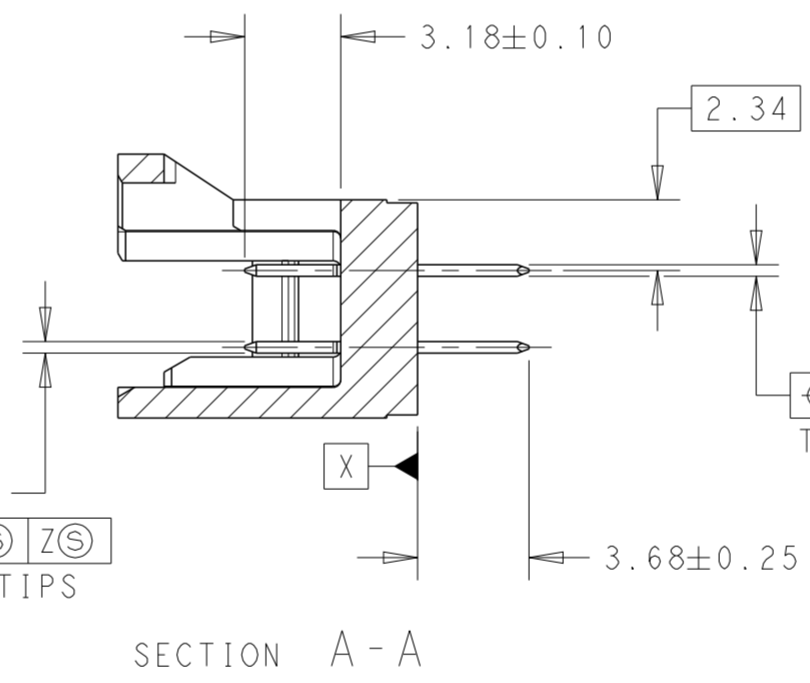
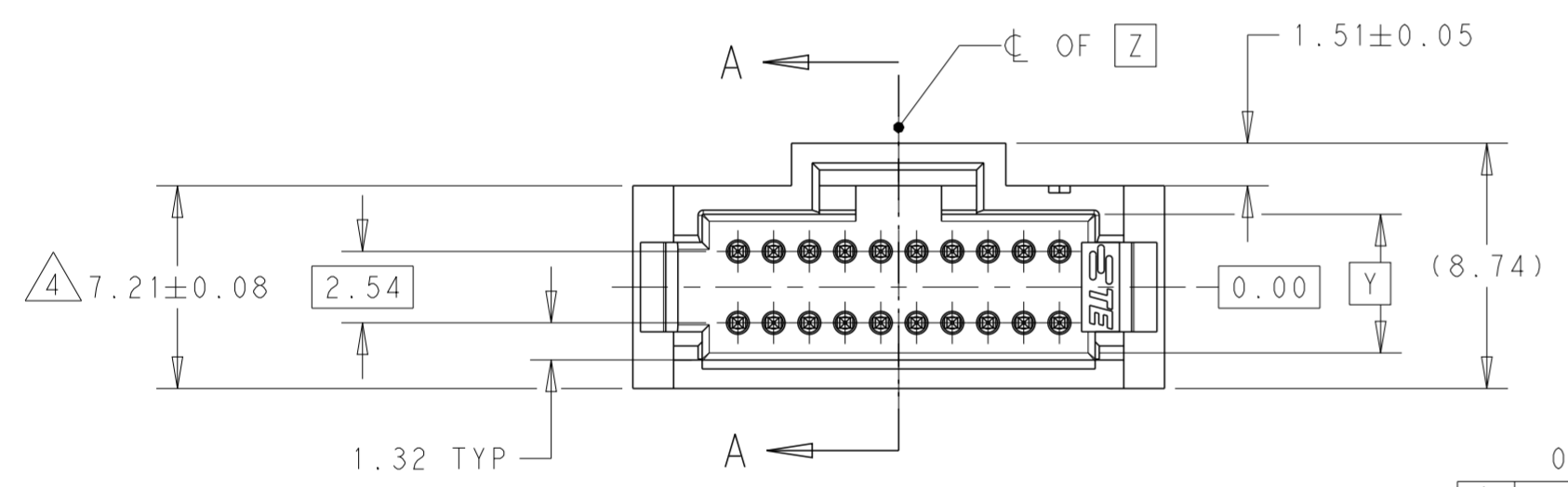


THIS DRAWING IS UNPUBLISHED. RELEASED FOR PUBLICATION 20  
 © COPYRIGHT 20 BY - ALL RIGHTS RESERVED.

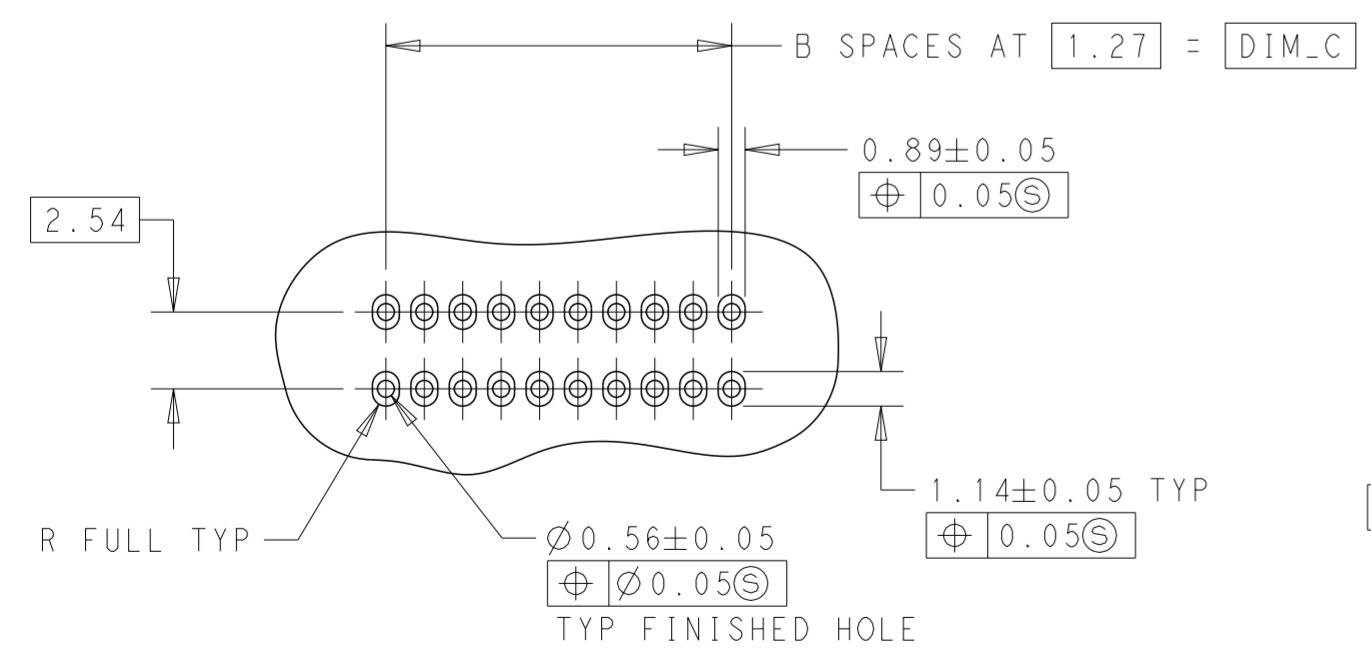
REVISIONS					
P	LTR	DESCRIPTION	DATE	DWN	APVD
	AC	REDRAWN/REVISED PER ECO-17-001755	22NOV2017	GR	JO



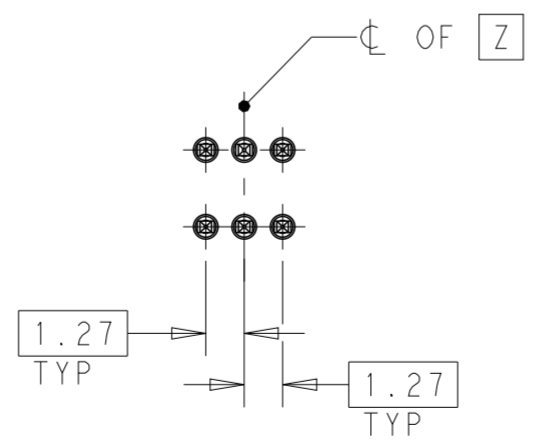
- 1 CONTACT AREA PLATED WITH 0.76µm MIN GOLD; SOLDER LEADS PLATED WITH 3.81µm MIN TIN-LEAD, ALL OVER 1.27µm MIN NICKEL
- 2 NOTE DELETED.
- 3 DIMENSION APPLIES AT BASE OF SHROUD.
- 4 THE NOTED DIMENSIONS APPLY AT THE INTERSECTION OF THE POST AND HOUSING
- 5 NOTE DELETED.
- 6 HOUSING: LCP, COLOR-BLACK. POSTS: COPPER ALLOY.
- 7 CONTACT AREA PLATED WITH 0.76µm MIN GOLD, SOLDER LEADS PLATED WITH 3.81µm MIN TIN, ALL OVER 1.27µm MIN NICKEL.
- 8 NOTE DELETED.
- 9 ROHS 2002/95/EC COMPLIANT.
- 10 FINISH: 0.03µm MIN. GOLD ON GOLD PLATED AREA, 3.81µm MATTE TIN LEAD ON TIN PLATE AREA, UNDER PLATING SHOULD BE 1.27µm NICKEL ON ENTIRE CONTACT, GOLD AND TIN PLATING MAY NOT OVERLAP
- 11 FINISH: 0.03µm MIN. GOLD ON GOLD PLATED AREA, 3.81µm MATTE TIN ON TIN PLATE AREA, UNDERPLATING TO BE 1.27µm NICKEL ON ENTIRE CONTACT, GOLD AND TIN PLATING MAY NOT OVERLAP
- 12 NOTE DELETED.



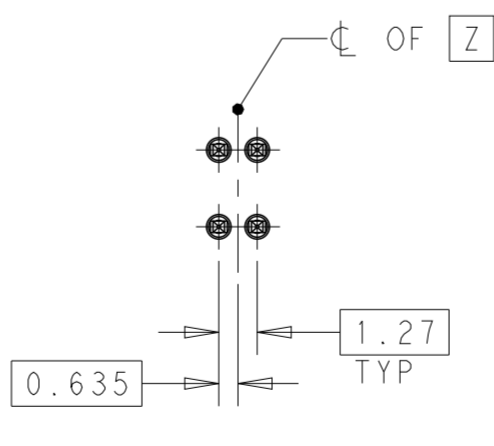
SCALE 6:1



RECOMMENDED BOARD LAYOUT



BASIC DIMENSION FOR EVEN NUMBER OF SPACES (SEE TABLE)



BASIC DIMENSION FOR ODD NUMBER OF SPACES (SEE TABLE)


THIS DRAWING IS A CONTROLLED DOCUMENT.		DWN G. RAMESH 22NOV2017	TE Connectivity		
DIMENSIONS: mm		CHK J. OLSON 22NOV2017			
TOLERANCES UNLESS OTHERWISE SPECIFIED:		APVD J. OLSON 22NOV2017	NAME HEADER ASSEMBLY, VERTICAL, DOUBLE ROW, W/SIDE & END LATCHES, AMPMODU System 50		
0 PLC ± 1 PLC ±0.3 2 PLC ±0.13 3 PLC ± 4 PLC ±		PRODUCT SPEC 108-1093	SIZE -		
ANGLES ±0.5° FINISH -		APPLICATION SPEC 114-25031	CAGE CODE A200779		
MATERIAL 6 SEE TABLE		WEIGHT -	DRAWING NO C-104666		
		CUSTOMER DRAWING	RESTRICTED TO SCALE 4:1 SHEET 1 OF 2 REV AC		

THIS DRAWING IS UNPUBLISHED. RELEASED FOR PUBLICATION 20  
 © COPYRIGHT 20 BY - ALL RIGHTS RESERVED.

REVISIONS					
P	LTR	DESCRIPTION	DATE	DWN	APVD
-		SEE SHEET 1	-	-	-

11	27.79	20.32	15	24.89	34	8-104666-3
	12.55	5.08	4	9.65	10	8-104666-2
	22.71	15.24	12	19.81	26	8-104666-1
	21.44	13.97	11	18.54	24	8-104666-0
	16.36	8.89	7	13.46	16	7-104666-9
	49.38	46.99	33	46.48	68	7-104666-8
	44.30	36.83	29	41.40	60	7-104666-7
	69.70	62.23	49	66.80	100	7-104666-6
	57.00	49.53	39	54.10	80	7-104666-5
	37.95	30.48	24	35.05	50	7-104666-4
	31.60	24.13	19	28.70	40	7-104666-3
	25.25	17.78	14	22.35	30	7-104666-2
	18.90	11.43	9	16.00	20	7-104666-1
7	27.79	20.32	15	24.89	34	6-104666-3
	12.55	5.08	4	9.65	10	6-104666-2
	22.71	15.24	12	19.81	26	6-104666-1
	21.44	13.97	11	18.54	24	6-104666-0
	16.36	8.89	7	13.46	16	5-104666-9
	49.38	46.99	33	46.48	68	5-104666-8
	44.30	36.83	29	41.40	60	5-104666-7
	69.70	62.23	49	66.80	100	5-104666-6
	57.00	49.53	39	54.10	80	5-104666-5
	37.95	30.48	24	35.05	50	5-104666-4
	31.60	24.13	19	28.70	40	5-104666-3
	25.25	17.78	14	22.35	30	5-104666-2
	18.90	11.43	9	16.00	20	5-104666-1
FINISH	DIM_G	DIM_C	B SPACES	DIM_A	NO OF POSN	PART NUMBER

10	27.79	20.32	15	24.89	34	3-104666-3
	12.55	5.08	4	9.65	10	3-104666-2
	22.71	15.24	12	19.81	26	3-104666-1
	21.44	13.97	11	18.54	24	3-104666-0
	16.36	8.89	7	13.46	16	2-104666-9
	49.38	46.99	33	46.48	68	2-104666-8
	44.30	36.83	29	41.40	60	2-104666-7
	69.70	62.23	49	66.80	100	2-104666-6
	57.00	49.53	39	54.10	80	2-104666-5
	37.95	30.48	24	35.05	50	2-104666-4
	31.60	24.13	19	28.70	40	2-104666-3
	25.25	17.78	14	22.35	30	2-104666-2
	18.90	11.43	9	16.00	20	2-104666-1
1	27.79	20.32	15	24.89	34	1-104666-3
	12.55	5.08	4	9.65	10	1-104666-2
	22.71	15.24	12	19.81	26	1-104666-1
	21.44	13.97	11	18.54	24	1-104666-0
	16.36	8.89	7	13.46	16	104666-9
	49.38	46.99	33	46.48	68	104666-8
	44.30	36.83	29	41.40	60	104666-7
	69.70	62.23	49	66.80	100	104666-6
	57.00	49.53	39	54.10	80	104666-5
	37.95	30.48	24	35.05	50	104666-4
	31.60	24.13	19	28.70	40	104666-3
	25.25	17.78	14	22.35	30	104666-2
	18.90	11.43	9	16.00	20	104666-1
FINISH	DIM_G	DIM_C	B SPACES	DIM_A	NO OF POSN	PART NUMBER

THIS DRAWING IS A CONTROLLED DOCUMENT.		DWN G. RAMESH 22NOV2017	 TE Connectivity	
DIMENSIONS: mm		CHK J. OLSON 22NOV2017		
TOLERANCES UNLESS OTHERWISE SPECIFIED:		APVD J. OLSON 22NOV2017	NAME HEADER ASSEMBLY, VERTICAL, DOUBLE ROW, W/SIDE & END LATCHES, AMPMODU System 50	
0 PLC ± 1 PLC ±0.3 2 PLC ±0.13 3 PLC ± 4 PLC ± ANGLES ±0.5° FINISH		PRODUCT SPEC 108-1093	SIZE A200779	
MATERIAL		APPLICATION SPEC 114-25031	CAGE CODE C-104666	DRAWING NO 104666
SEE TABLE		WEIGHT -	RESTRICTED TO	SCALE 4:1 SHEET 2 OF 2 REV AC
		CUSTOMER DRAWING		