

General Specifications

Motor Protection:

Auto Restart/Polarity Protection

Insulation Resistance:

10M Ω or over with a DC500V Megger

Dielectric Withstand Voltage: AC 700V 1s

Allowable Ambient Temperature Range:

-10°C ~ +70°C (Operating)

-40°C ~ +70°C (Storage)

(non-condensing environment)

Expected Life

40°C 50,000 Hours (L10)

Material

Casing : Plastic (Black) UL94V-0

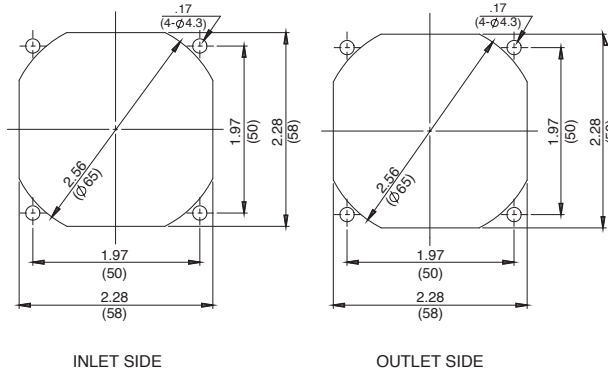
Impeller : Plastic (Black) UL94V-0

Bearing : Sleeve Bearing

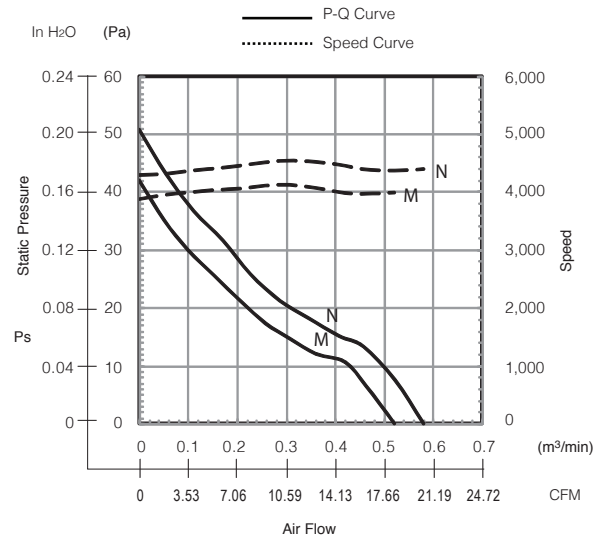
Lead Wire : UL1007, AWG26, +Red, -Black

Panel Cut-Outs

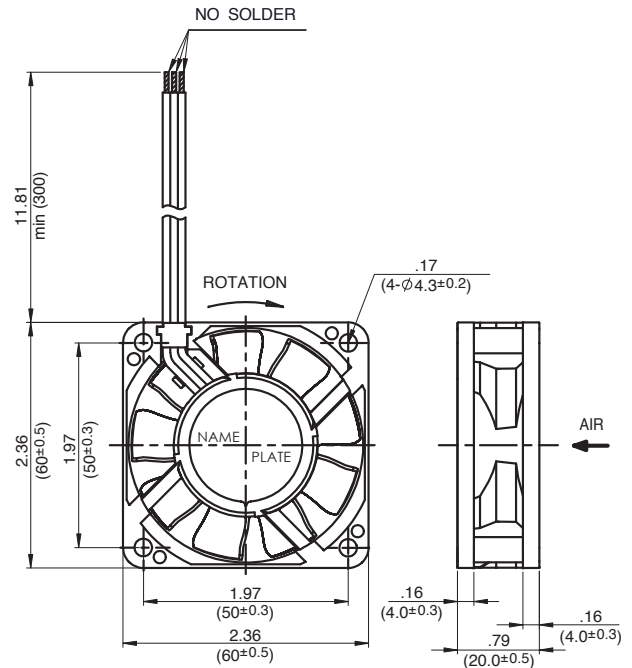
Units: $\frac{\text{inch}}{\text{mm}}$



Characteristic Curves



Outline



Specifications

MODEL	Rated Voltage	Operating Voltage	Current	Input Power	Speed	Max. Air Flow		Max. Static Pressure		Noise	Mass
	(V)	(V)	(A) ^{*1}	(W) ^{*1}	(min ⁻¹) ^{*1}	CFM ^{*1}	(m ³ /min) ^{*1}	in H ₂ O	(Pa) ^{*1}	(dB) ^{*1}	(g)
06020SS-12M-AT-00	12	6.0 ~ 13.8	0.08	0.96	4000	18.36	.52	.17	42.6	28.5	56
06020SS-12N-AT-00	12	6.0 ~ 13.8	0.09	1.08	4400	20.48	.58	.21	52.1	30.5	56
06020SS-24M-AT-00	24	12.0 ~ 27.6	0.06	1.44	4000	18.36	.52	.16	40.0	28.5	56
06020SS-24P-AT-00€	24	12.0 ~ 27.6	0.07	1.68	4400	20.48	.58	.20	49.1	30.5	56