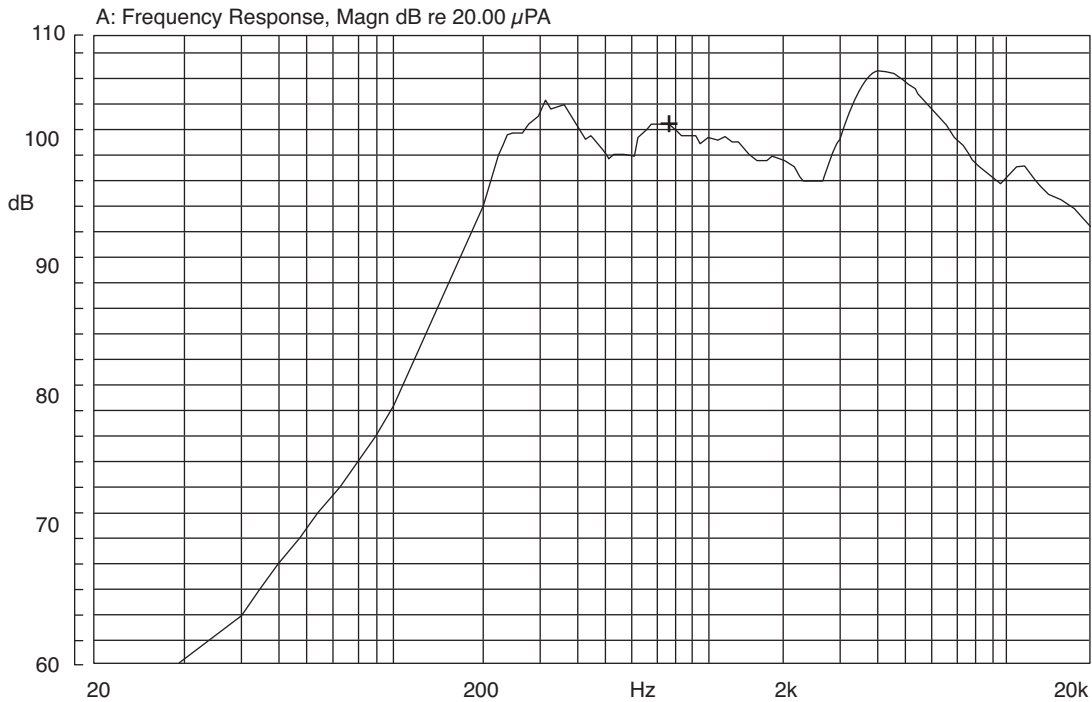
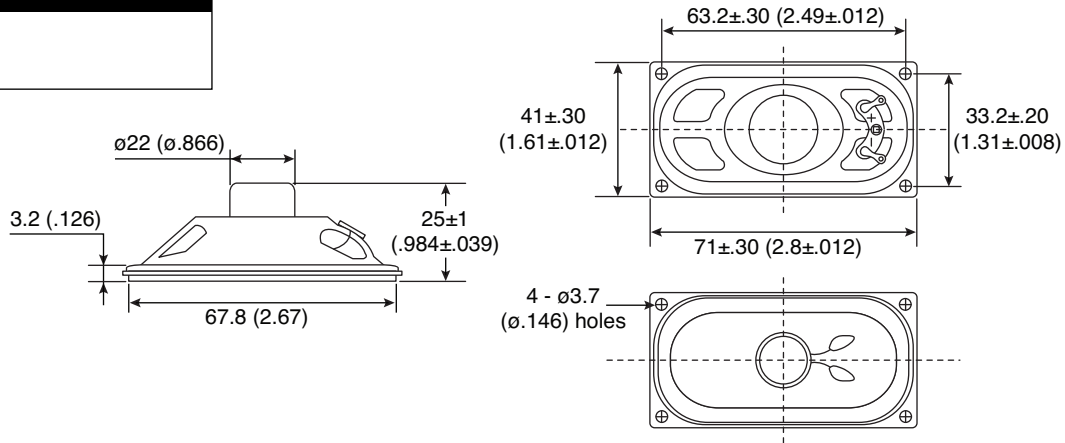


**Part Number:**

254-DS718-RO



Dynamic Speaker

KT-400442

**Electrical Specifications:**

- Rated Input Power: 4 W
- Impedance:  $8\Omega \pm 15\%$  at 1K Hz
- Resonant Frequency ( $F_0$ ):  $380\text{Hz} \pm 20\%$  at  $F_0$ , 1V
- Sensitivity (SPL):  $81\text{dB(W/m)} \pm 3\text{dB}$   
 $100\text{dB(1W/0.1m)} \pm 3\text{dB}$
- Frequency Range:  $F_0 - 20\text{K Hz}$

**Material:**

- Magnet: Nd-Fe-B

**Note:**

- RoHS Compliant