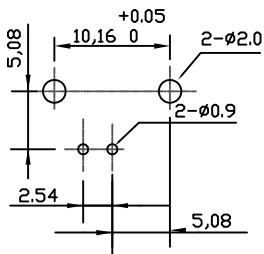
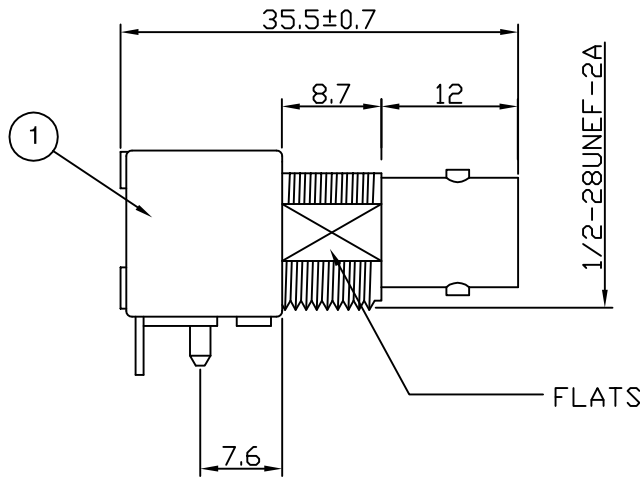
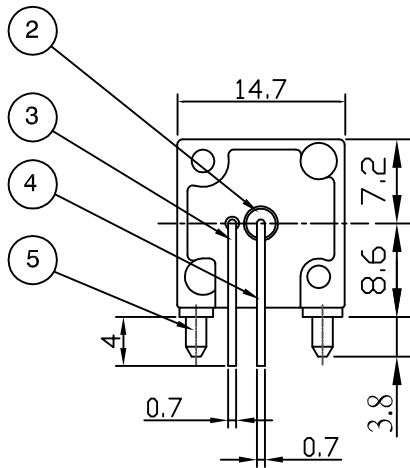
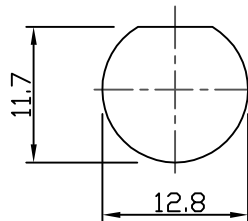


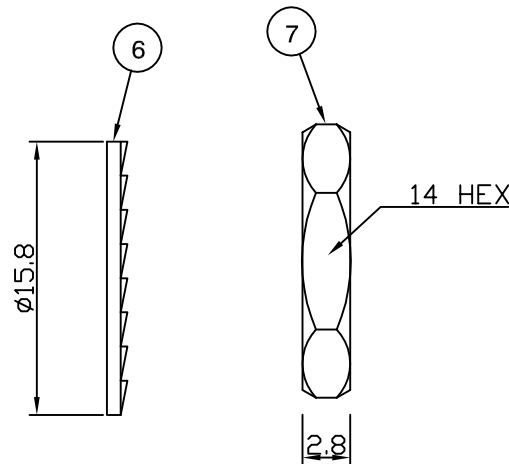
RoHS COMPLIANT



RECOMMENDED PCB LAYOUT



RECOMMENDED PANEL CUTOUT



Electrical Characteristics

Nominal Impedance:	75 ohms
Frequency Range:	DC to 1 GHz
Operating Voltage (rms):	500 V maximum at sea level
Dielectric Withstand Voltage (rms):	1500 V maximum at sea level
Contact Resistance:	3 milliohms maximum
Insulation Resistance:	5000 megohms minimum

Mechanical Characteristics

Mating Cycles:	5000 cycles minimum
Interface Dimensions:	Conform to MIL-C-39012

Environmental Characteristics

Temperature Range:	-55 °C to +85 °C
--------------------	------------------

REF.	DESCRIPTION	MATERIAL	PLATING
1	Body	Zinc Alloy	Nickel
2	Insulator	Polypropylene	
3	Ground Terminal	Copper-clad steel	Tin
4	Socket Contact	Phosphor	Gold
5	Mount Post	Brass	Tin>5Microns
6	Lock Washer	Brass	Nickel
7	Hex Nut	Brass	Nickel

Note : Nuts and washers are supplied loose.

DESCRIPTION OF REVISION	APPVD	ISS	DATE
Dimension Updated	JC	8	13 May 15
Dimension Added	JC	7	04 July 12
Complete Update	KA	6	17 Mar 08
Tin plating thickness added	MS	5	5 March 08
Additional dimensions added	JDW	4	22 July 05
CAD Issue	PDC	3	22 Oct 02
Mil spec added	VEL	2	05 Aug 98
First Issue	DJH	1	11 Feb 98



11 Bilton Road,
Chelmsford, Essex,
CM1 2UP UK.
Tel: +44 (0) 1245 359515
Fax: +44 (0) 1245 358938

SCALE: Not To Scale

DIMENSIONS: mm

TOLERANCES:
± 0.2mm unless
otherwise stated

DRAWN BY:

P D Couzens

CHECKED BY:

S Nash

APPROVED BY:

R Drenan

DATE:

22 Oct 02

TITLE:

Shielded BNC Right-angle
PCB Mount Jack

PART NUMBER:

VBM201-75

PAGE: 1 of 1