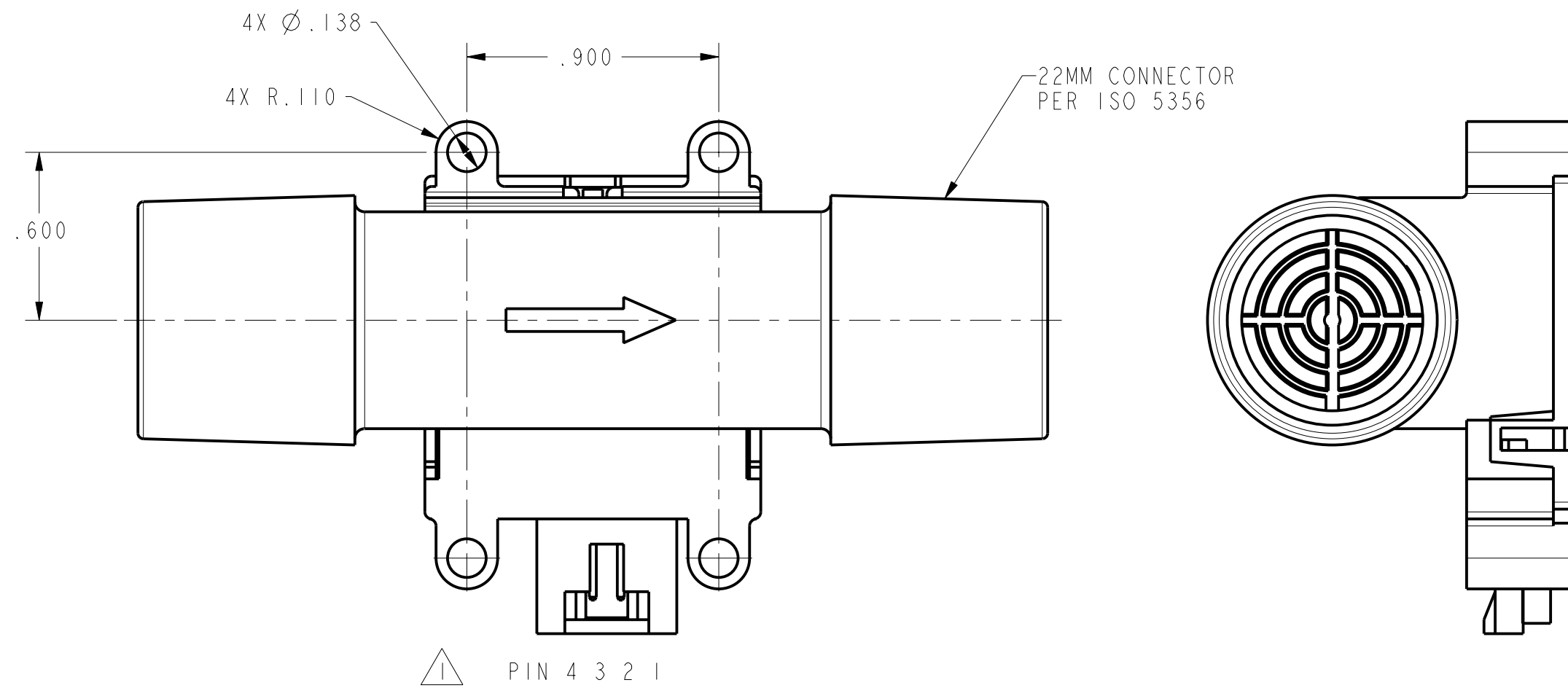


REV	DOCUMENT	CHANGED BY	CHECK
1	201052	SAV 14AUG00	SAV



FLOW RANGE (FULL SCALE)	+200 SLPM		
	MIN	TYP	MAX UNITS
EXCITATION (2)	9.990		10.010 Vdc
POWER SUPPLY	8.000	---	15.000 Vdc
POWER CONSUMPTION	60 MAX		mW
OUTPUT LOADING			
SINKING	10		mA
SOURCING	20		mA
CALIBRATION GAS	AIR		
NULL VOLTAGE SHIFT			
+25 TO -25°C, +25 TO +85°C	±.025 TYP		Vdc
FULL SCALE OUTPUT SHIFT			
+25 TO +10 °C	-2.0		%READING
+25 TO +40°C	+2.0		%READING
RATIOMETRICITY ERROR (2)	±0.30 TYP		%READING
REPEATABILITY & HYSTERESIS	±0.50 MAX		%READING
RESPONSE TIME (1)	6 TYP		mSEC
PRESSURE DROP @ FULL SCALE	1.0 (2.5) TYP		"H2O (mBAR)
OVERPRESSURE	1.7 MAX		Bar
TEMPERATURE RANGE			
OPERATING	-25 TO +85°C (-13 TO +185°F)		
STORAGE	-40 TO +90°C (-40 TO +190°F)		
WEIGHT	34 (1.20)		GRAM (OZ)
CONNECTOR - 4 PIN RECEPTACLE	HONEYWELL SS12143 / AMP 103956-3		

FLOW SPECIFICATIONS	FLOW (SLPM)	NOMINAL (Vdc)	±TOL (Vdc)
	0	1.000	0.05
	25	2.99	TYP
	50	3.82	0.18
	75	4.30	TYP
	100	4.58	TYP
	150	4.86	TYP
	200	5.000	0.36

1) RESPONSE TIME IS TYPICALLY 6 mS FROM 10 TO 90%.
2) OUTPUT VOLTAGE IS RATIOMETRIC TO SUPPLY VOLTAGE.

NOTES
 △ PIN 1 = N/A
 PIN 2 = V-
 PIN 3 = V+ (10V DC NOMINAL)
 PIN 4 = OUTPUT

UNLESS OTHERWISE SPECIFIED TOLERANCES ARE: NO PLACE X ±.040 ±1 ONE PLACE .X ±.030 ±0,4 TWO PLACE .XX ±.015 ±0,15 THREE PLACE .XXX ±.005 ± ANGLES ± RAW MATERIAL-COMMERCIAL STANDARD	<input checked="" type="checkbox"/> US (inch) CUSTOMARY	<input type="checkbox"/> SI (mm) METRIC	DRAWN SAV 14AUG00	Honeywell Sensing and Control TITLE MASS AIRFLOW SENSOR (200 LPM)	
	THIRD ANGLE PROJECTION		CHECK SAV 14AUG00		
THIS DRAWING COVERS A PROPRIETARY ITEM AND IS THE PROPERTY OF HONEYWELL SENSING AND CONTROL. THIS DRAWING IS NOT TO BE COPIED OR USED WITHOUT THE PERMISSION OF HONEYWELL.			DIMENSIONS ARE TO BE MET BEFORE PROTECTIVE COATINGS ARE APPLIED		C M AWM720P1 1
3D PTC ASME Y14.5M-1994			SCALE 2:1	WEIGHT	SHEET 1 OF 1