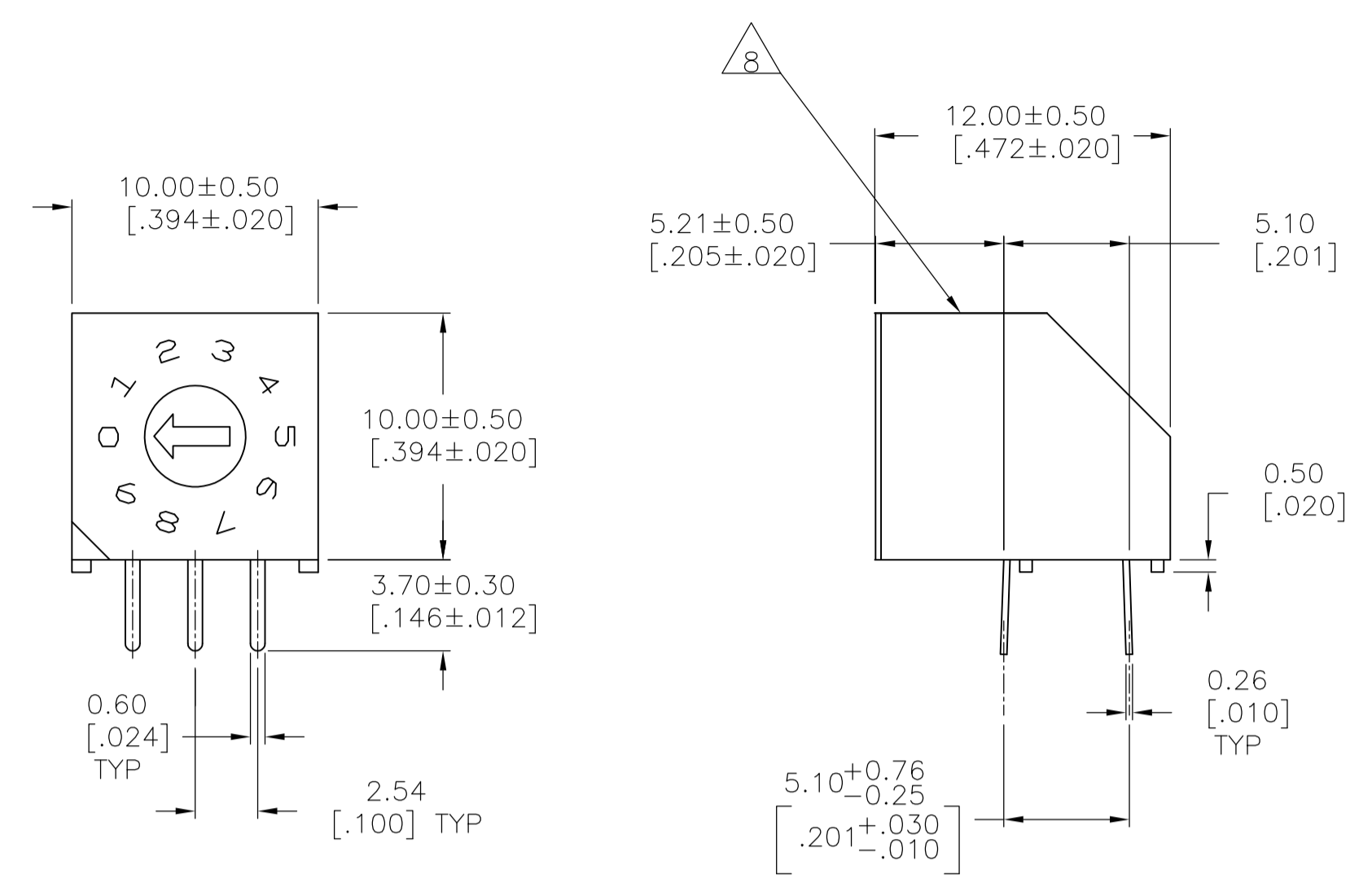
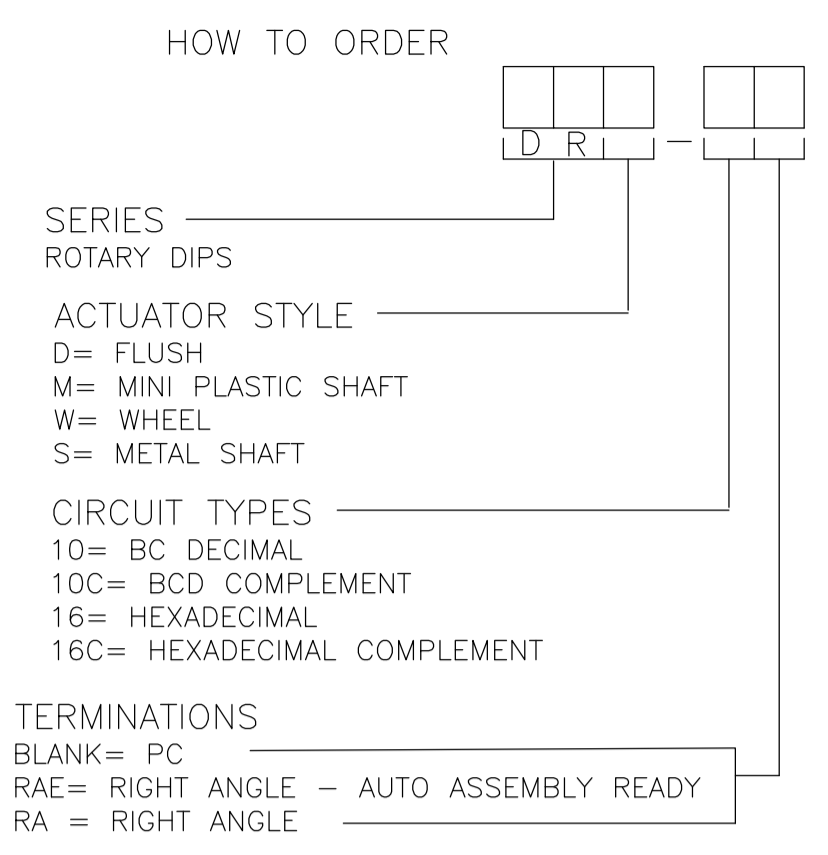


REVISIONS					
P	LTR	DESCRIPTION	DATE	DMN	APVD
A5	REVISED PER ECO-17-001765		05MAY2017	SK	AS



DRD RIGHT ANGLE  
PC MOUNT



**SPECIFICATIONS:**

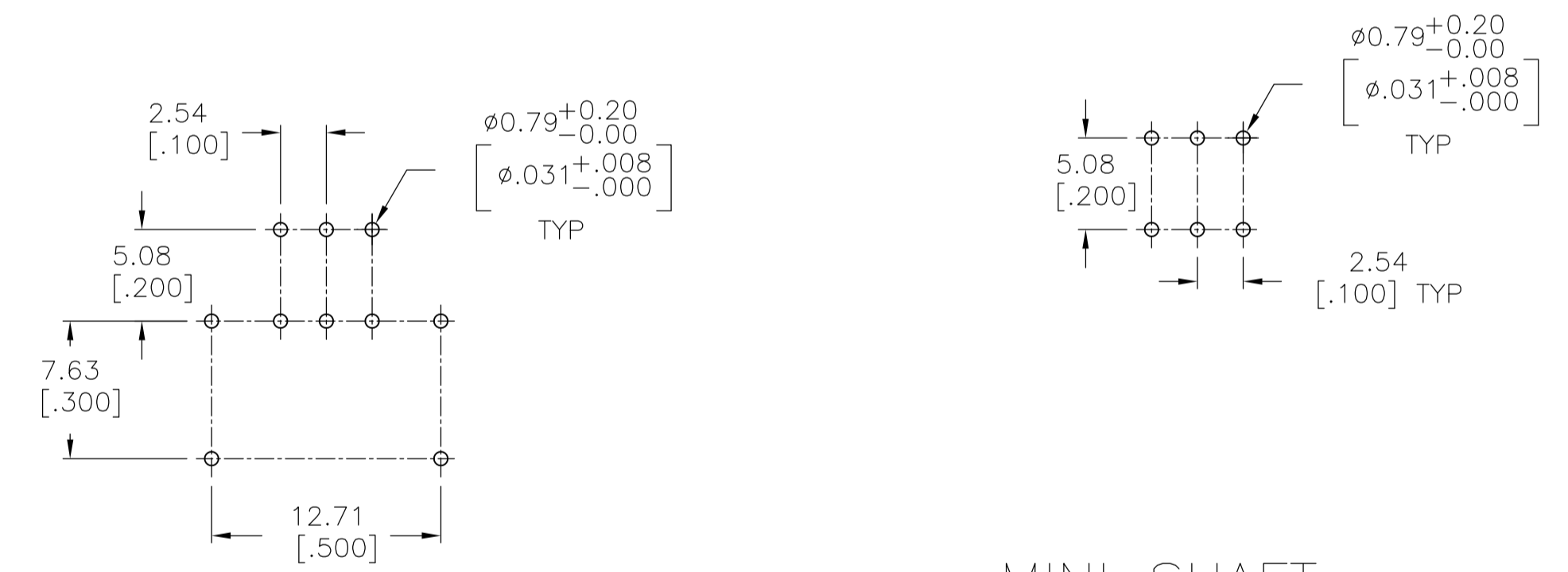
**MATERIAL:**  
FRAME & CASE- PPS UL94V-0, BLACK  
ROTOR, PA6T UL94V-0, COLOR SEE P/N TABLE  
FIXED CONTACT/TERMINAL- COPPER ALLOY, GOLD FLASH OVER NICKEL PLATE  
MOVING CONTACT- COPPER ALLOY, GOLD FLASH OVER NICKEL PLATE  
BALL SUPPORT PLATE- COPPER ALLOY  
BALL- STAINLESS STEEL  
DETENT SPRING- STAINLESS STEEL  
BUSHING (DRS)- ZINC DIE CAST  
SHAFT (DRS)- COPPER ALLOY- NICKEL PLATE

**ELECTRICAL:**  
CONTACT RATING- 0.4VA@ 20V DC OR PEAK AC  
INITIAL CONTACT RESISTANCE- 50 MILLIOHMS MAX  
INSULATION RESISTANCE- 1,000 MEGOHMS@100V DC  
DIELECTRIC STRENGTH- 300V AC  
LIFE EXPECTANCY- 10,000 ROTATIONS

**MECHANICAL:**  
OPERATING FORCE- 13.88 OZF.IN. MAX

**ENVIRONMENTAL:**  
OPERATING TEMPERATURE- -30°C TO +85°C  
STORAGE TEMPERATURE- -45°C TO +100°C  
RESISTANCE TO SOLDER HEAT-PER 109-202, COND B (THRU-HOLE)  
SOLDERABILITY-PER JIS C 0050 & JIS C 0053

- NOTES:**
- ALL MATERIALS AND FINISHES SHALL COMPLY WITH EU DIRECTIVE 2002/95/EC OF 27JAN2003 (ROHS)
  - COMMON TERMINALS ARE CONNECTED INTERNALLY, EXCEPT ON HYBRID VERSIONS.
  - RED ROTOR WITH WHITE PRINTING ON TOP AND SIDE OF SWITCH. "S" STYLES HAVE NOT PRINTING ON TOP.
  - BLACK ROTOR WITH WHITE PRINTING ON TOP AND SIDE OF SWITCH. "S" STYLES HAVE NO PRINTING ON TOP.
  - ORANGE ROTOR WITH WHITE PRINTING ON TOP AND SIDE OF SWITCH "S" STYLES HAVE NO PRINTING ON TOP.
  - WHITE ROTOR WITH WHITE PRINTING ON TOP AND SIDE OF SWITCH "S" STYLE HAVE NO PRINTING ON TOP.
- △ LOCATE 'ALCO' TRADE NAME AND LOT NUMBER MARKING. LOT NUMBER TO BE MARKED AS FOLLOW:
- 4 1ST DIGIT  
F 2ND DIGIT  
YEAR 1194 MONTH 6
- MARK WITH PERMANENT WHITE INK.



"S" STYLE

MINI SHAFT  
FLUSH  
WHEEL

PRINTED CIRCUIT BOARD LAYOUTS

	BLACK	DRW16RAE04	1-1825008-6
	WHITE	DRW16CRAE04	1-1825008-5
	RED	DRW10RAE04	1-1825008-4
OBSOLETE	ORANGE	DRW10CRAE04	1-1825008-3
	N/A	DRS16RA04	1-1825008-2
	N/A	DRS16CRA04	1-1825008-1
	N/A	DRS10RA04	1-1825008-0
OBSOLETE	N/A	DRS10CRAE04	1825008-9
	BLACK	DRM16RAE04	1825008-8
OBSOLETE	WHITE	DRM16CRAE04	1825008-7
	RED	DRM10RAE04	1825008-6
OBSOLETE	ORANGE	DRM10CRAE04	1825008-5
	BLACK	DRD16RAE04	1825008-4
	WHITE	DRD16CRAE04	1825008-3
	RED	DRD10RAE04	1825008-2
OBSOLETE	ORANGE	DRD10CRAE04	1825008-1
	ROTOR COLOR	T&B P/N	PART NO.

THIS DRAWING IS A CONTROLLED DOCUMENT. DIN 17MAY2005

DR: B.S.VISWESWARA  
CHK: M.S.SARVER  
APVD: -

DIMENSIONS: mm [INCHES]

TOLERANCES UNLESS OTHERWISE SPECIFIED:  
0. PLC ± -  
1. PLC ± -  
2. PLC ± 0.25  
3. PLC ± -  
4. PLC ± -  
ANGLES ± 1°

MATERIAL: - FINISH: -

WEIGHT: 0

CUSTOMER DRAWING

APVD: -

PRODUCT SPEC: -

APPLICATION SPEC: -

SIZE: A1

SCALE: 4:1

SHEET: 1 OF 2

REV: A5

STE TE Connectivity

DR\*\*\*RA SERIES ROTARY DIP SWITCH

00779 1825008

