

M83538/9S Straight Adapter and Extender

CONNECTOR DESIGNATOR:

MIL-DTL-83538/4

Basic
Part NumberShell
Size

M83538/9S - 09

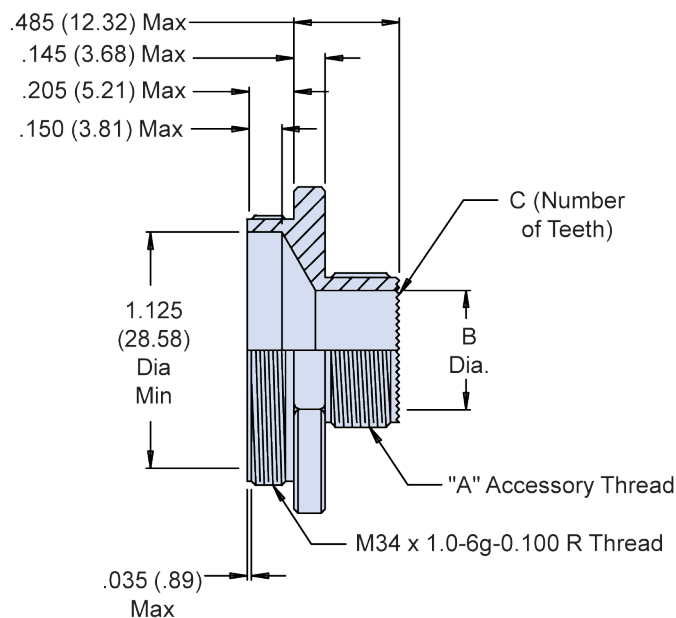
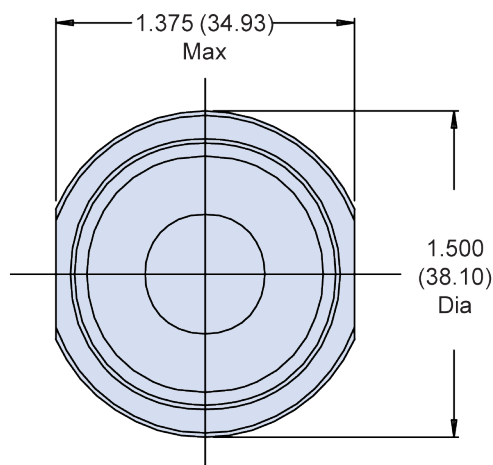


TABLE I: Shell Size, Thread, Teeth and Dimensions

Shell Size	"A" Accessory Thread	B Dia ±.005 (0.13)	C Number of Teeth
09	M12x1.0-6g 0.100R	.332 (8.18)	12
11	M15x1.0-6g 0.100R	.440 (11.18)	16
13	M18x1.0-6g 0.100R	.559 (14.20)	20
15	M22x1.0-6g 0.100R	.716 (18.19)	24
17	M25x1.0-6g 0.100R	.834 (21.18)	28
19	M28x1.0-6g 0.100R	.952 (24.18)	32
21	M31x1.0-6g 0.100R	1.070 (27.18)	36
23	M34x1.0-6g 0.100R	1.188 (30.18)	40

APPLICATION NOTES

1. For complete dimensions see the applicable Military Specification.
2. Material is corrosion resistant steel.
3. Metric dimensions (mm) are in parentheses.

Dimensions in inches (millimeters) and are subject to change without notice.