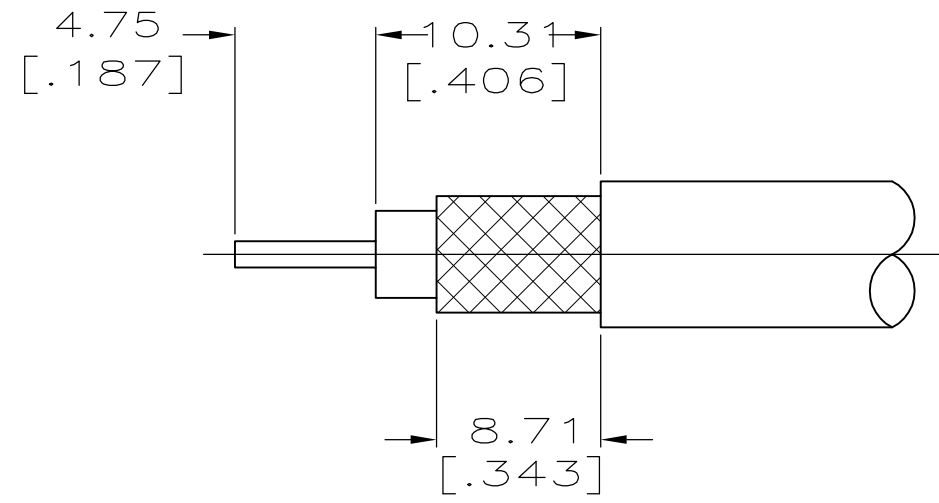


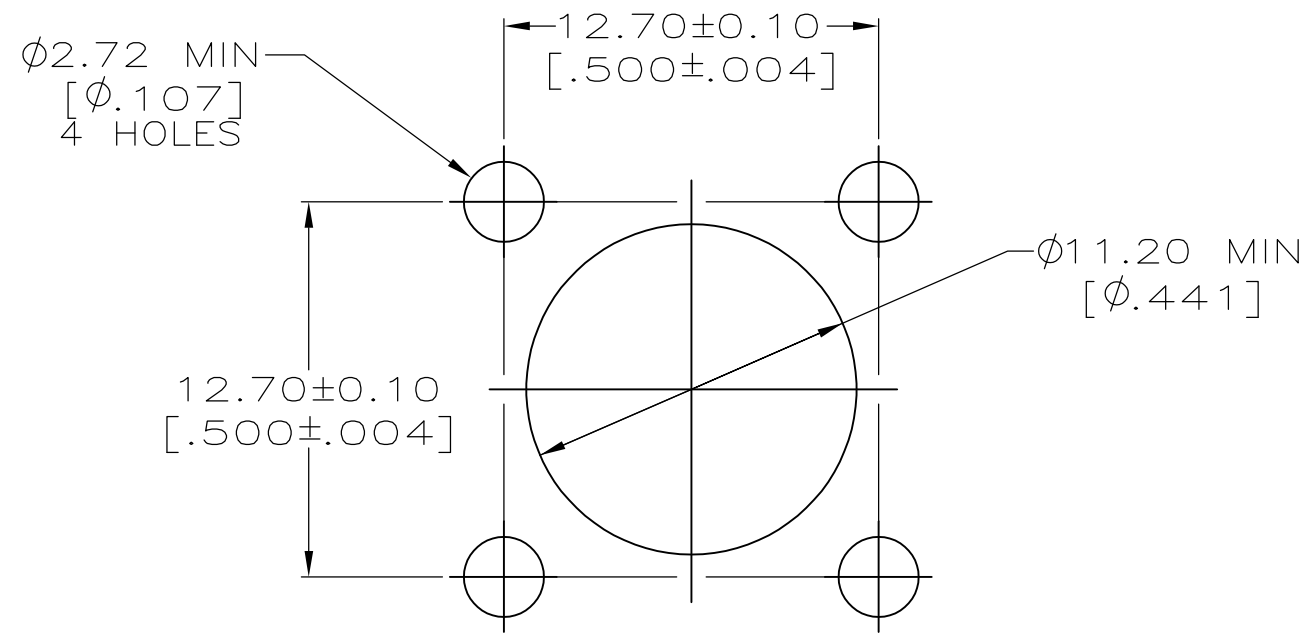
THIS DRAWING IS UNPUBLISHED. RELEASED FOR PUBLICATION
 © COPYRIGHT - By - ALL RIGHTS RESERVED.

LOC		DIST		REVISIONS			
P	LTR	DESCRIPTION	DATE	DWN	APVD		
	G	REV PER ECO-11-006359	12APR11	PY	BM		
	H	REVISED PER ECO-12-008922	06SEP12	MGM	WM		

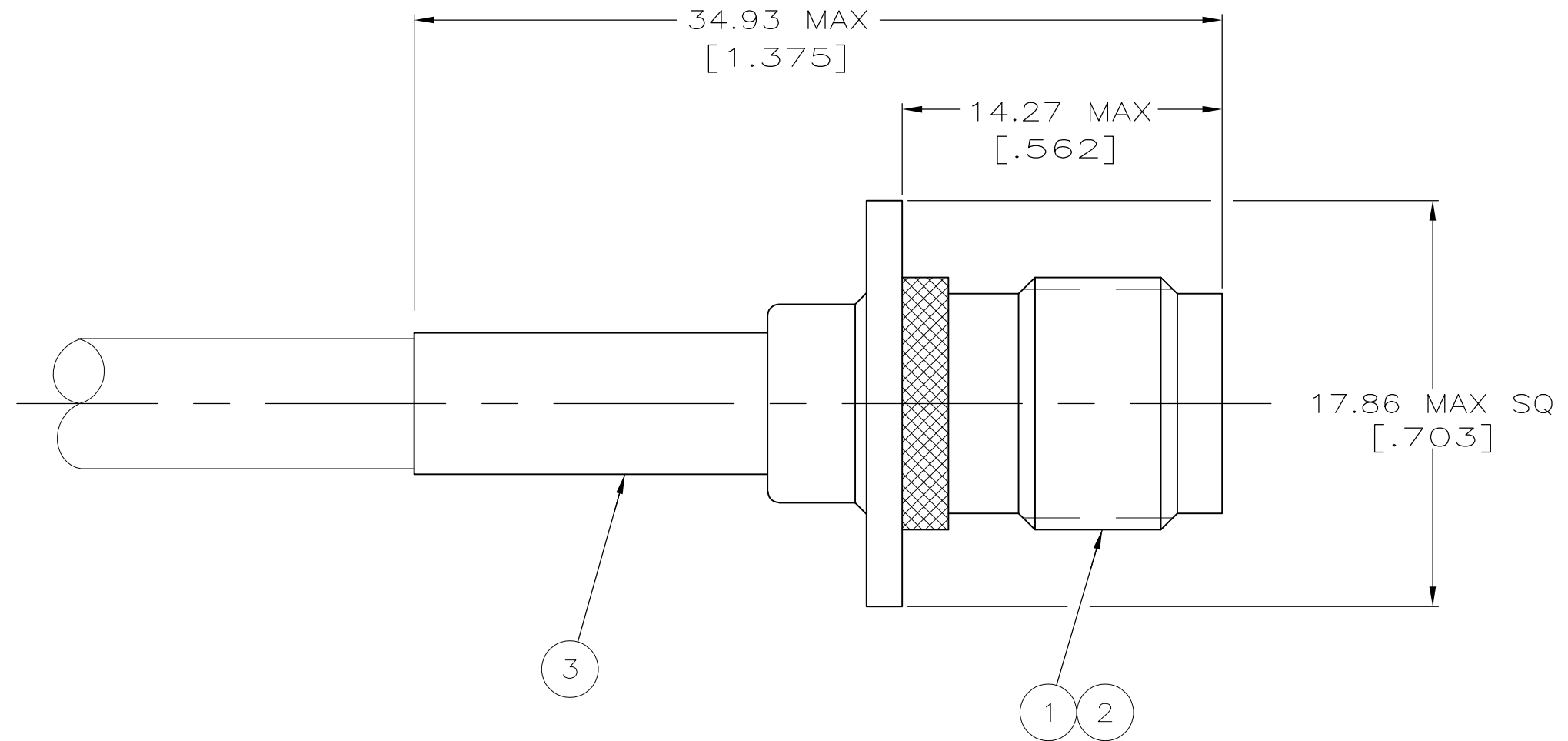


RECOMMENDED STRIP LENGTH

- 1. FOR USE WITH FILECA F1703/94 AND FILOTEX 50 MFCFB CABLE
- 2. SEE I.S. 408-2299-4



RECOMMENDED PANEL CUTOUT



-	1	220015-6	331256	225471-7	225613-3	1-225348-2
00779 M39012/29B0005 YY WW	RG-58A/U & RG-58C/U	220045-2	9-225381-1	225471-9	225474-1	225348-2
STAMPING	CABLE SIZE	CRIMP TOOL	3 FERRULE QTY=1	2 CONTACT QTY=1	1 JACK ASSEMBLY QTY=1	PART NUMBER

THIS DRAWING IS A CONTROLLED DOCUMENT.

DWN	B. SCOTT	3-13-91
CHK	J. LIPPERT	3-21-91
APVD	-	-
PRODUCT SPEC	108-12001	
APPLICATION SPEC	-	
WEIGHT	-	-
CUSTOMER DRAWING	SCALE 4:1	SHEET 1 OF 1

TE TE Connectivity

JACK, PANEL, SERIES TNC

SIZE A2 CAGE CODE 00779 DRAWING NO. C=225348 RESTRICTED TO -