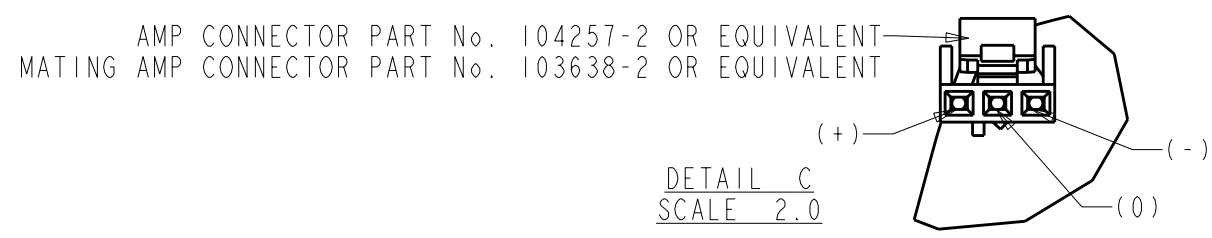
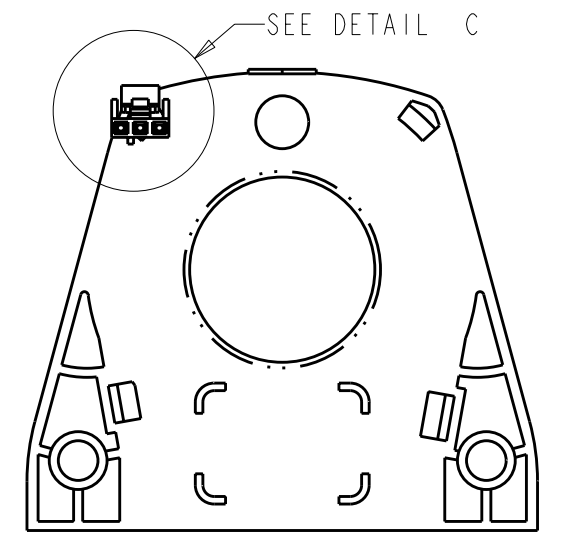
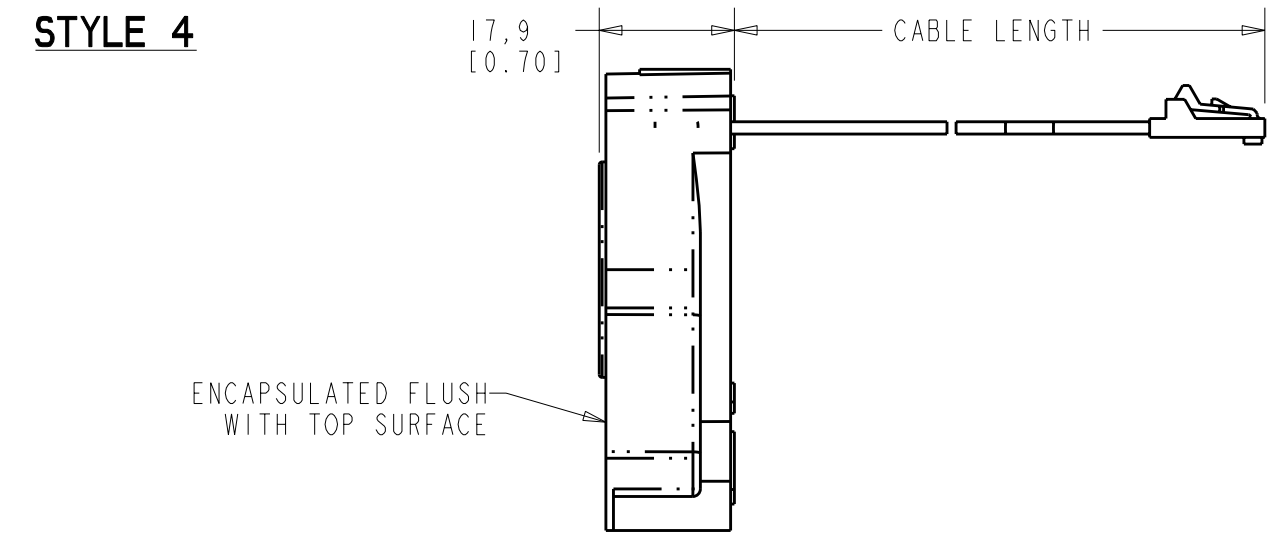
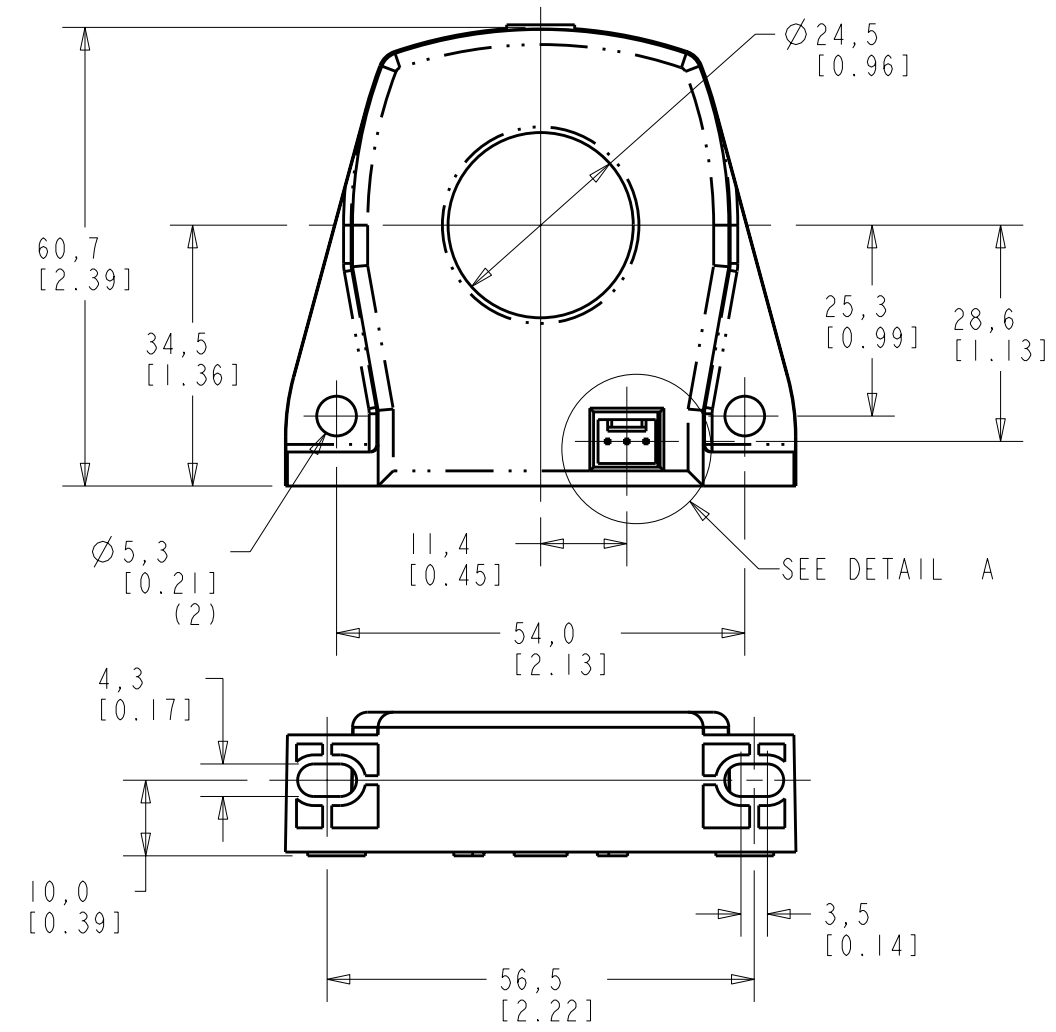
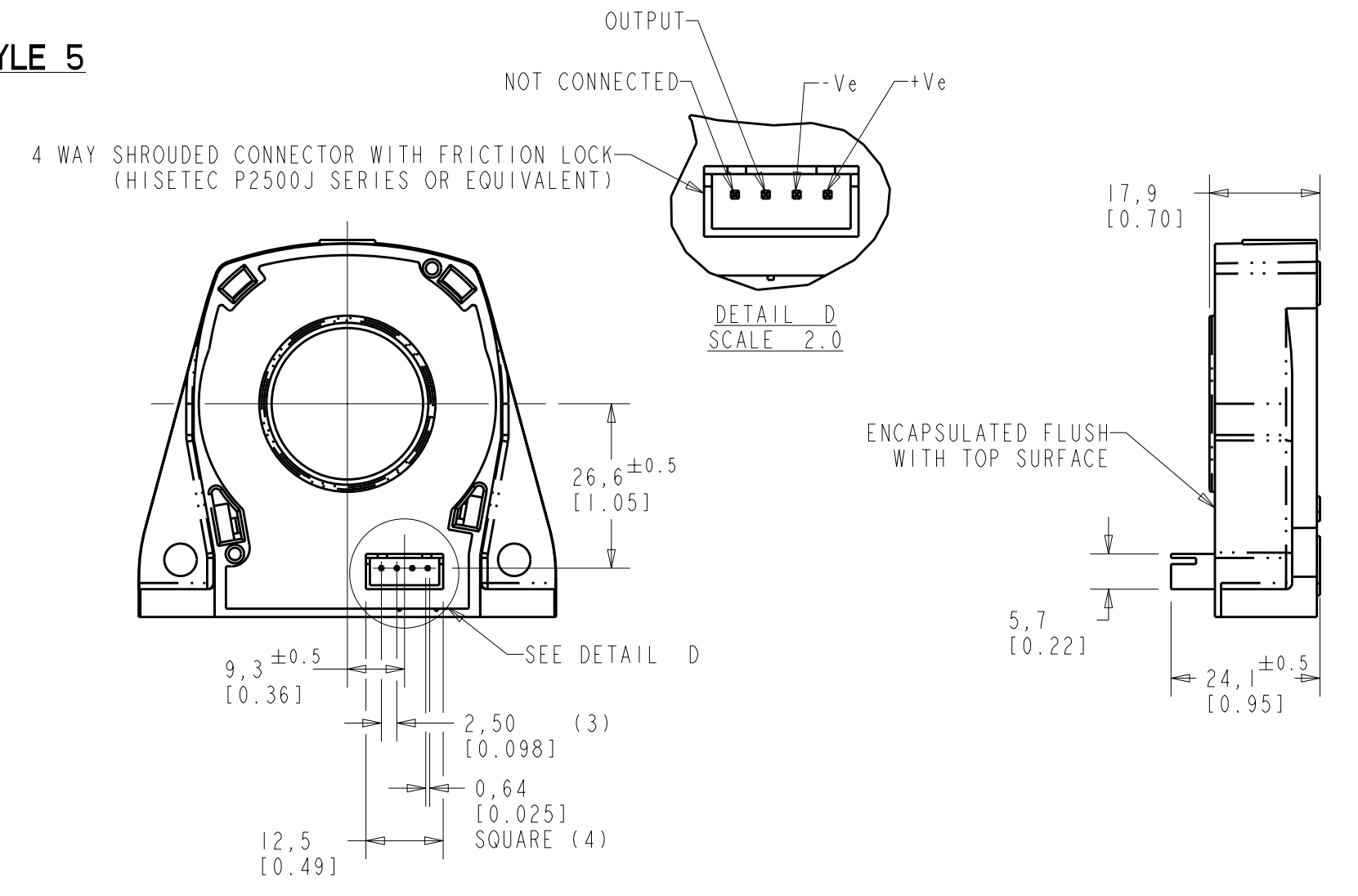


CATALOGUE LISTING	ISSUE	STYLE	SUPPLY VOLTAGE	SENSING RANGE			OUTPUT NOMINAL	MAXIMUM COIL RESISTANCE AT 70°C	No. OF TURNS	SECONDARY CONNECTION	CABLE LENGTH	
				NOMINAL	MAXIMUM DC	MAX AC Pk						
CSNS300M	1	1	±12V TO ±15V	300A	600A	600A	150mA	34Ω	2000	INTEGRAL CONNECTOR	200 ±5 (7.9 ±0.1)	
CSNS300P	1	2								PCB MOUNTING PINS		
CSNS300F	1	3								CONNECTOR ON RIBBON CABLE		
CSNS300F-001	2	4										330 (13)
CSNS300F-002	2											64 (2.5)
CSNS300M-001	1	5	±18V		825A		31Ω		INTEGRAL CONNECTOR			
CSNS300M-500	1	1										

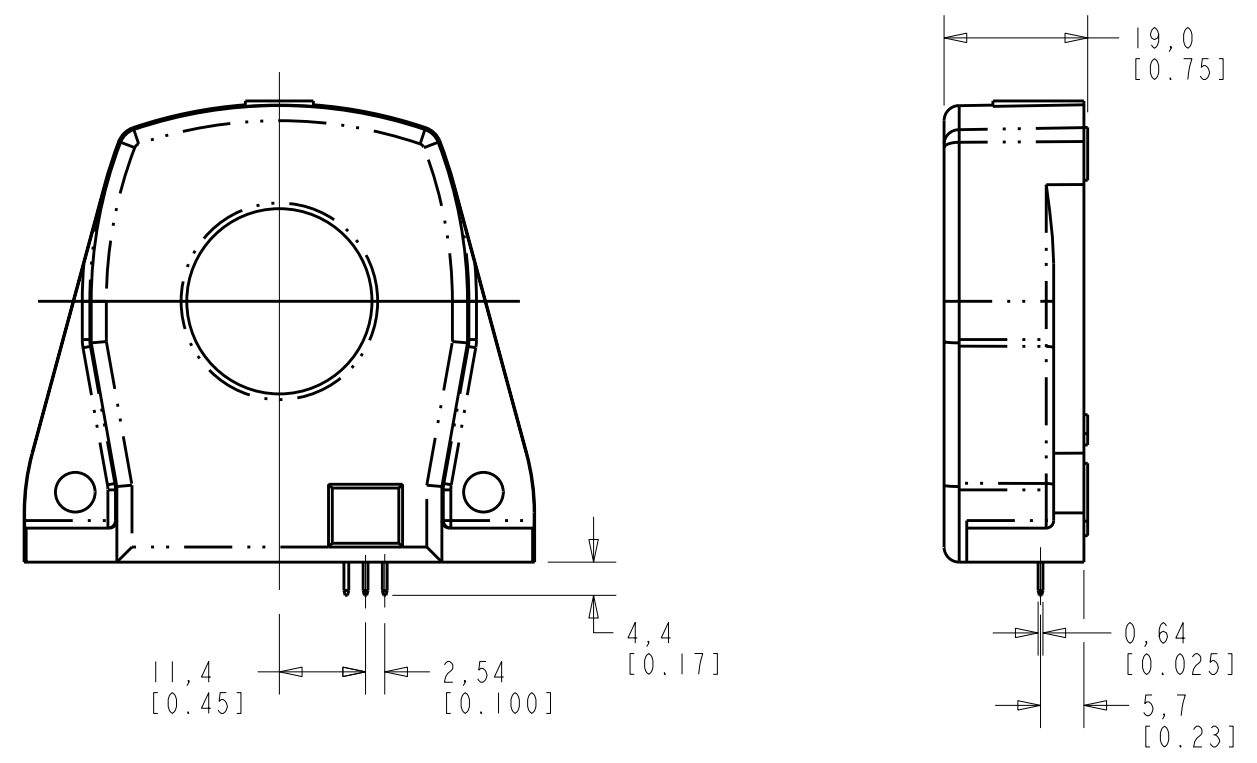
NOTES:-  
 1. HOUSING MATERIAL IS GLASS FILLED PBT.  
 2. OPERATING TEMPERATURE : -40°C TO +85°C.  
 3. PRIMARY CONNECTION : THROUGH HOLE.



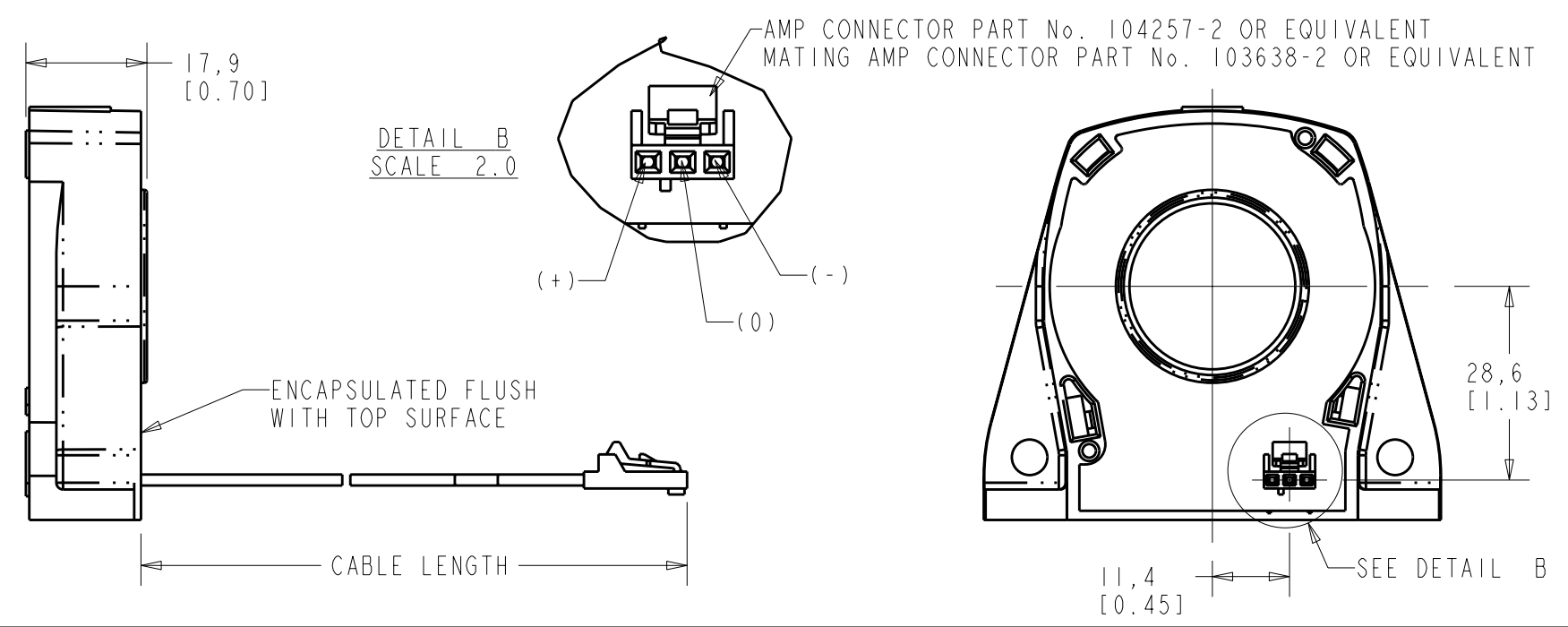
**STYLE 5**



**STYLE 2**



**STYLE 3**



DIMENSIONS ARE IN MILLIMETRES [INCHES]		FOR EXPLANATION OF DIMENSIONS, TOLERANCES, NOTES ETC. SEE B.S. 308		THIRD ANGLE PROJECTION	THE COPYRIGHT OF THIS DRAWING IS THE PROPERTY OF HONEYWELL LTD. THE DRAWING IS SUPPLIED IN CONFIDENCE AND MUST NOT BE USED FOR ANY PURPOSE OTHER THAN THAT FOR WHICH IT IS SUPPLIED	
MODIFY ON PRO-ENGINEER SYSTEM ONLY						
DRAWN		TITLE <b>300A NULL BALANCE CURRENT SENSOR</b>			SHT 1 OF 1	
DRAFTING CHECK					DRAWING NUMBER	
DESIGN CHECK					<b>MTG-CSN-320</b>	
AUTHORISATION		TOLERANCES UNLESS OTHERWISE STATED			SCALE 1/1	
DIMENSIONS SPECIFIED ARE TO BE MET BEFORE PROTECTIVE COATINGS ARE APPLIED		±0.2		Honeywell		DO NOT SCALE PRINT
						A2 FORMAT
						ISSUE <b>4</b>