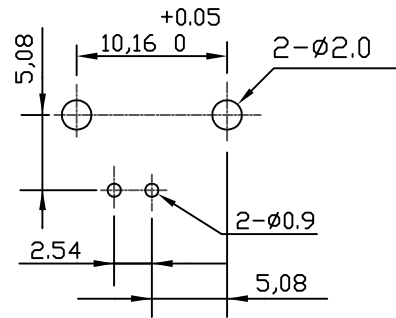
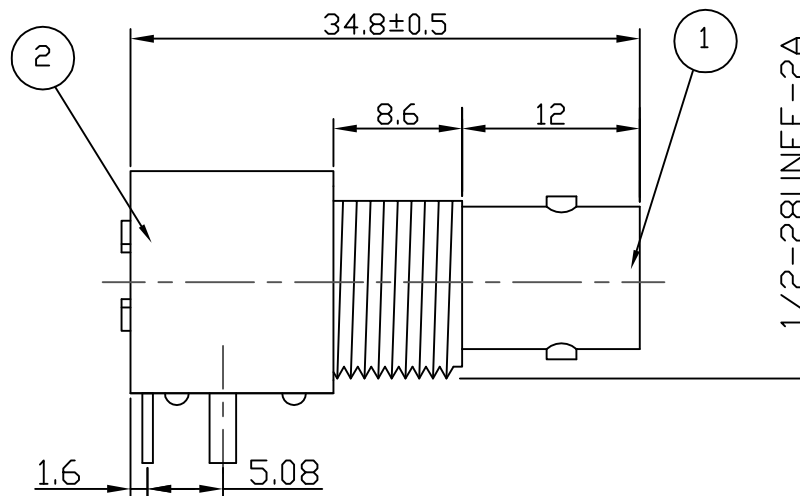
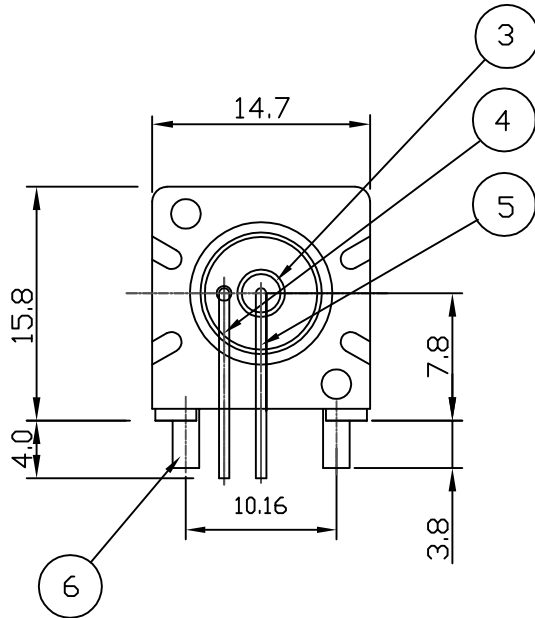
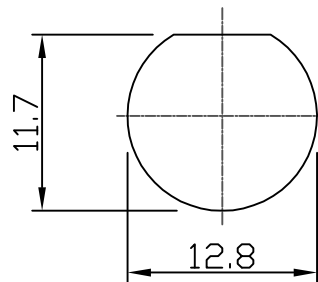


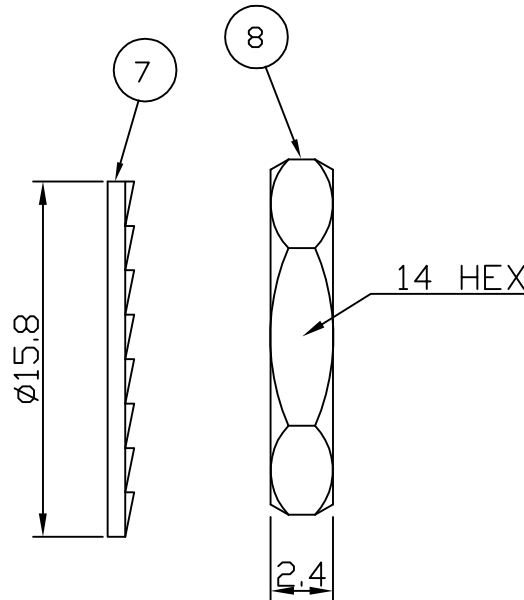
RoHS COMPLIANT



RECOMMENDED PCB LAYOUT



RECOMMENDED PANEL CUTOUT



Electrical Characteristics

Nominal Impedance:	75 ohms
Frequency Range:	DC to 1 GHz
VSWR:	1.3:1 maximum
Insertion Loss:	0.2 dB at 1 GHz
Operating Voltage (rms):	500 V maximum at sea level
Dielectric Withstand Voltage (rms):	1500 V maximum at sea level
Contact Resistance:	1.5 milliohms maximum
Insulation Resistance:	5000 megohms minimum

Mechanical Characteristics

Mating Cycles:	500 cycles minimum
Interface Dimensions:	Conform to MIL-C-39012

Environmental Characteristics

Temperature Range:	-65 °C to +165 °C
--------------------	-------------------

PART	DESCRIPTION
1	Shell Zinc Alloy, nickel plated
2	Body P.B.T. UL94V-0
3	Dielectric Polypropylene
4	Ground Terminal Brass, tin plated
5	Socket Contact Phosphor Bronze, gold plated
6	Mount Post Brass, tin plated >5 Microns
7	Lock Washer Iron, nickel plated
8	Hex Nut Zinc, nickel plated

DESCRIPTION OF REVISION	APPVD	ISS	DATE
Dimension Update	JC	7	13 May 15
1.6 Dimension Added	LB	6	20 May 10
Dimensional Changes	MS	5	07 May 08
Dimensional Changes	KA	4	13 Mar 08
CAD Issue	SN	3	14 Jan 02
Dimensional changes	PDC	2	04 Feb 00
First Issue	AT	1	19 Dec 97



11 Bilton Road,
Chelmsford, Essex,
CM1 2UP UK.
Tel: +44 (0) 1245 359515
Fax: +44 (0) 1245 358938

SCALE: Not To Scale

DIMENSIONS: mm

TOLERANCES:
± 0.2mm unless
otherwise stated

DRAWN BY:	S Nash
CHECKED BY:	S Nash
APPROVED BY:	M Nielsen
DATE:	14 Jan 02

TITLE:

BNC R/A PCB Mount Jack

PART NUMBER:

VBI201-75

PAGE: 1 of 1