

LOC	DIST	REVISIONS					
		P	LTR	DESCRIPTION	DATE	DWN	APVD
HJ	-		B13	ECR-12-014500 (IMD obsolete)	18DEC2012	UKo	AK
			B14	ECR-12-021486 (Marking C to Q)	20DEC2012	UKo	JB
			C	ECR-13-014508	13JUN2013	UKo	AK
			C1	ECR-14-007162 (Packaging information)	13OCT2015	AP	AK



Order Number - ABCCCC  
 Portugal made:  
 A - Packing day  
 B - Shift (1=day, 2=night)  
 C - Lot number (sequential)  
 Other country made:  
 A - Year (first digit)  
 B - Year (second digit)  
 C - Lot number (sequential)

H swiss made (until 2013)  
 PT Portugal made  
 Q China made  
 C China made (until 2012)  
 date code (YYWW)


Packaging data code (Box, bag, reels):  
 P(YWWDSL)000  
 Shipping data code:  
 YYWWDD

P - Product code (4 to IM relay)  
 Y(Y) - Year (last digit for packaging)  
 WW - calendar week (from date code)  
 D - Day of the week (1=Sat,.....and 7=Fri)  
 S - Shift (1=day shift, 2 night shift)  
 L - Production Line (line A, B, C)  
 000 - For internal use

Relay-Typ	Mark 1)	Mark 2)	PN (GR)	PN (JR)	PN (TS)	PN (KS/NS)
IM00..	00	1.5	3-1462037-7		3-1462037-5	
IM00NS	00N	1.5				
IM01..	01	3	1462037-1	4-1462037-0	1462037-4	
IM01B..	01B	3	4-1462039-5			
IM01C..	01C	3	1462038-4			
IM01NS	01N	3				1-1462038-1
IM01N..L	01N	3				4-1462039-3
IM02..	02	4.5	1462037-9	1-1462037-1	1-1462037-3	6-1462039-4
IM02..	02	4.5	8-1462039-1			
IM02..L	02	4.5	2-1462039-3			
IM02C..	02C	4.5	1462038-1			
IM02D..	02D	4.5	9-1462038-8			
IM02H..	02H	4.5	1-1462039-1			
IM02NS	02N	4.5				1-1462038-2

\*obsolete

DRAWING ALIAS: IM0C-DOK17

DIMENSIONS: mm	DWN HD 9121	21FEB2003	MATERIAL	-	FINISH	-
	CHK HD 9121	21FEB2003	 TE Connectivity			
TOLERANCES UNLESS OTHERWISE SPECIFIED: DIN 7168-m	APVD HD 9121	21FEB2003				
0 PLC ±-	PRODUCT SPEC	-	NAME IM-Relay Marking			
1 PLC ±-	APPLICATION SPEC	-	SIZE	CAGE CODE	DRAWING NO	RESTRICTED TO
2 PLC ±-	WEIGHT	-	A4	00779	C- 1462037-1	-
3 PLC ±-	CUSTOMER DRAWING		SCALE	10:1	SHEET	1 OF 6
4 PLC ±-					REV	C1
ANGLES ±-						

LOC	DIST	REVISIONS					
HJ	-	P	LTR	DESCRIPTION	DATE	DWN	APVD
		-		SEE SHEET 1	-	-	-

Relay-Typ	Mark 1)	Mark 2)	PN (GR)	PN (JR)	PN (TS)	PN (KS/NS)
IM02NS..L	02N	4.5				2-1462039-4
IM02PNS	02P	4.5				5-1462039-8
IM03..	03	5	1-1462037-4	1-1462037-6	1-1462037-8	
IM03..L	03	5	2-1462039-5			
IM03..X	03	5	8-1462039-6			
IM03C..	03C	5	1462038-2		4-1462039-7	
IM03D..	03D	5	9-1462038-9	3-1462039-3	8-1462039-3	
IM03NS	03N	5				1-1462038-3
IM03P..	03P	5	5-1462039-5			
IM03PNS	03P	5				5-1462039-9
IM04..	04	6	4-1462037-2	4-1462037-4	4-1462037-1	
IM04B..	04B	6	6-1462039-5			
IM04NS	04N	6				1-1462038-4
IM05..	05	9	3-1462037-4	4-1462037-5	2-1462037-2	
IM05B..	05B	9	5-1462039-3			
IM05C..	05C	9	1462038-3			
IM05D..	05D	9	1-1462039-7			
IM05NS	05N	9				1-1462038-5
IM06..	06	12	2-1462037-3	4-1462037-6	2-1462037-7	
IM06C..	06C	12	9-1462037-9	3-1462039-4	4-1462037-9	
IM06D..	06D	12	1-1462039-8	7-1462039-0	3-1462039-8	
IM06NS	06N	12				1-1462038-6
IM06P..	06P	12	5-1462039-6			
IM06PNS	06P	12				6-1462039-0
IM07..	07	24	4-1462037-7	4-1462037-8	3-1462037-0	

\*obsolete

DRAWING ALIAS: IM0C-DOK17

DIMENSIONS:	DWN	21FEB2003	MATERIAL	FINISH		
mm	HD 9121		-	-		
TOLERANCES UNLESS OTHERWISE SPECIFIED: DIN 7168-m	CHK	21FEB2003	 TE Connectivity			
	APVD	21FEB2003				
0 PLC ±-	PRODUCT SPEC		NAME			
1 PLC ±-	-					
2 PLC ±-	APPLICATION SPEC		IM-Relay Marking			
3 PLC ±-	-					
4 PLC ±-			SIZE	CAGE CODE	DRAWING NO	RESTRICTED TO
ANGLES ±-	WEIGHT	-	A4	00779	C-1462037-1	-
CUSTOMER DRAWING			SCALE	SHEET	OF	REV
			10:1	2	6	C1

2000

RELEASED FOR PUBLICATION

ALL RIGHTS RESERVED.

© COPYRIGHT 2000

THIS DRAWING IS UNPUBLISHED.

LOC <b>HJ</b>	DIST <b>-</b>	REVISIONS					
		P	LTR	DESCRIPTION	DATE	DWN	APVD
		-		SEE SHEET 1	-	-	-

2000

RELEASED FOR PUBLICATION

THIS DRAWING IS UNPUBLISHED.

ALL RIGHTS RESERVED.

© COPYRIGHT 2000

Relay-Typ	Mark 1)	Mark 2)	PN (GR)	PN (JR)	PN (TS)	PN (KS/NS)
IM07C..	07C	24	1462039-2		1462039-1	
IM07D..	07D	24		7-1462039-4	7-1462039-2	
IM07NS	07N	24				1-1462038-7
IM08I..	08I	2.4			1462047-3	
IM11..	11	3	9-1462038-5			
IM12..	12	4.5	1462039-3			
IM13..	13	5	1462039-4			
IM15..	15	9	8-1462039-5			
IM16..	16	12	1462039-5			
IM17..	17	24	1462039-6		4-1462039-6	
IM21..	21	3	2-1462039-6		1-1462039-5	
IM22..	22	4.5	2-1462039-7		2-1462039-8	
IM23..	23	5	2-1462039-9		3-1462039-0	6-1462039-7
IM25..	25	9	3-1462039-5			
IM26..	26	12	3-1462039-1		3-1462039-2	
IM40..	40	1.5	5-1462037-1			
IM40D..	40D	1.5	8-1462039-4			
IM40NS	40N	1.5				1-1462038-8
IM41..	41	3	5-1462037-4	5-1462037-5	5-1462037-3	
IM41C..	41C	3	4-1462039-2			
IM41D..	41D	3	6-1462039-8			
IM41NS	41N	3				1-1462038-9
IM42..	42	4.5	3-1462037-1	5-1462037-7	5-1462037-6	
IM42C..	42C	4.5	4-1462039-1			
IM42D..	42D	4.5	1-1462039-9			

\*obsolete

DRAWING ALIAS: IM0C-DOK17

DIMENSIONS: <b>mm</b>	DWN HD 9121	21FEB2003	MATERIAL	FINISH		
	CHK HD 9121	21FEB2003				
TOLERANCES UNLESS OTHERWISE SPECIFIED: DIN 7168-m	APVD HD 9121	21FEB2003	 TE Connectivity			
	PRODUCT SPEC					
0 PLC ±-			NAME <b>IM-Relay Marking</b>			
1 PLC ±-						
2 PLC ±-			SIZE	CAGE CODE	DRAWING NO	RESTRICTED TO
3 PLC ±-			<b>A4</b>	00779	<b>C</b> - 1462037-1	-
4 PLC ±-			WEIGHT -			
ANGLES ±-			CUSTOMER DRAWING			
			SCALE	SHEET	OF	REV
			10:1	3	6	C1

LOC <b>HJ</b>	DIST <b>-</b>	REVISIONS					
		P	LTR	DESCRIPTION	DATE	DWN	APVD
		-		SEE SHEET 1	-	-	-

2000

RELEASED FOR PUBLICATION

THIS DRAWING IS UNPUBLISHED.

ALL RIGHTS RESERVED.

© COPYRIGHT 2000

Relay-Typ	Mark 1)	Mark 2)	PN (GR)	PN (JR)	PN (TS)	PN (KS/NS)
IM42DNS	42D	4.5				1-1462039-6
IM42NS	42N	4.5				2-1462038-0
IM42P..	42P	4.5	5-1462039-7			
IM42PNS	42P	4.5				7-1462039-8
IM43..	43	5	5-1462037-9	6-1462037-0	5-1462037-8	
IM43C..	43C	5	9-1462038-7			
IM43NS	43N	5				2-1462038-1
IM44..	44	6	6-1462037-2	6-1462037-3	6-1462037-1	
IM44NS	44N	6				2-1462038-2
IM45..	45	9	6-1462037-4	6-1462037-5	3-1462037-2	
IM45I..	45I	9	1462047-5			
IM45NS	45	9				2-1462038-3
IM46..	46	12	6-1462037-7	6-1462037-8	6-1462037-6	
IM46C..	46C	12	8-1462039-0			
IM46NS	46N	12				2-1462038-4
IM46PNS	46P	12				6-1462039-1
IM47..	47	24	7-1462037-0		6-1462037-9	
IM47D..	47D	24		7-1462039-5		
IM47NS	47N	24				2-1462038-5
IM48..	48	2.4	1462039-8			
IM48D..	48D	2.4	1462039-9			
IM48I..	48I	2.4	1462047-1			
IM49I..	49I	2	1462047-4			

\*obsolete

DRAWING ALIAS: IM0C-DOK17

DIMENSIONS: <b>mm</b>	DWN HD 9121	21FEB2003	MATERIAL	FINISH
	CHK HD 9121	21FEB2003		
TOLERANCES UNLESS OTHERWISE SPECIFIED: DIN 7168-m	APVD HD 9121	21FEB2003	 TE Connectivity	
	PRODUCT SPEC			
0 PLC ±-			NAME <b>IM-Relay Marking</b>	
1 PLC ±-				
2 PLC ±-			SIZE	CAGE CODE
3 PLC ±-			<b>A4</b>	00779
4 PLC ±-			DRAWING NO	RESTRICTED TO
ANGLES ±-			<b>C</b> - 1462037-1	-
	WEIGHT	-	CUSTOMER DRAWING	
			SCALE	SHEET
			<b>10:1</b>	<b>4</b> OF <b>6</b>
				REV <b>C1</b>

LOC <b>HJ</b>	DIST <b>-</b>	REVISIONS					
		P	LTR	DESCRIPTION	DATE	DWN	APVD
		-		SEE SHEET 1	-	-	-

2000

RELEASED FOR PUBLICATION

THIS DRAWING IS UNPUBLISHED.

ALL RIGHTS RESERVED.

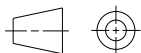
© COPYRIGHT 2000

Relay-Typ	Mark 1)	Mark 2)	PN (GR)	PN (JR)	PN (TS)	PN (KS/NS)
IM61..	61	3	7-1462039-7			
IM68..	68	2.4	8-1462039-2			
IMB01C..	B01C	3	1462041-1		1462041-4	
IMB02C..	B02C	4.5	1462041-2			
IMB03C..	B03C	5	1462041-7			
IMB03C..E	B03C	5	1-1462041-8			
IMB04C..	B04C	6	1462041-9		1-1462041-1	
IMB05C..	B05C	9	1-1462041-0		1-1462041-2	
IMB06C..	B06C	12	1462041-3		1462041-6	
IMB07C..	B07C	24	1-1462041-3		1-1462041-4	
IMB32B..	B32B	4.5	2-1462041-0			
IMB33B..	B33B	5	1-1462041-9			
IMB41C..	B41C	3	1-1462041-7			
IMB42C..	B42C	4.5	1-1462041-6		1-1462041-5	

\*obsolete

DRAWING ALIAS: **IM0C-DOK17**

DIMENSIONS: <b>mm</b>	DWN HD 9121	21FEB2003	MATERIAL	FINISH		
	CHK HD 9121	21FEB2003				
TOLERANCES UNLESS OTHERWISE SPECIFIED: DIN 7168-m	APVD HD 9121	21FEB2003	 <b>TE</b> Connectivity			
	PRODUCT SPEC					
0 PLC ±-			NAME <b>IM-Relay Marking</b>			
1 PLC ±-						
2 PLC ±-			SIZE	CAGE CODE	DRAWING NO	RESTRICTED TO
3 PLC ±-			<b>A4</b>	00779	<b>C</b> - 1462037-1	-
4 PLC ±-			CUSTOMER DRAWING			
ANGLES ±-			SCALE	SHEET	OF	REV
			<b>10:1</b>	<b>5</b>	<b>6</b>	<b>C1</b>



LOC <b>HJ</b>	DIST <b>-</b>	REVISIONS					
		P	LTR	DESCRIPTION	DATE	DWN	APVD
		-		SEE SHEET 1	-	-	-

2000

RELEASED FOR PUBLICATION

ALL RIGHTS RESERVED.

© COPYRIGHT 2000

Relay-Typ	Mark 1)	Mark 2)	PN (GR)	PN (JR)	PN (TS)	PN (KS/NS)
IMC01..	C01	3	1462042-1		1462042-4	
IMC02..	C02	4.5	1462042-2		1462042-5	
IMC03..	C03	5	1462042-8		1462042-7	
IMC06..	C06	12	1462042-3		1462042-6	
IMC07..	C07	24	1-1462042-1		1-1462042-2	
IMC02C..	C02C	4.5	1-1462042-0			
IMC03C..	C03C	5	1-1462042-5			
IMC06C..	C06C	12	1462042-9		1-1462042-4	
IMC41C..	C41C	3			1-1462042-3	
IME01..	E01	3	1462043-1		1462043-5	
IME02..	E02	4.5	1462043-2		1462043-6	
IME03..	E03	5	1462043-3		1462043-7	
IME06..	E06	12	1462043-4		1462043-8	
IMF61..	F61	3	1462048-3			
IMF68..	F68	2.4	1-1462048-0			

\*obsolete

DRAWING ALIAS: **IM0C-DOK17**

DIMENSIONS: <b>mm</b>	DWN HD 9121	21FEB2003	MATERIAL	-	FINISH	-
	CHK HD 9121	21FEB2003	 <b>TE Connectivity</b>			
TOLERANCES UNLESS OTHERWISE SPECIFIED: DIN 7168-m	APVD HD 9121	21FEB2003				
0 PLC ±-	PRODUCT SPEC	<b>IM-Relay Marking</b>				
1 PLC ±-	-					
2 PLC ±-	APPLICATION SPEC	NAME				
3 PLC ±-	-	SIZE	CAGE CODE	DRAWING NO	RESTRICTED TO	
4 PLC ±-	-	<b>A4</b>	00779	<b>C</b> - 1462037-1	-	
ANGLES ±-	WEIGHT	-	CUSTOMER DRAWING			
		SCALE	10:1	SHEET	6	OF 6
		REV	<b>C1</b>			