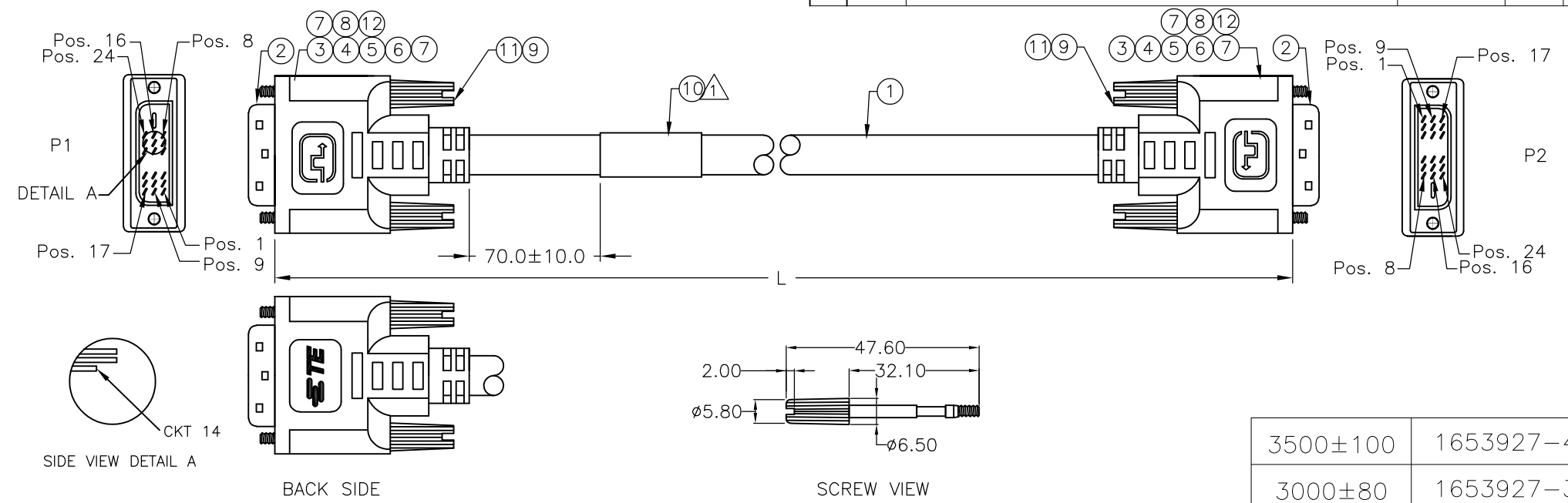


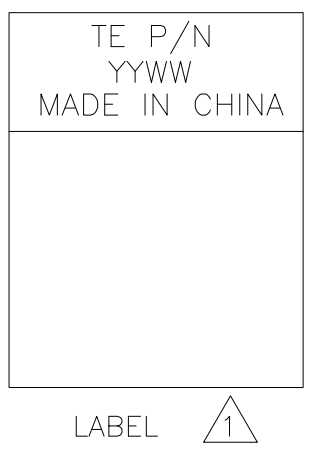
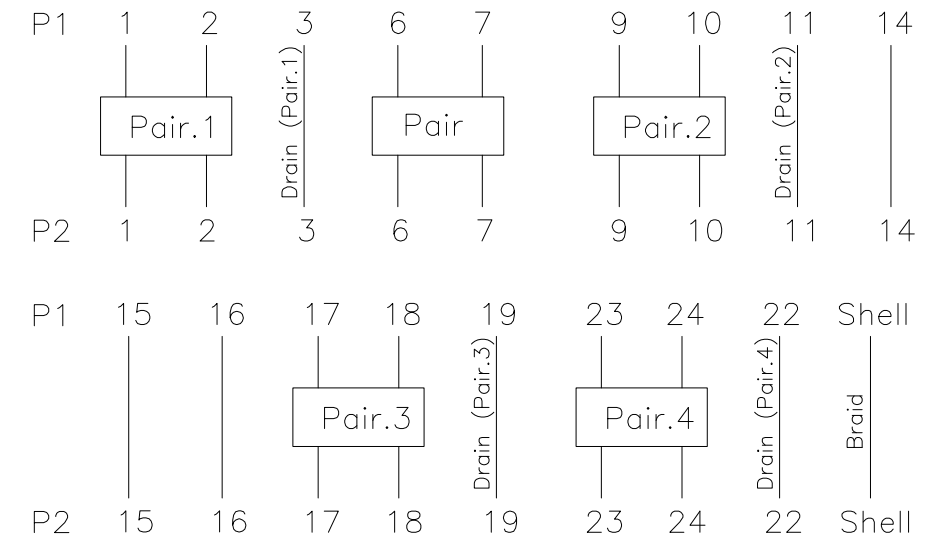
THIS DRAWING IS UNPUBLISHED. RELEASED FOR PUBLICATION
 © COPYRIGHT - By - ALL RIGHTS RESERVED.

LOC	DIST	REVISIONS					
GP	00	P	LTR	DESCRIPTION	DATE	DWN	APVD
		T1		ECR-13-002092	17APR2013	RK	JK
		T2		ECR-13-010482	02JUL2013	GSK	PFR



- NOTES :
- CABLE LABEL TO BE APPLIED AS SHOWN.
 - CABLE SHALL BE TESTED WITH AUTOMATED TEST EQUIPMENT FOR THE FOLLOWING:
 - A. CONNECTION RESISTANCE SHALL NOT EXCEED 1.8 OHMS.
 - B. INSULATION RESISTANCE 100M OHMS, MIN.
 - C. HIPOT-300 VOLTS AT 0.01 SEC.
 - CABLE ASSEMBLY MUST PASS DVI 1.0 SPECIFICATION.
 - 100% DISPLAY-SCREEN FUNCTIONAL TESTING

PIN ASSIGNMENT :



						OBSELETE		
2	AR	AR	AR	MR	UL TAPE BLACK		3500±100	1653927-4
7.2	AR	AR	AR	KG	PVC, 95±3 SHORE, WHITE(WH03)		3000±80	1653927-3
1	1	1	1	PC	Label, Size: 25.0*35.0mm, White: 25.0*13.0mm.		2000±60	1653927-2
4	4	4	4	PC	DVI #4-40 3*45mm Thumbscrew.		1000±30	1653927-1
90	AR	AR	AR	MR	Copper Foil, W: 8mm.		LENGTH(L)	TE P/N
32	AR	AR	AR	KG	PVC, Shore A 90±3, Color: White (WH03).			
360	AR	AR	AR	MR	Heat Shrink Tubing, OD:3.5mm, Color: Black.			
80	AR	AR	AR	MR	Heat Shrink Tubing, OD:1.5mm, Color: Black.			
240	AR	AR	AR	MR	Heat Shrink Tubing, OD:1.0mm, Color: Black.			
120	2	2	2	PC	Metal Can For DVI Connector, Meet OD: 8.0mm			
2	2	2	2	PC	DVI-D Digital, 18Pin+1Pin, Gold Flash			
AR	AR	AR	AR	MR	UL20276 (1P*28AWG+Drain+AL/Mylar)*4+(1P+3C)*28AWG+Al/Mylar+Braid. Color: Black(BK01)			
-4	-3	-2	-1	U/M				
						DESCRIPTION	ITEM	

THIS DRAWING IS A CONTROLLED DOCUMENT.

DWN	JURRY LIU	22JAN03
CHK	MONTGOMERY, JOHN D	15JUN04
APVD	MONTGOMERY, JOHN D	15JUN04

STE TE Connectivity

NAME: DVI_D SINGLE LINK CABLE ASSEMBLY

SIZE	CAGE CODE	DRAWING NO	RESTRICTED TO
A3	00779	C-1653927	-

CUSTOMER DRAWING

SCALE: N.T.S. SHEET: 1 OF 1 REV: T2