

PLEASE CHECK WWW.MOLEX.COM FOR LATEST PART INFORMATION

Part Number: [73386-0851](#)
Status: **Active**
Overview: [SMA RF Connectors](#)
Description: 50 Ohms, UFL Plug to SMA Plug Adapter, One Piece Per Bag

Documents:

[Drawing \(PDF\)](#) [RoHS Certificate of Compliance \(PDF\)](#)

General

Product Family	RF/Coax Connectors
Series	73386
Overview	SMA RF Connectors
Product Name	BSA, SMA
Style	Adapter
UPC	884982673274
Wire/Cable Type	N/A

Physical

Gender	Plug/Plug
Keying to Mating Part	None
Net Weight	3.440/g
Orientation	Straight
PCB Mounting	N/A
Packaging Type	Bag
Panel Mount	No
Panel Mount Method	N/A
Reverse Polar	No

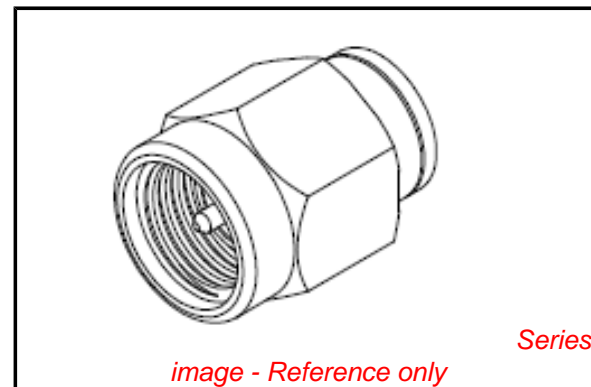
Electrical

Impedance	50#
-----------	-----

Material Info

Reference - Drawing Numbers

Sales Drawing	SD-73386-085
---------------	--------------



EU RoHS

RoHS Compliant RF Product

REACH SVHC

Not Reviewed

Low-Halogen Status

Not Reviewed

China RoHS



Pb

Need more information on product environmental compliance?

Email productcompliance@molex.com
 For a multiple part number RoHS Certificate of Compliance, [click here](#)

Please visit the [Contact Us](#) section for any non-product compliance questions.

Search Parts in this Series

[73386Series](#)