

Technical Data Sheet
Plastic Gear Analog Servo
Part No. LS-0003

1. Apply Environmental Condition

No.	Item	Specification
1-1	Storage Temperature Range	-20°C - 60°C
1-2	Operating Temperature Range	-10°C - 50°C
1-3	Operating Voltage Range	4.2V - 5V

2. Standard Test Environment

No.	Item	Specification
2-1	Standard Test Environment	Any test must be under normal temperature and humidity. Temperature: $25 \pm 5^{\circ}\text{C}$ Humidity: $65 \pm 10\%$, according to the standard to judge.

3. Electrical Specification (Function of the Performance)

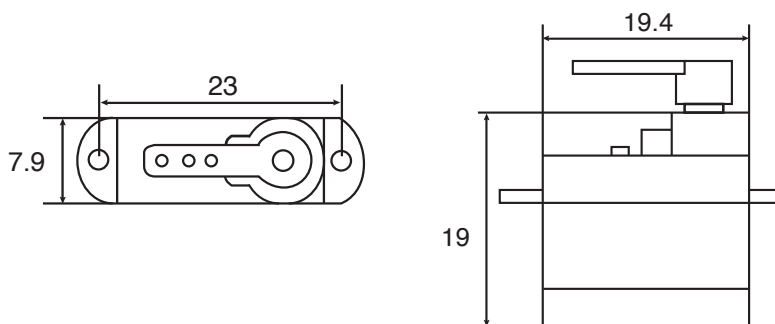
No.	Item	4.2V	5V
4-1	Operating speed (at no load)	0.14 sec / 60°	0.12 sec / 60°
4-2	Running current (at no load)	100 mA	140 mA
4-3	Stall torque (at locked)	0.4 kg-cm,	0.6 kg-cm
4-4	Stall current (at locked)	500 mA	540m A
4-5	Idle current (at stopped)	4 mA	5 mA

4. Mechanical Specification

No.	Item	Specification
5-1	Overall Dimensions	19.4*7.9*19
5-2	Limit angle	180°± 10°
5-3	Weight	3± 1 g
5-4	Connector wire gauge	# 28 PVC
5-5	Connector wire length	150 ± 5 mm
5-6	Horn gear spline	20T/ψ 3.6
5-7	Horn type	Cross, disk, star
5-8	Reduction ratio	378 : 1

5. Control Specification

No.	Item	Specification
6-1	Control system	Change pulse width
6-2	Amplifier type	Analog control
6-3	Operating travel	90° (at 1000 → 2000 μsec)
6-4	Neutral position	1500 μsec
6-5	Dead band width	4 μsec
6-6	Rotating direction	anticlockwise (at 1500 → 2000 μsec)
6-7	Pulse width range	800 → 2200 μsec
6-8	Maximum travel	about 165° (at 800 → 2200 μsec)



Leo Sales Ltd.

Richmond, BC, Canada | support@leosales.com