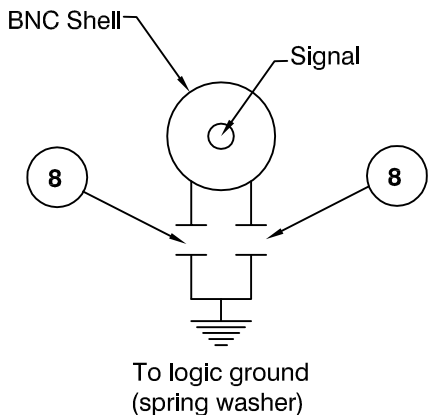
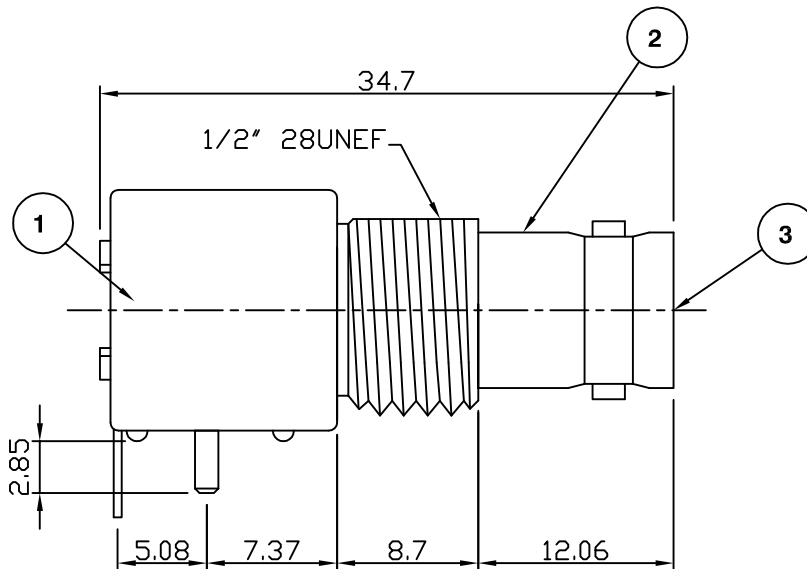
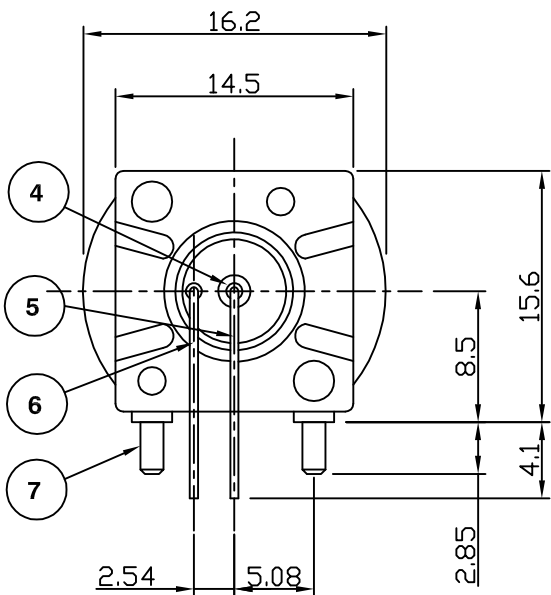
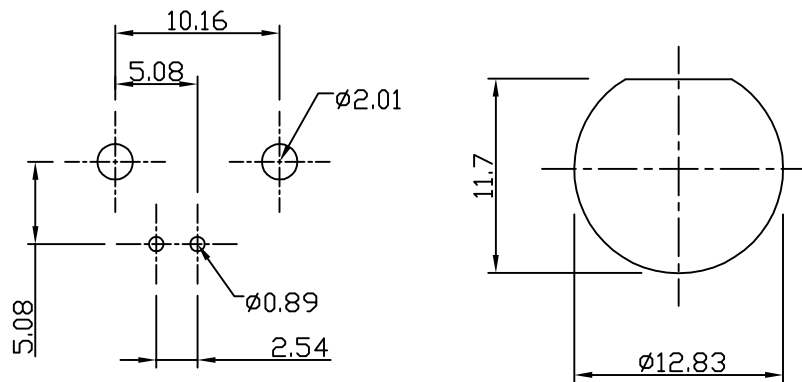


RoHS COMPLIANT



Capacitor Circuit Diagram



Recommended PCB Layout

Panel Cut-out

**Electrical Characteristics**

Nominal Impedance:	75 ohms
Frequency Range:	DC to 1 GHz
Operating Voltage (rms):	500 V maximum at sea level
Dielectric Withstand Voltage (rms):	1500 V maximum at sea level
Contact Resistance:	3.0 milliohms maximum
Insulation Resistance:	5000 megohms minimum

**Mechanical Characteristics**

Mating Cycles:	500 cycles minimum
Interface Dimensions:	Conform to MIL-C-39012

**Environmental Characteristics**

Temperature Range:	-65 °C to +165 °C
--------------------	-------------------

PART	DESCRIPTION
1	Body PBT + 30% Glass Fibre (UL:94V-0)
2	Body Zinc Alloy, nickel plated
3	Insulator Polypropylene
4	Contact Phosphor bronze, gold plated (Interface)
5	Signal Lead Copper clad steel, tin plated
6	Ground Terminal Copper wire, tin plated
7	Mounting Post Brass, tin plated
8	Ceramic Chip Capacitor X 2 4700 pF ±10%

Corrected note Item 5, was tin lead	MS	2	05 Sep 13
First Issue	SN	1	11 Dec 01
DESCRIPTION OF REVISION	APPVD	ISS	DATE



Cinch Connectivity Solutions  
11 Bilton Road,  
Chelmsford, Essex,  
CM1 3AA,  
UK.  
Tel: +44 (0) 1245 359515  
Fax: +44 (0) 1245 358938

SCALE: Not To Scale

DIMENSIONS: mm

TOLERANCES:  
± 0.2mm unless  
otherwise stated

DRAWN BY:

S Nash

CHECKED BY:

P Couzens

APPROVED BY:

M Nielsen

DATE:

11 Dec 01

TITLE:

BNC Right Angle PCB Mount  
Jack Filter Connector

PART NUMBER:

**VBF201-75**

PAGE: 1 of 1