

6

5

4

3

2

1

E

E

D

D

C

C

B

B

A

A

6

5

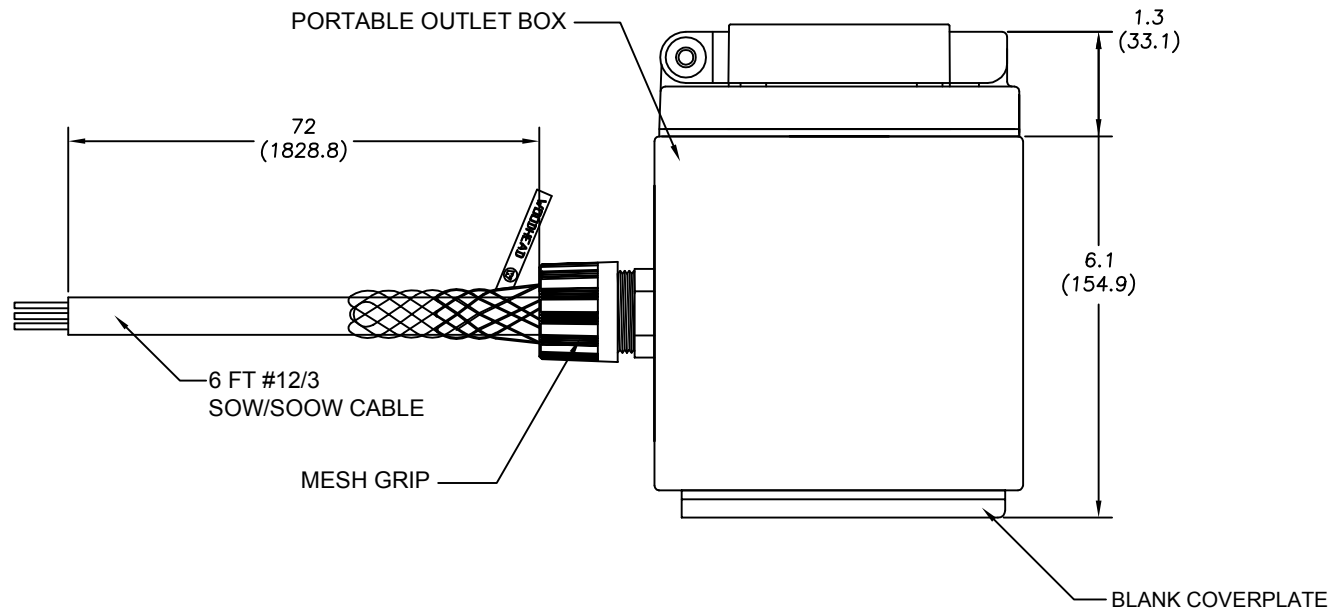
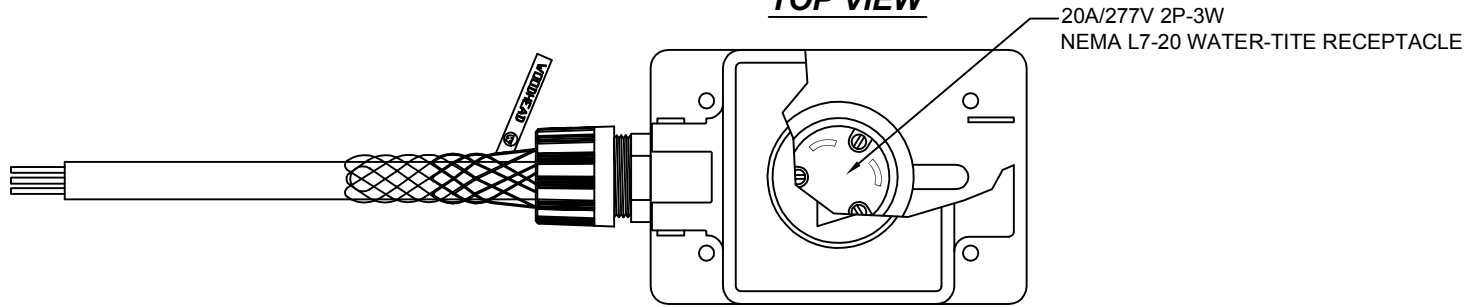
4

3

2

1

TOP VIEW



RELEASE DRAWING EC NO: WNA2010-0227 DRWN: TVICKERS 9/24/09 CHKD: KA APPR: DTITUS 2009/10/21	DESCRIPTION PORTABLE OUTLET BOX W/ 6#12/3 459 COVER & MESH GRIP	QUALITY SYMBOLS ▽=0 ∇C=0		GENERAL TOLERANCES (UNLESS SPECIFIED)		DIMENSION STYLE IN/MM		SCALE NTS	DESIGN UNITS INCH	THIRD ANGLE PROJECTION
		4 PLACES	±----	±----	DRAWN BY	DATE	TITLE PORTABLE OUTLET BOX W/ 6#12/3 459 COVER & MESH GRIP			
		3 PLACES	±----	±.005	CHECKED BY	DATE	MOLEX INCORPORATED			
		2 PLACES	±----	±.020	APPROVED BY	DATE	MATERIAL NO. 1301370269			
1 PLACE	±----	±.010	ANGULAR ±.5°		DOCUMENT NO. SD-130137-011		SHEET NO. 1 OF 1			
DRAFT WHERE APPLICABLE MUST REMAIN WITHIN DIMENSIONS				SIZE A		THIS DRAWING CONTAINS INFORMATION THAT IS PROPRIETARY TO MOLEX INCORPORATED AND SHOULD NOT BE USED WITHOUT WRITTEN PERMISSION				