

Ø 42 mm 14 to 31 Watts 31 W Part number 82800502



- Usable power : 12 to 22 Watts
- For high-power drive applications
- Sintered bronze bearings lubricated for life
- Power supply by 4.75 mm tags
- Interchangeable brushes
- Optional channel encoder

Part numbers

	Type	Type	Voltage	References
82800502	31 W	828005	24 V	Without encoder

Specifications

No-load characteristics

Speed of rotation (rpm)	4010
Absorbed power (W)	12,24
Absorbed current (A)	0,51

Nominal characteristics

Speed (rpm)	3070
Torque (mNm)	70
Usable power (W)	22
Absorbed power (W)	41
Absorbed current (A)	1,71
Gearbox case temperature rise (°C)	40
Efficiency (%)	54

General characteristics

Insulation class (conforming to IEC 85)	F (155 °C)
Protection (IEC/EN 60529)	IP20
Max. output power (W)	31
Start torque (mNm)	298
Starting current (A)	6,16
Resistance (Ω)	3,9
Inductance (mH)	9,35
Torque constant (Nm/A)	0,0527
Electrical time constant (ms)	2,4
Mechanical time constant (ms)	15
Thermal time constant (mn)	12
Inertia (g.cm ²)	110
Weight (g)	400
Number of segments	8
Service life (h)	2000
Sintered bronze bearings	■
Replaceable brushes	■

Encoder characteristics

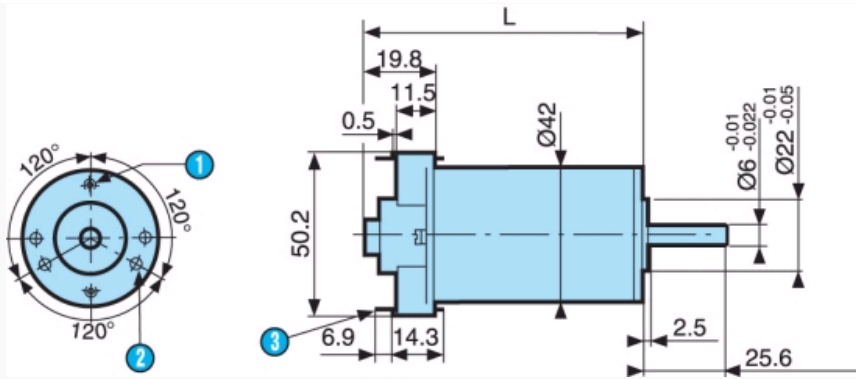
Output current (mA)	< 25 (25 °C)
Supply (V)	4,5 →30 DC
Ambient temperature (°C)	-40 →85 °C

Made to order products, available on request

- Built-in interference suppression (82 830 5)
- Special interference suppression (82 800 5 - 82 810 5)
- Other supply voltages
- Motor with 1 ball bearing at front (82 800 5 or 82 810 5) (essential for vertical motor)
- Shaft lengths at front and/or rear
- Reversible 5 pulses/revolution magnetic encoder (1 or 5 pulses/revolution)
- Other fixing flanges on front or rear
- Short version possible on 82 830 5 (L = 90 mm)

Dimensions (mm)

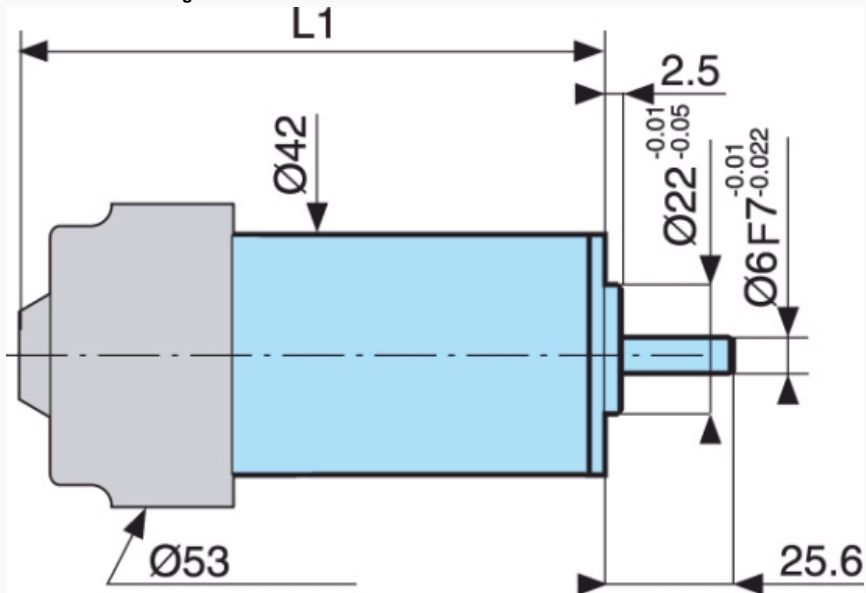
828005 - 828105



N°	Legend
1	2 x M3 at 180°, depth 5 mm over Ø 32
2	2 holes Ø 2.75 at 120° depth 5 mm over Ø 32
3	2 tags IEC 760, series 4.8 x 0.5
	L : 828005 : 84.8 mm max.
	L : 828105 : 69.8 mm max.

Dimensions (mm)

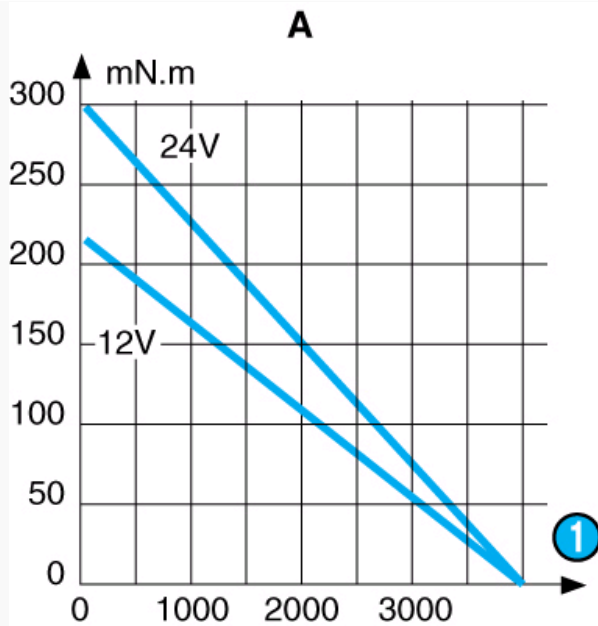
Dimensions with magnetic encoder



N°	Legend
	L1 : 828005 : 99.1 mm max.
	L1 : 828105 : 84.1 mm max.

Curves

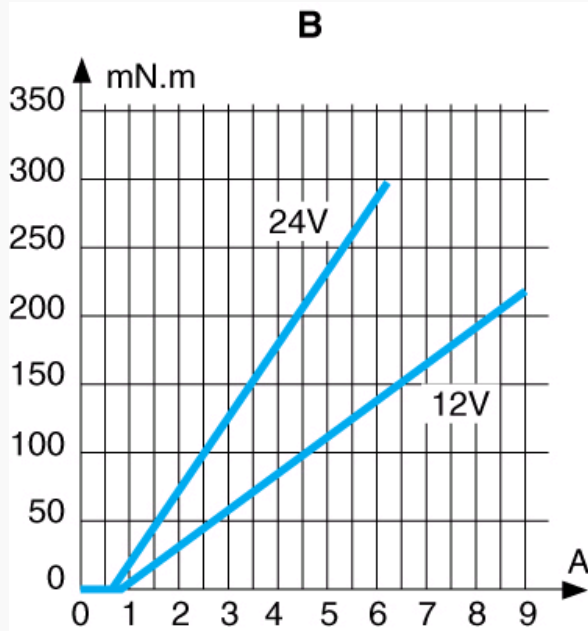
828005



N°	Legend
①	rpm
	Torque/speed curve

Curves

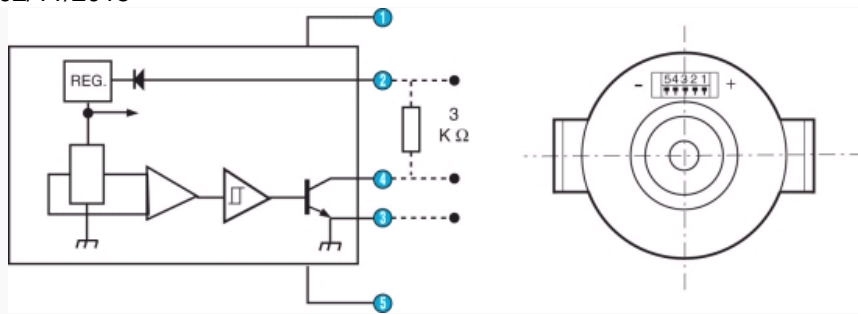
828005



N°	Legend
	Torque/current curve

Connections

Encoder and connector : STOCKO MKS 3735-6-0-505



Part number of female connector to be used : STOCKO MKF 17-230 / 260 / 330 / 360

N°	Legend
①	Motor power supply
②	+5 → +24 V DC (encoder power supply)
③	0 V DC (encoder power supply)
④	Encoder signal output
⑤	Motor power supply

Product adaptations



- Special output shaft
- Pinion on output shaft
- Special supply voltage
- Special ball bearings
- Optical or Hall effect encoder
- Special mounting plate
- Special connections