

PART NAME: KNOB SCALE: 1:1 DATE: 6/7/95 DR. BY HD

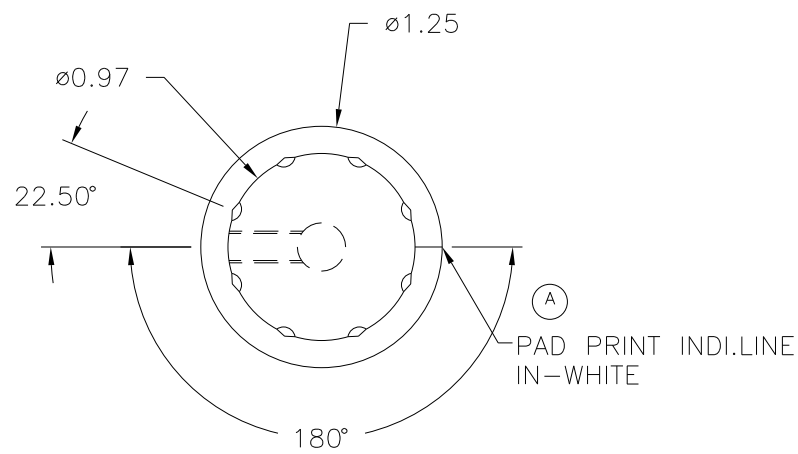
THIS DRAWING IS THE PROPERTY OF DAVIES MOLDING COMPANY, IS SUBMITTED SOLELY AS A DESIGN OR ENGINEERING PROJECT. WE ACCEPT NO RESPONSIBILITY WHATSOEVER FOR THE PRACTICAL APPLICATION OF THE PIECES MADE TO THIS DESIGN.

DAVIES MOLDING COMPANY
CAROL STREAM, ILLINOIS 60188

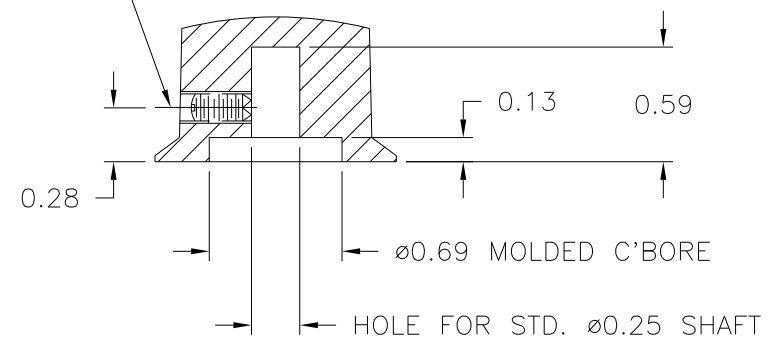
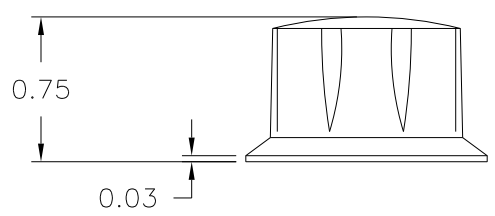
P/N 1920AJ

BASE PART 1920-01

SET SCREW I0358



USE #28 DRILL, #8-32 TAP
8-32 X 5/16 LG. CUP POINTED,
HEADLESS, SLOTTED TYPE
SET SCREW I0358 (1) REQ'D



MATERIAL: G.P. PHENOLIC (B11)
COLOR: BLACK

TOLERANCES: UNLESS OTHERWISE SPECIFIED	DO NOT SCALE DRAWING	A	WAS MOLDED INDI. GROOVE LINE	HD	6/8/04
DECIMALS: X.XXX ± .005 X.XX ± .015	MM: X.XX ± 0.15MM X.X ± 0.4MM	-	UPDATED TOOLBOX	JAM	10/24/02
FRACTIONS ± 1/64	ANG. ± 1°	-	REDRAWN	TL	11/2/99
CHANGES					