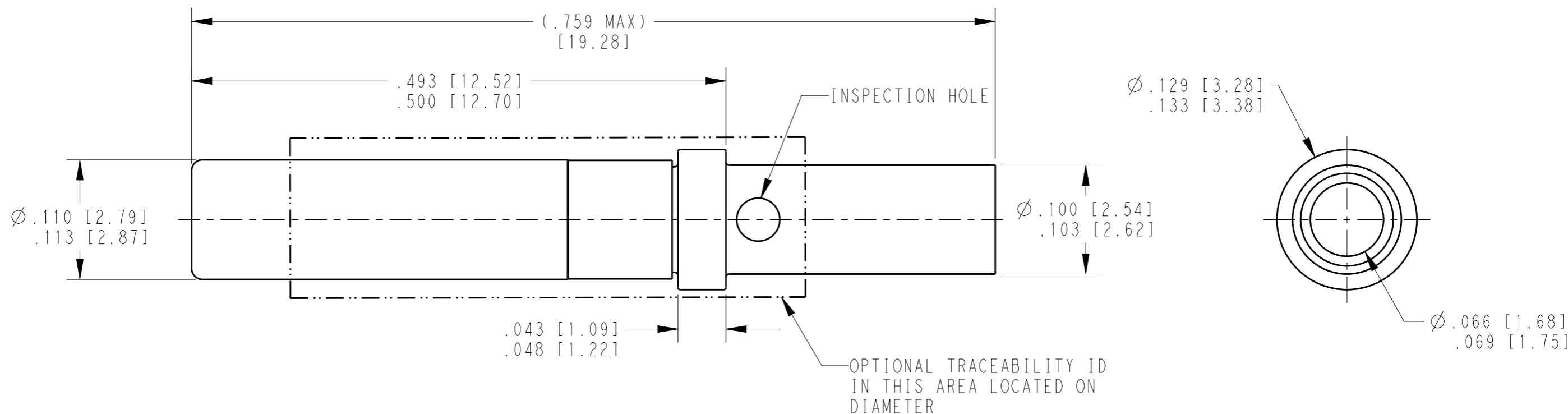


REVISIONS

P	LTR	DESCRIPTION	DATE	DWN	APVD
	NC	NEW RELEASE PER E.O. P15506	23DEC1997	DM	RDR
	A	RELEASED PER E.O. P15996	25MAY1999	DM	RDR
	B	RELEASED PER PCN E-18-001206	24JAN2018	JA	DM



TE INTERNAL PN	DEUTSCH PN	PLATING
0462-201-1631	0462-201-1631	GOLD
0462-201-16141	0462-201-16141	NICKEL

THIS DRAWING IS A CONTROLLED DOCUMENT.		DWN D. MEYER 17DEC1997	STE TE Connectivity	
DIMENSIONS: INCHES [mm]		CHK V. TOMSA 25MAY1999		
TOLERANCES UNLESS OTHERWISE SPECIFIED:		APVD R. REED 25MAY1999	NAME CONTACT SOCKET SIZE 16	
0 PLC \pm		PRODUCT SPEC 0425-015-0000	SIZE A3	
1 PLC \pm		APPLICATION SPEC 0425-205-0000	CAGE CODE 4AFU8	DRAWING NO 0462-201-16XX
2 PLC \pm		WEIGHT 0.60g	RESTRICTED TO -	
3 PLC \pm		CUSTOMER DRAWING	SCALE 10:1	SHEET 1 OF 1
4 PLC \pm				REV B
ANGLES \pm				
FINISH				

NOTES:
1. WIRE RANGE : 20 AWG TO 16 AWG [0.5 - 1.5 mm²].