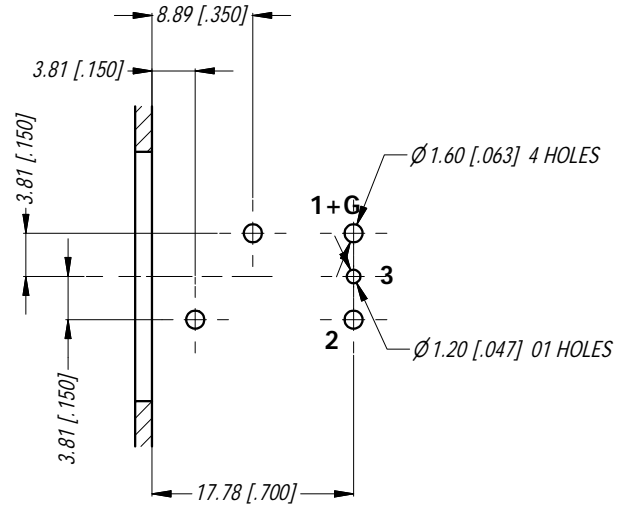


MIN MOUNTING PITCH (1:1)

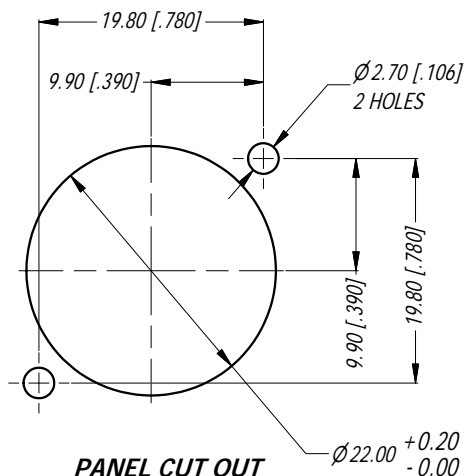


PCB LAYOUT

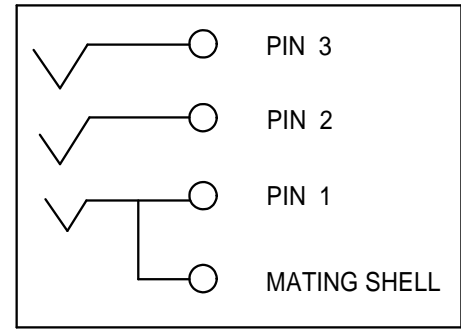
TOLERANCE: ± 0.05 [$\pm .002$]

NOTE: DIMENSIONS IN PARENTHESES ARE IN INCHES.

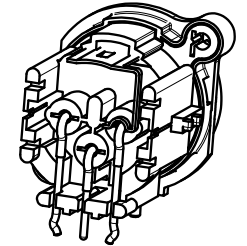
NOTE: SUFFIX "B" IN THE PART No. INDICATES BULK PACK



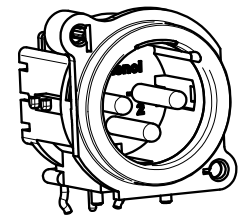
PANEL CUT OUT
REAR VIEW



SCHEMATIC CHART



3D VIEW (1:1)



REV	DESCRIPTION	DATE	BY	CHG No
2	ADD SUFFIX B TO PART No.	27/08/15	T.N	9318
1	ADD SCHEMATIC CHART	06/26/09	A.O	8793
0	FIRST ISSUE	03/09/07	T.N	8686

REVISION HISTORY

UNLESS OTHERWISE SPECIFIED TOLERANCE TO BE:		THIS DOCUMENT IS THE PROPERTY OF AMPHENOL AUSTRALIA PTY. LTD. NO PART THEREOF MAY BE REPRODUCED AND USED WITHOUT THE PRIOR WRITTEN CONSENT OF THE OWNER															
LINEAR	ANGULAR	CAD FILE: 55010481000211	DRN: T.N	DATE: 04/09/07	<table border="1"> <tr> <td colspan="2">TITLE:</td> <td rowspan="4"> Amphenol Amphenol Australia Pty.Ltd. 2 Fiveways Blvd, Keysborough, Vic3173 </td> <td rowspan="4">SHEET</td> </tr> <tr> <td colspan="2"> XLR MALE B TYPE CONNECTOR CUSTOMER DWG </td> <td rowspan="4"> 55010481-000-2 </td> </tr> <tr> <td colspan="2"> BREAK ALL SHARP EDGES AND REMOVE ALL BURRS </td> <td rowspan="4"> 2/2 </td> </tr> <tr> <td colspan="2"> DO NOT SCALE </td> </tr> </table>	TITLE:		Amphenol Amphenol Australia Pty.Ltd. 2 Fiveways Blvd, Keysborough, Vic3173	SHEET	XLR MALE B TYPE CONNECTOR CUSTOMER DWG		55010481-000-2	BREAK ALL SHARP EDGES AND REMOVE ALL BURRS		2/2	DO NOT SCALE	
TITLE:		Amphenol Amphenol Australia Pty.Ltd. 2 Fiveways Blvd, Keysborough, Vic3173	SHEET														
XLR MALE B TYPE CONNECTOR CUSTOMER DWG				55010481-000-2													
BREAK ALL SHARP EDGES AND REMOVE ALL BURRS						2/2											
DO NOT SCALE																	
X ± 0.5	X' ± 1	MATL: REFER TO COMPONENTS	CKD: P.M		DATE: 06/26/09												
X.X ± 0.1	X.X' $\pm 30^\circ$	FINISH: REFER TO COMPONENTS	APP'D: P.M	DATE: 06/26/09													
X.XX ± 0.05	X.XX' $\pm 15^\circ$	DIMENSIONS IN MILLIMETRES		SCALE: 1.5:1													



THIRD ANGLE PROJECTION

PART No: **AC3MBH3-AU**

SIZE: **A4**

DRAWING NO. **55010481-000-2**