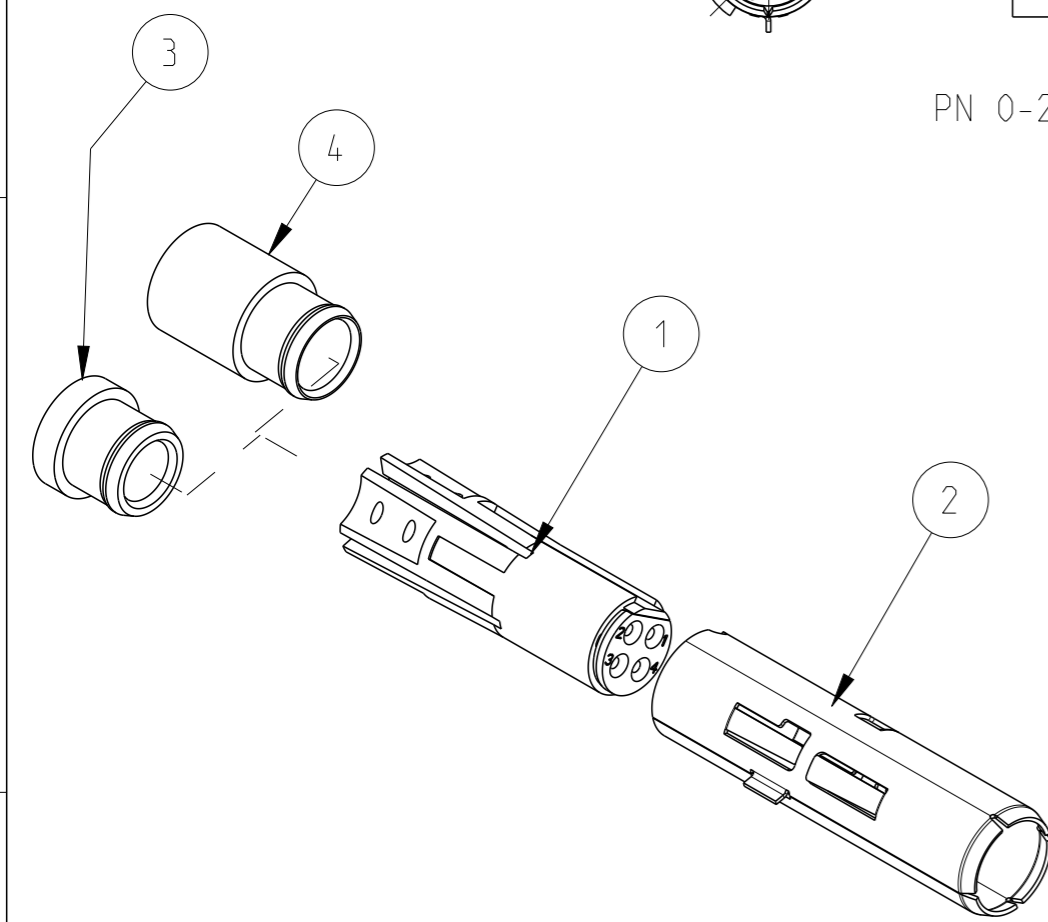
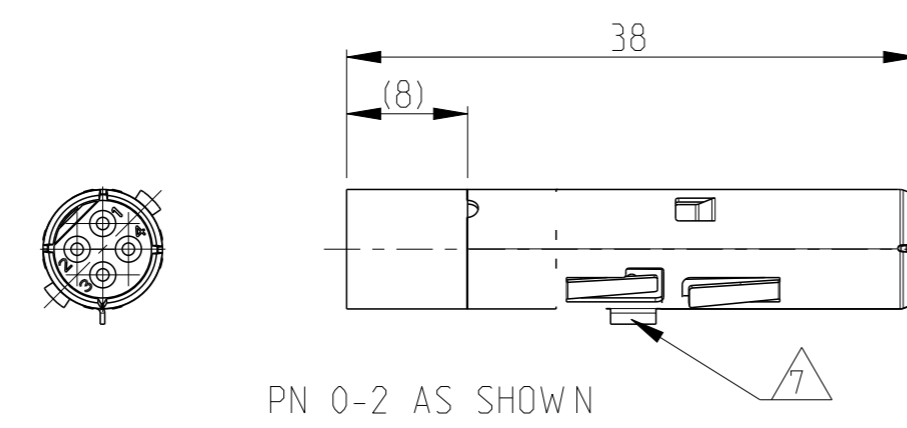
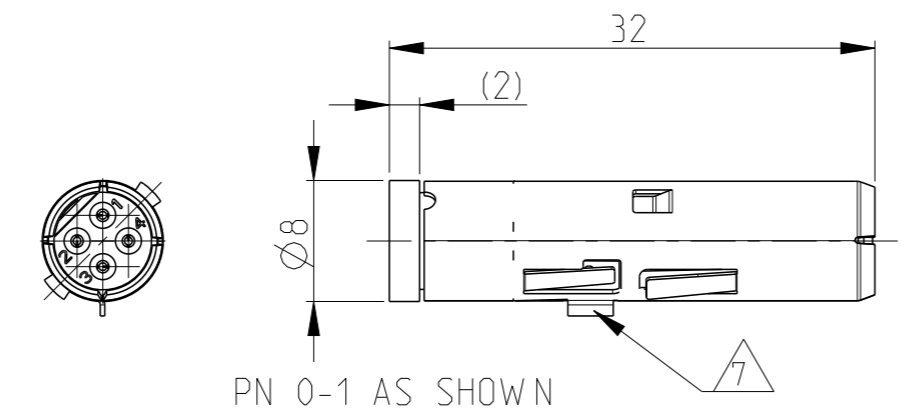


LOC	DIST	REVISIONS ÄNDERUNGEN					
AI	-	P	LTR	DESCRIPTION BESCHREIBUNG	DATE	DWN	APVD
PROJEKT NR.:			E1	CUT OFF ADDED BY AREA LEAD-IN CHAMFER	31MAY2012	KHH	HEIN
			F1	LOCKING LATCHES OF FEMALE SHELL CHANGED	02OCT2013	SH	DO
			F2	TITLE BLOCK: NAME CHANGED	09OCT2015	ER	DO
			F3	REV. PER ECR-16-000458	12JAN2016	ER	DO



- Notes
- 1 SUITABLE POWER INSERT: SERIES HC26
CUSTOMER DRAWING: 1103429
 - 2 SUITABLE CAT5e CABLE:
CUSTOMER DRAWING: 1103536
 - 3 SUITABLE CRIMP CONTACTS:
CUSTOMER DRAWING: 1658686
 - 4 SUITABLE INSERTION TOOL:
CUSTOMER DRAWING: 91285
 - 5 SUITABLE EXTRACTION TOOL:
CUSTOMER DRAWING: 91285
 - 6 STANDARDS:
DIN EN 61984, DIN EN 60664-1
 - 7 POLARIZATION RIP
 - 8 FOR WIRE-SHIELDING DIAMETER 5.0
 - 9 FOR WIRE-SHIELDING DIAMETER 4.2
 - 10 PACKAGING:
40 SETS IN A CARTON, UNMOUNTED

1	-	FERRULE	BRASS	SILVER PLATED	SERIES HC26, FEM. SHELL CRIMP VERSION	8	4
-	1	FERRULE	BRASS	SILVER PLATED	SERIES HC26, FEM. SHELL STANDARD	9	3
1	1	FEMALE SHELL	COPPER ALLOY	SILVER PLATED	SERIES HC26, 4 POS. 22 DF		2
1	1	FEMALE INSERT ASS'Y	PBT-GF10	GREY	SERIES HC26, 4 POS. 22 DF		1
0-2	0-1						
		DESCRIPTION	MATERIAL	COLOR/SURFACE	NOTE		ITEM

PARTS LIST (PER ONE UNIT)

DIESE ZEICHNUNG IST EIN KONTROLLIERTES DOKUMENT.
 BEMASSUNGEN UND TOLERANZEN GEMAESS GPS (ISO STANDARDS).

THIS DRAWING IS A CONTROLLED DOCUMENT.
 DIMENSIONING AND TOLERANCING PER GPS (ISO STANDARDS).

DIMENSIONS: MASSEINHEITEN: (MM)

TOLERANCES UNLESS OTHERWISE SPECIFIED: ALLGEMEINTOLERANZEN

0 PLC ±
 1 PLC ±
 2 PLC ±
 3 PLC ±
 4 PLC ±
 ANGLES/WINKEL ±

MATERIAL - FINISH/OBERFLAECHE/FARBE -

DWN H.BRAUN 19OCT2007
 CHK T.VETTER 27OCT2008
 APVD T.SCHNURPFIL 27OCT2008

PRODUCT SPEC PRODUKTSPEZ. 108-94485
 APPLICATION SPEC VERARBEITUNGSSPEZ. 114-94369

WEIGHT GEWICHT -

TOLERANCING ISO 8015
 TOLERIERUNG ISO 8015

TE TE Connectivity

NAME FEMALE INSERT ASS'Y
 SERIES HC26, 4-POS., 22DF
 CIRCULAR HYBRID CONNECTOR

SIZE A3 CAGE CODE 00779 DRAWING NO. ZEICHNUNGS-NR. C=1103427 RESTRICTED TO NUR FUER -

CUSTOMER DRAWING /KUNDENZEICHNUNG SCALE MASSSTAB 2:1 SHEET BLATT 1 OF VON 1 REV F3