

A

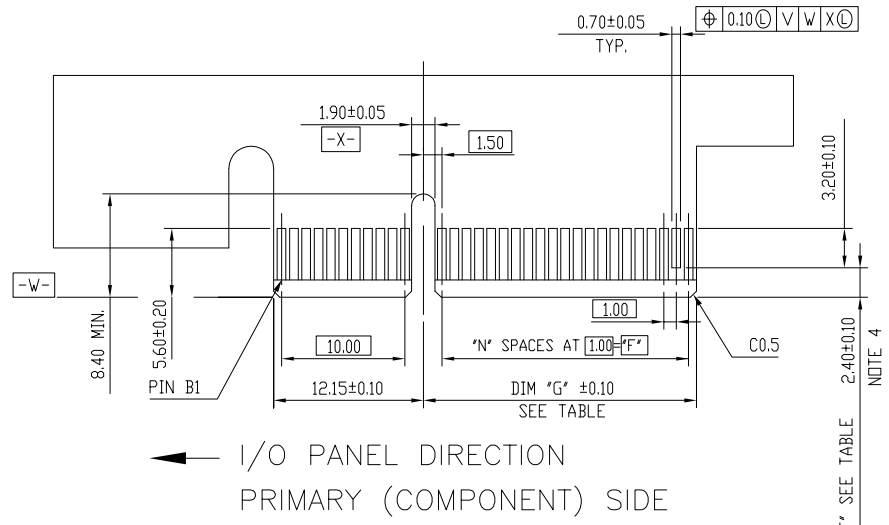
A

B

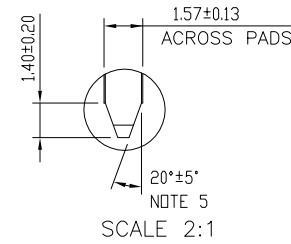
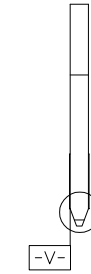
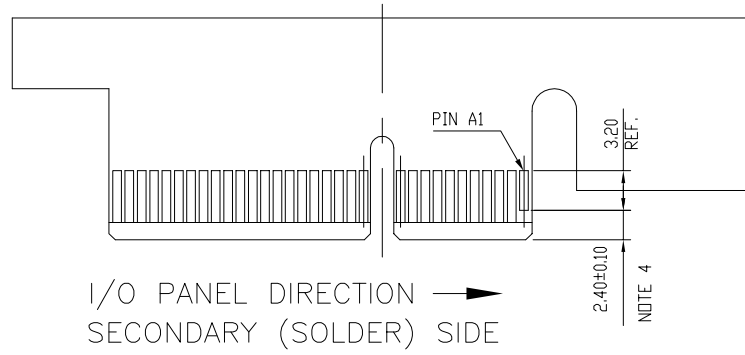
B

DIMENSIONS					
POSITION	A±0.20	B±0.20	C±0.20	D±0.23	E
36	7.65	27.00	9.15	25.00	6
64	21.65	41.00	23.15	39.00	20
98	38.65	58.00	40.15	56.00	37
164	71.65	91.00	73.15	89.00	70

mat'l. code		-		surface		- ✓		tolerance		ASME_Y14.5		projection		product family		PCI_EXPRESS	
lfr		ecn no		dr		date		tolerances unless otherwise specified		MM		title		PCI_EXPRESS_CARD_EDGE_GEN3 ASSEMBLY(SMT)			
B		DG-27072		ZH		2017-05-23		angles		±2'		scale N/A		dwg no		sheet 1 of 4 size	
								dr		ZHENHUA_LIU		2015-12-07		10136859		A4	
								enfr		ZHENHUA_LIU		2015-12-07		type		CUSTOMER Drawing	
								chr		STONE_LI		2015-12-07					
								appd		PM_ZHENG		2015-12-07					
sheet index		revision		B													

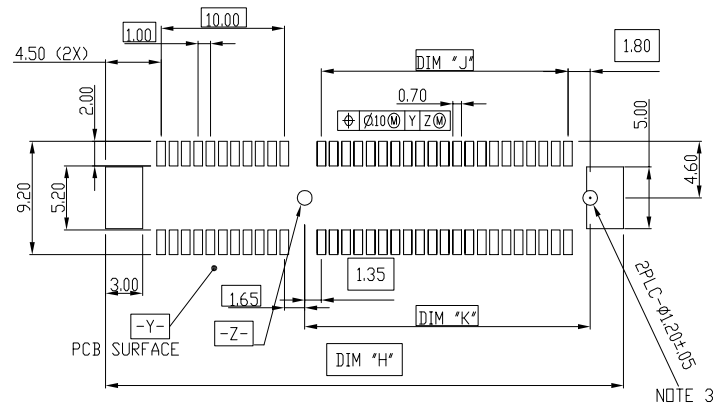


#	POS REF.	N	DIM "G"	DIM "F"	"F"
36	6	8.15	6.00	B17	
64	20	22.15	20.00	B31	
98	37	39.15	37.00	B48	
164	70	72.15	70.00	B81	



ADD-IN CARD EDGE-FINGER DIMENSIONS

mat'l. code		-		surface		- ✓		tolerance		ASME_Y14.5		projection		product family		PCI_EXPRESS	
lfr		ecn no		dr		date		tolerances unless otherwise specified		Ⓞ		title		PCI_EXPRESS_CARD_EDGE_GEN3		ASSEMBLY(SMT)	
								angles		LineG		MM		scale N/A		dwg no	
								±2'		.02±0.30		Amphenol		10136859		sheet 2 of 4	
										.00±0.20		FCI		A4		size	
										.000±0.10				CUSTOMER Drawing		type	
sheet		revision		B													
index		sheet															



RECOMMENDED PCB LAYOUT, PAD TYPE

DIMENSIONS				
POSITION	E	H ±0.10	J	K±0.10
36	6	28.00	6.00	9.15
64	20	42.00	20.00	23.15
98	37	59.00	37.00	40.15
164	70	92.00	70.00	73.15

mat'l. code		-		surface		- ✓		tolerance		ASME_Y14.5		projection		product family		PCI_EXPRESS	
lfr		ecn no		dr		date		tolerances unless otherwise specified		angles		MM		title		PCI_EXPRESS_CARD_EDGE_GEN3	
								±2'		.0±0.30		scale N/A		ASSEMBLY(SMT)		5	
								.00±0.20		.000±0.10		Amphenol FCI		dwg no		sheet 3 of 4 size	
				dr		ZHENHUA_LIU		2015-12-07						10136859		A4	
				enfr		ZHENHUA_LIU		2015-12-07									
				chr		STONE_LI		2015-12-07									
				appd		PM_ZHENG		2015-12-07									
sheet index		revision sheet		B													

NOTES:

1.MATERIAL:

- HOUSING: NYLON, GLASS FILLED UL94V-0 RATE, SUITABLE FOR I.R.SOLDERING.
- TERMINAL: COPPER ALLOY
- PLATING: SEE PRODUCT NUMBER CODE
- METAL PADS: COPPER ALLOY
- FINISH: TIN OVER NICKEL

2.PRODUCT SPECIFICATION: GS-12-390.PACKAGING SPECIFICATION: GS-14-1451

③THE HORIZONTAL AXIS FOR THE PAD PATTERN IS ESTABLISHED BY A LINE THROUGH THE CENTER OF THE TWO Ø1.0 HOLES.

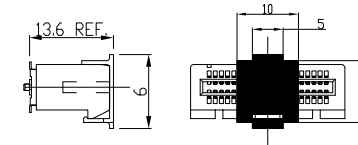
THE VERTICAL AXIS IS 90° TO THE HORIZONTAL AXIS, THROUGH THE CENTER OF DATUM -Z-

④NO TIE BAR PERMITTED FROM CARD EDGE TO LEADING EDGE OF PAD FOR PINS A1 AND PIN NUMBERS "F".

⑤CHAMFER EDGES MUST BE FREE OF CUTTING BURRS.

6.RoHS COMPATIBLE PRODUCT SPECIFICATIONS

- a - PLATING:
 - "LF" MEANS THE PRODUCT IS LEAD-FREE
- b - MANUFACTURING PROCESS COMPATIBILITY
 - THE HOUSING WILL WITHSTAND EXPOSURE TO 260°C±5°C PEAK TEMPERATURE FOR 5 SECONDS IN A CONVECTION, INFRA-RED OR VAPOR PHASE REFLOW OVEN.



POSITION OF CAP

PRODUCT NUMBER CODE

10136859 - X X X X L F

HOUSING COLOR OPTIONS
1-BLACK

TERMINAL PLATING OPTIONS
0-50u" Ni UNDERPLATE
30u" Au CONTACT AREA
100u" TIN TAIL AREA -----COMPATIBLE RoHS
1-50u" Ni UNDERPLATE
15u" Au CONTACT AREA
100u" TIN TAIL AREA -----COMPATIBLE RoHS
2-50u" Ni UNDERPLATE
GOLD FLASH CONTACT AREA
100u" TIN TAIL AREA -----COMPATIBLE RoHS

LEAD FREE OPTION

PACKAGING OPTIONS
P-TAPE & REEL PACKAGING WITH CAP (FOR 98P OPTIONS ONLY) B
Y-HARD TRAY PACKAGING (FOR 164P OPTION ONLY)
Z-HARD TRAY PACKAGING WITH MYLAR(FOR 164P OPTION ONLY)
F-HARD TRAY PACKAGING WITH CAP (FOR 164P OPTION ONLY)

PDS OPTIONS
0-36
1-64
2-98
3-164

mat'l. code		-		surface	-	tolerance	ASME_Y14.5	projection	product family	PCI_EXPRESS	
lfr	ecn no	dr	date	tolerances unless otherwise specified		angles		MM	title		
				±2'	line	.02±0.30	PCI_EXPRESS_CARD_EDGE_GEN3				
					line	.00±0.20	ASSEMBLY(SMT)				
						.000±0.10	scale N/A		sheet 4 of 4 size		
		dr	ZHENHUA_LIU	2015-12-07			Amphenol FCI		10136859		
		enfr	ZHENHUA_LIU	2015-12-07					A4		
		chr	STONE_LI	2015-12-07					type		
		appd	PM_ZHENG	2015-12-07					CUSTOMER Drawing		
sheet index	revision	B									