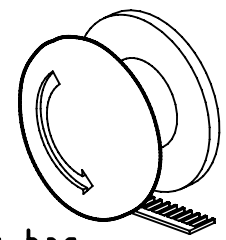
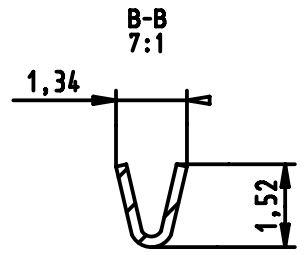
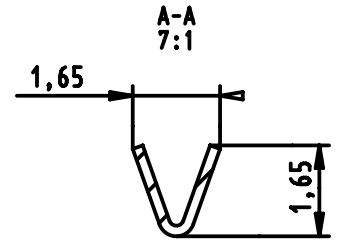
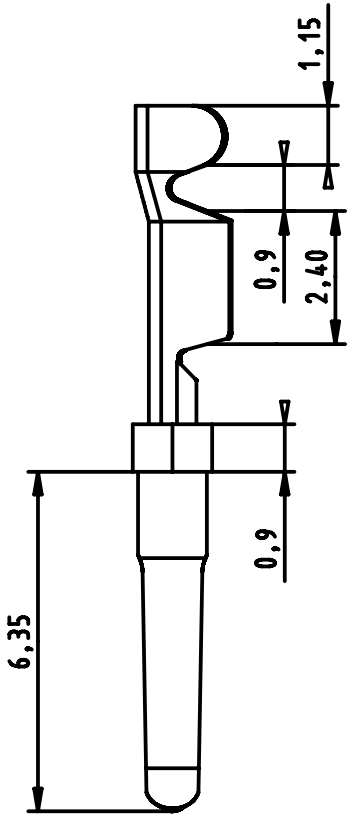
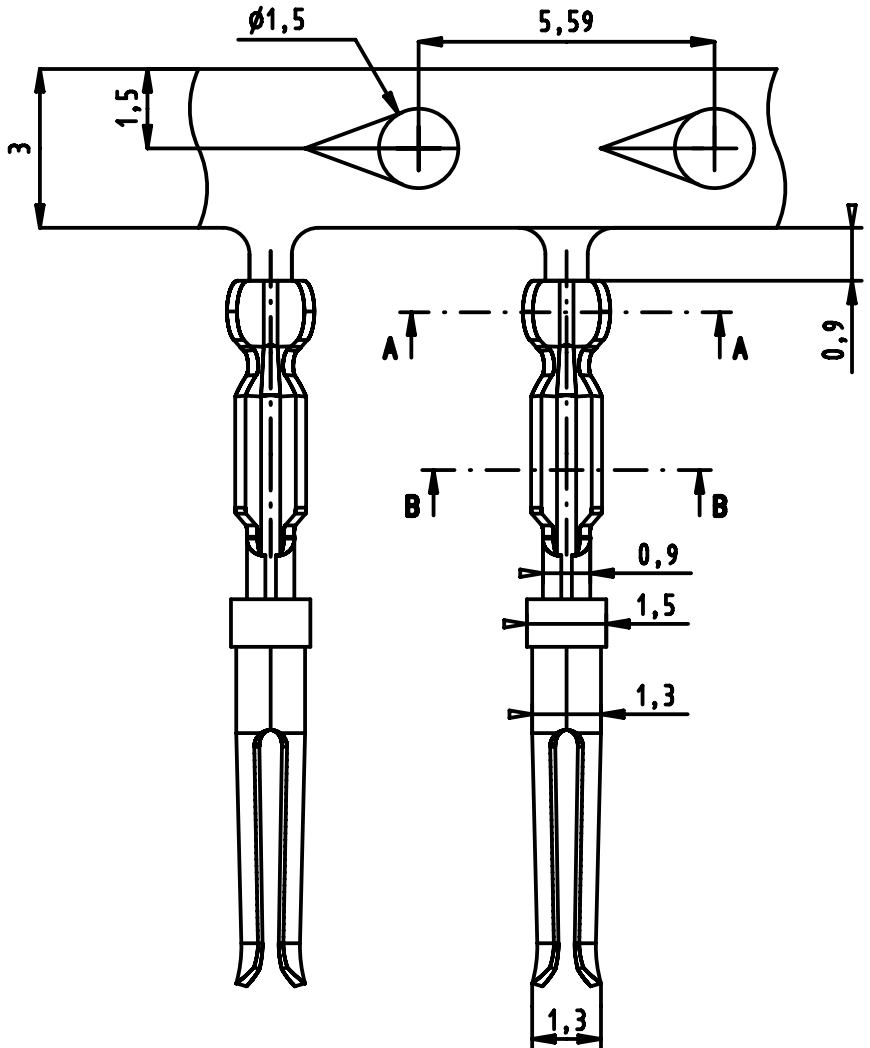


1 2 3 4 5 6



500 pcs bulk in plastic bag

09560008275	S4
09560008277	3
Part number	Performance level

	All rights reserved Department EC PD - FR HARTING Electronics GmbH D-32339 Espelkamp	All Dimensions in mm Original Size DIN A4	Scale 2:1	Free size tol.	Ref. Sub.
		Created by DOUGE	Inspected by BAGDIKIAN	Standardisation HOFFMANN	Date 2012-12-14
Title D-Sub HD stamped female cont. AWG 24-26					Doc-Key / ECM-Nr. 100513560/UGD/001/A 500000055151
Type TB		Number 0956000827X			Rev. A
					Page 1/1

Mouser Electronics

Authorized Distributor

Click to View Pricing, Inventory, Delivery & Lifecycle Information:

[HARTING:](#)

[09560008277](#) [09560008275](#)