

NOTES:

1. MATERIALS AND FINISHES:
 BODY, BODY REAR - BRASS, NICKEL PLATING
 CONTACT - BRASS, GOLD PLATING
 INSULATOR, INSULATOR-REAR - PTFE, NATURAL
 COUPLING NUT - BRASS, NICKEL PLATING
 CAP - BRASS, NICKEL PLATING
 FERRULE - BRASS, NICKEL PLATING
 GASKET - SILICONE RUBBER

2. ELECTRICAL:
 A. IMPEDANCE: 75 OHM
 B. FREQUENCY RANGE: DC - 12 GHz
 C. RETURN LOSS: -20 dB DC-6 GHz
 -15 dB 6-12 GHz
 C. DIELECTRIC WITHSTANDING VOLTAGE: 1000 VRMS, MIN.

3. MECHANICAL:
 A. DURABILITY: 500 CYCLES MIN.
 B. TEMPERATURE RANGE: -40° C TO +85° C

4. PACKAGING:
 A. QUANTITY: SINGLE PACK
 B. MARKING: BAG TO BE MARKED
 "AMPHENOLRF, 31-70545-12G, AND DATE CODE"

5. RECOMMENDED CABLE ASSEMBLY INSTRUCTIONS:
 A. TRIM CABLE AS SHOWN.
 B. SLIDE FERRULE ONTO CABLE.
 C. SLIDE INSULATOR-REAR ONTO CENTER CONDUCTOR IN THE ORIENTATION SHOWN.
 D. INSERT CABLE AND INSULATOR WITH FOIL ENTERING CONNECTOR AND BRAID OVER KNURL.
 E. SOLDER CONTACT TO CABLE CENTER CONDUCTOR.
 F. CRIMP FERRULE OVER BRAID WITH 0.324" HEX DIE.

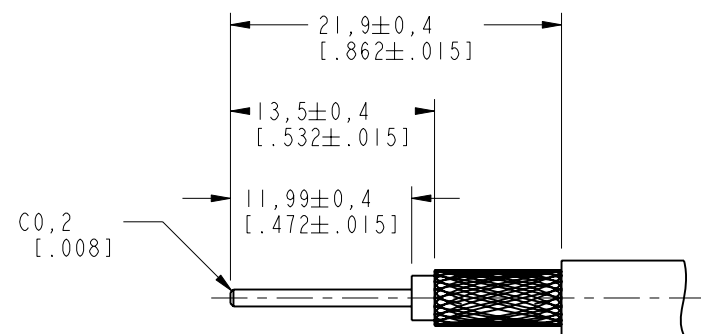
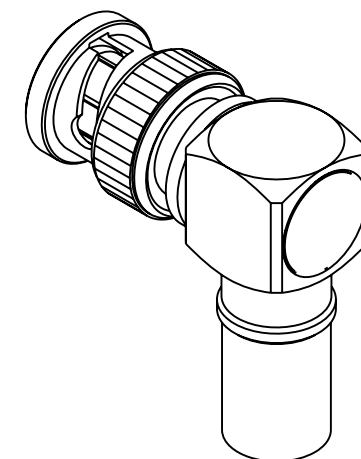
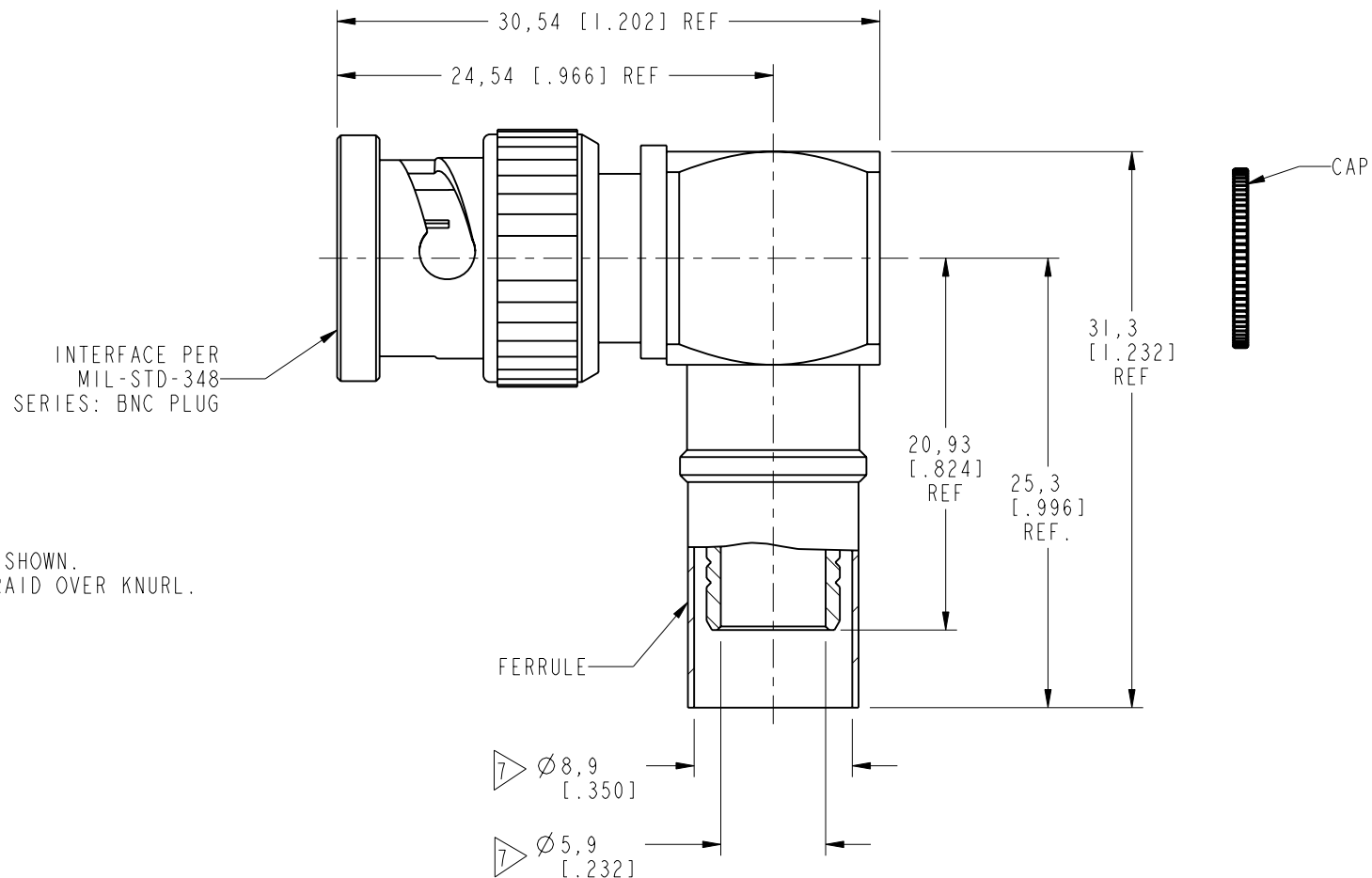
6. CAP ASSEMBLY INSTRUCTIONS:
 A. PRESS INTO BODY UNTIL FLUSH

7. SHOWS CABLE ENTRY DIMENSIONS.

THIRD ANGLE PROJ.

REVISIONS

REV	DESCRIPTION	DATE	ECN	APPR
A	RELEASE TO MFG.	15-Mar-18	07342	KCE



RECOMMENDED CABLE STRIPPING DIMENSIONS

CUSTOMER OUTLINE DRAWING

ALL OTHER SHEETS ARE FOR INTERNAL USE ONLY

UNLESS OTHERWISE SPECIFIED, DIMENSIONS ARE IN METRIC AND TOLERANCES ARE: <0.5mm ±0.05mm 0.5 - 6mm ±0.1mm 6 - 30mm ±0.2mm 30 - 120mm ±0.3mm ANGLES ±1°	MATERIAL	DRAWN K. SONG	DATE 24-Mar-18	TITLE R/A BNC PLUG (BELDEN 4794R CABLE)	Amphenol RF www.amphenolrf.com	
	REFERENCE	ENGINEER K. ELMES	DATE 13-Nov-17			
	EAR# 8067	APPROVED S. HSIEH	DATE 29-Mar-18	SCALE: 2.5:1.0	SHEET 2 OF 2	DRAWING NO. 31-70545-12G
	REF:	CONFIGURATION LEVEL: In Work	CAD FILE	DWG SIZE B	REV A	ITEM NO. 31-70545-12G
	FINISH					PART NO. 31-70545-12G