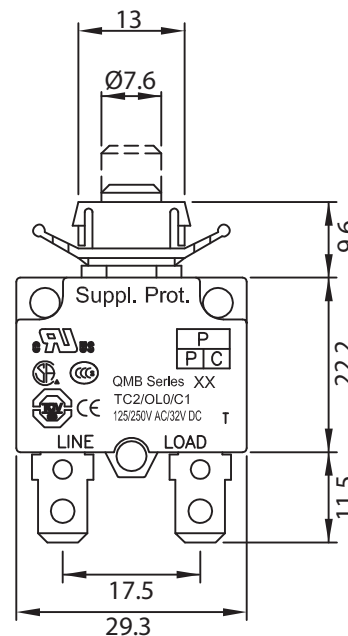
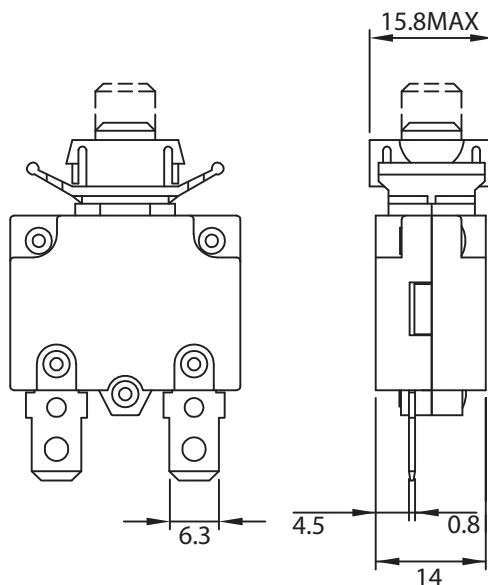
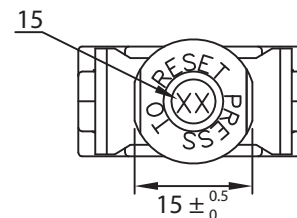
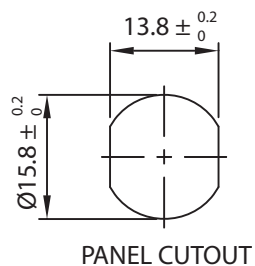


THESE DRAWINGS ARE THE PROPERTY OF QUALTEK ELECTRONICS AND NOT TO BE REPRODUCED FOR OR COMMUNICATED TO A THIRD PARTY WITHOUT THE EXPRESS WRITTEN PERMISSION OF AN OFFICER OF QUALTEK ELECTRONICS.

| REVISION |             |      |          |
|----------|-------------|------|----------|
| REV.     | DESCRIPTION | DATE | APPROVED |
|          |             |      |          |
|          |             |      |          |



**CONTROLLED**

NOTES:

RATING: 15A 125/250V AC/32V DC  
 PANEL THICKNESS: 0.8mm~2.5mm  
 BUTTON COLOR: BLACK  
 BUTTON PRINT COLOR: WHITE  
 APPROVALS: UL, cUL, TUV, CCC, CE, CSA  
 RoHS COMPLIANT

| Dim range (mm)     | Tolerance +/- (mm) | Qualtek Electronics Corp.<br>PPC DIVISION   |  |                              |                 |  |  |              |                |                 |                    |          |               |
|--------------------|--------------------|---|--|------------------------------|-----------------|--|--|--------------|----------------|-----------------|--------------------|----------|---------------|
|                    |                    | Part Number: QMB-153-00ENN-3BA <span style="border: 1px solid green; padding: 2px;">RoHS Compliant</span>   |  | Description: CIRCUIT BREAKER |                 |  |  |              |                |                 |                    |          |               |
| 0-1                | 0.15               | <table border="1" style="width: 100%;"> <tr> <td colspan="2">UNIT: mm</td> <td> </td> </tr> <tr> <td>Drawn / Date</td> <td>Checked / Date</td> <td>Approved / Date</td> </tr> <tr> <td>R.Nuti<br/>06-04-14</td> <td>06-04-15</td> <td>LY / 06-04-15</td> </tr> </table> |  |                              | UNIT: mm        |  |  | Drawn / Date | Checked / Date | Approved / Date | R.Nuti<br>06-04-14 | 06-04-15 | LY / 06-04-15 |
| UNIT: mm           |                    |   |  |                              |                 |  |  |              |                |                 |                    |          |               |
| Drawn / Date       | Checked / Date     |   |  |                              | Approved / Date |  |  |              |                |                 |                    |          |               |
| R.Nuti<br>06-04-14 | 06-04-15           |   |  |                              | LY / 06-04-15   |  |  |              |                |                 |                    |          |               |
| 1-6                | 0.20               |   |  |                              |                 |  |  |              |                |                 |                    |          |               |
| 6-18               | 0.30               |   |  |                              |                 |  |  |              |                |                 |                    |          |               |
| 18-50              | 0.50               |   |  |                              |                 |  |  |              |                |                 |                    |          |               |
| 50-120             | 0.70               |   |  |                              |                 |  |  |              |                |                 |                    |          |               |
| 120-250            | 0.90               |   |  |                              |                 |  |  |              |                |                 |                    |          |               |
| 250-500            | 1.20               |   |  |                              |                 |  |  |              |                |                 |                    |          |               |

# Mouser Electronics

Authorized Distributor

Click to View Pricing, Inventory, Delivery & Lifecycle Information:

[Qualtek:](#)

[QMB-153-00ENN-3BA](#)