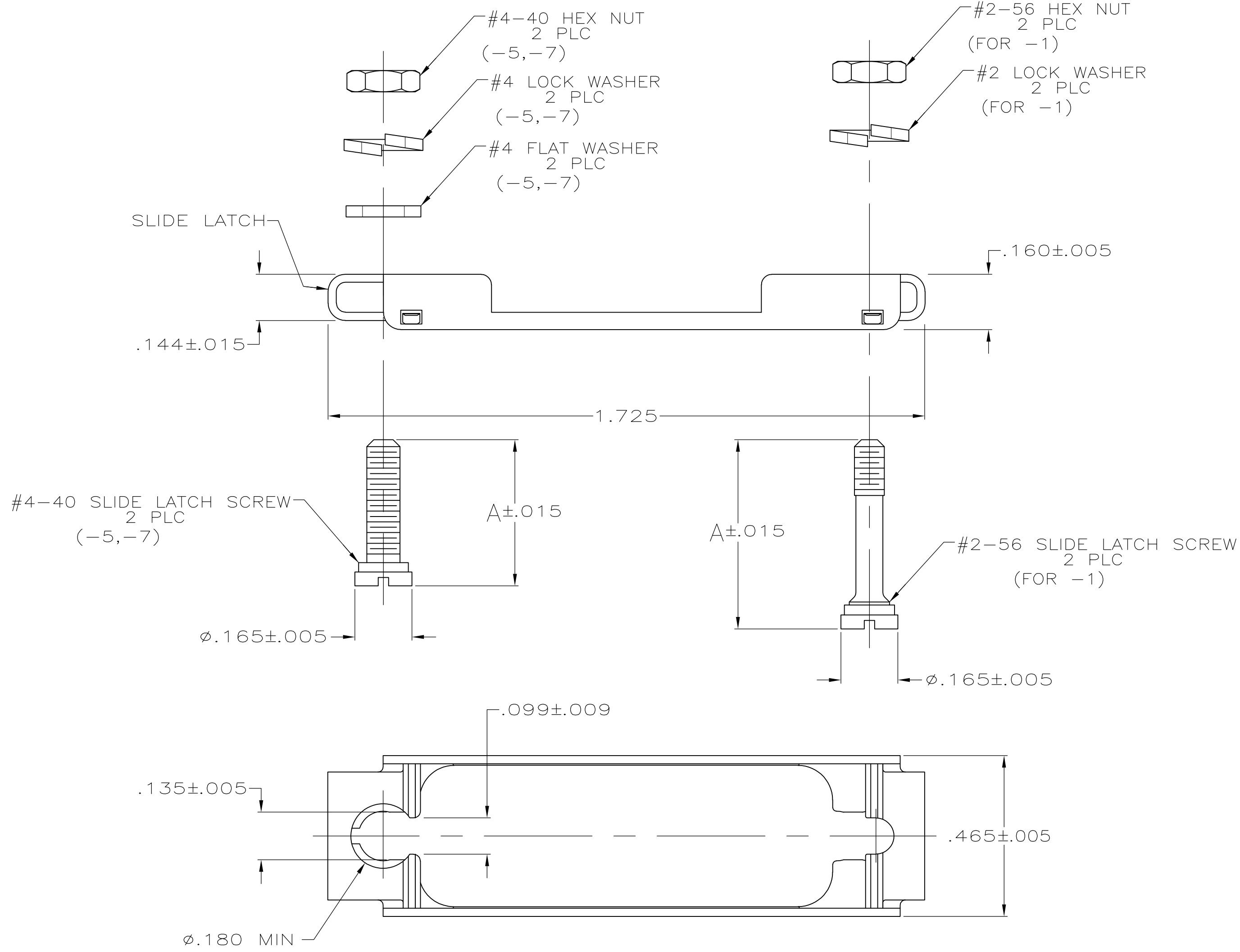


THIS DRAWING IS UNPUBLISHED. RELEASED FOR PUBLICATION
 © COPYRIGHT - By - ALL RIGHTS RESERVED.

LOC	DIST	REVISIONS					
GP	00	P	LTR	DESCRIPTION	DATE	DWN	APVD
		P		REVISED PER ECO-11-004835	11MAR11	RK	HMR



- PARTS PACKAGED UNASSEMBLED.
 - PARTS PACKAGED AS A UNIT KIT.
- ③ ZINC PLATED .000200-.000400 THICK, CLEAR CHROMATE COATING.
 - ④ ZINC PLATED .000200-.000400 THICK, YELLOW CHROMATE COATING.
 - ⑤ THIS KIT CAN BE USED WITH TWO-PIECE STRAIGHT/90° EXIT CABLE CLAMPS, RFI/EMI CABLE CLAMPS OR UNIVERSAL CABLE CLAMPS.
 - ⑥ THIS KIT CAN BE USED WITH ONE-PIECE STRAIGHT/45° EXIT CABLE CLAMPS, ONE-PIECE STRAIGHT/90° EXIT CABLE CLAMPS OR ON CONNECTORS WITHOUT CABLE CLAMPS.

.450	④	#4-40	⑥	5745583-7
.415	④	#4-40	⑥	5745583-5
.547	③	#2-56	⑤	5745583-1
A	HARDWARE FINISH	THREAD TYPE	PART NUMBER	

THIS DRAWING IS A CONTROLLED DOCUMENT.		DWN	S.WAITMAN	30JUN05	 TE Connectivity																	
DIMENSIONS: INCHES		CHK	C.ROHDE	30JUN05																		
TOLERANCES UNLESS OTHERWISE SPECIFIED:		APVD	M.WALMSLEY	30JUN05																		
<table border="1"> <tr><td>0 PLC</td><td>±</td><td>-</td></tr> <tr><td>1 PLC</td><td>±</td><td>-</td></tr> <tr><td>2 PLC</td><td>±</td><td>-</td></tr> <tr><td>3 PLC</td><td>±</td><td>.010</td></tr> <tr><td>4 PLC</td><td>±</td><td>-</td></tr> <tr><td>ANGLES</td><td>±</td><td>-</td></tr> </table>		0 PLC	±	-		1 PLC	±	-	2 PLC	±	-	3 PLC	±	.010	4 PLC	±	-	ANGLES	±	-	PRODUCT SPEC	NAME
0 PLC	±	-																				
1 PLC	±	-																				
2 PLC	±	-																				
3 PLC	±	.010																				
4 PLC	±	-																				
ANGLES	±	-																				
MATERIAL: SLIDE LATCH: STAINLESS STEEL HARDWARE: STEEL		FINISH	HARDWARE: SEE TABLE		APPLICATION SPEC																	
WEIGHT		-		SIZE	A2																	
CUSTOMER DRAWING		SCALE	4:1	CAGE CODE	00779																	
SCALE		4:1	DRAWING NO	C=5745583	RESTRICTED TO																	
SHEET		1 of 1	REV	P																		