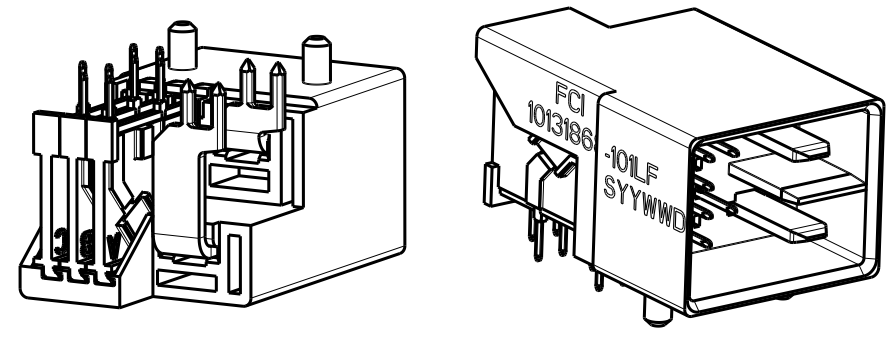
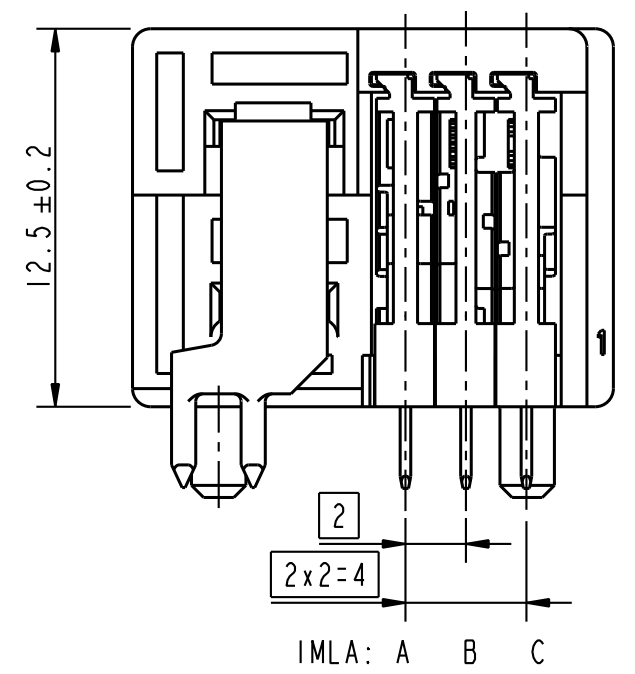
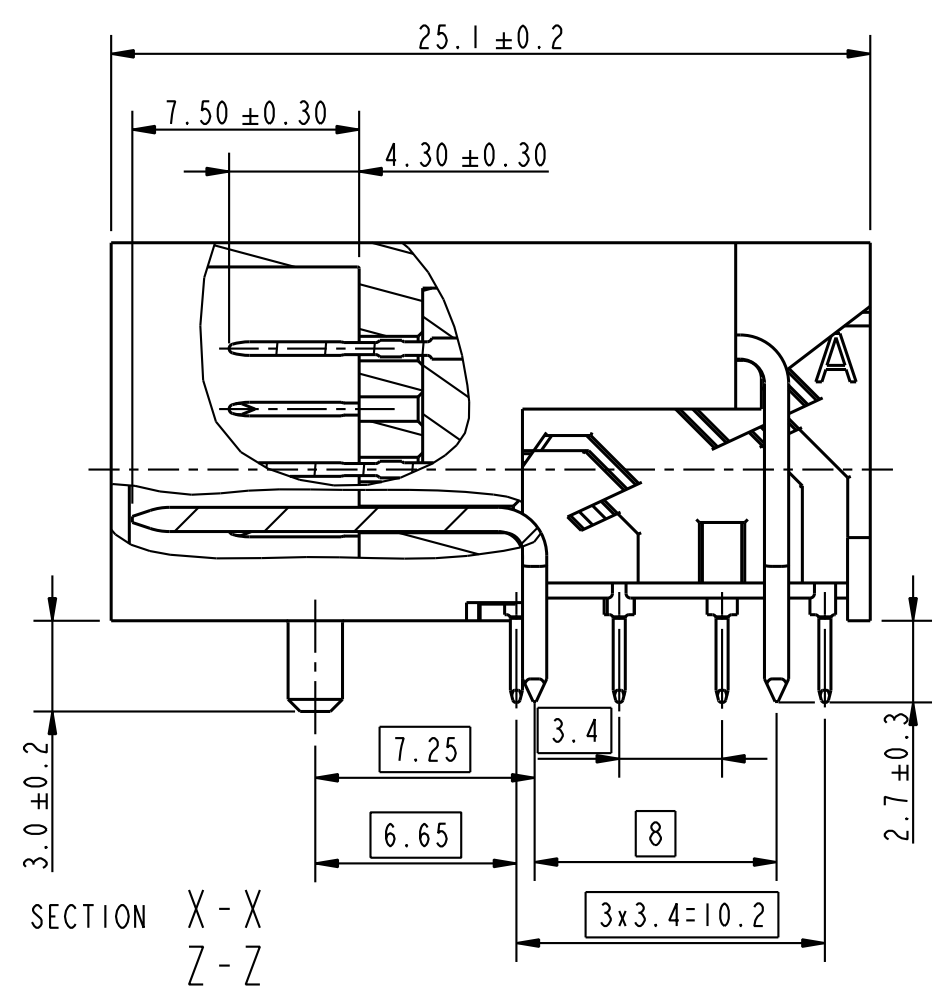
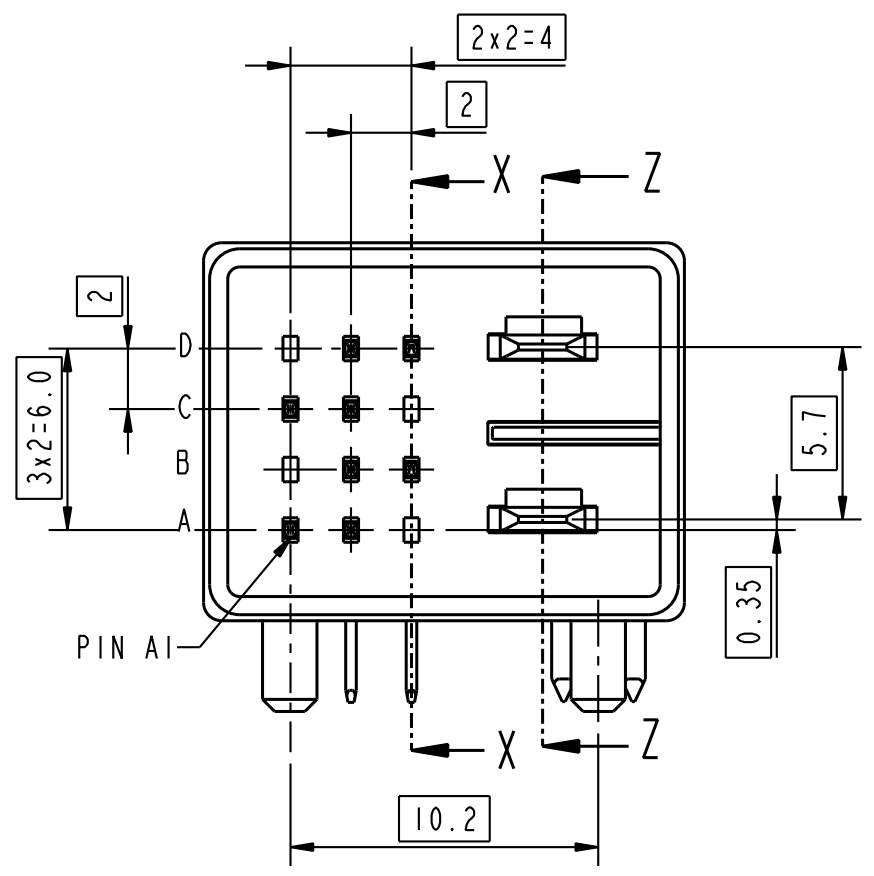
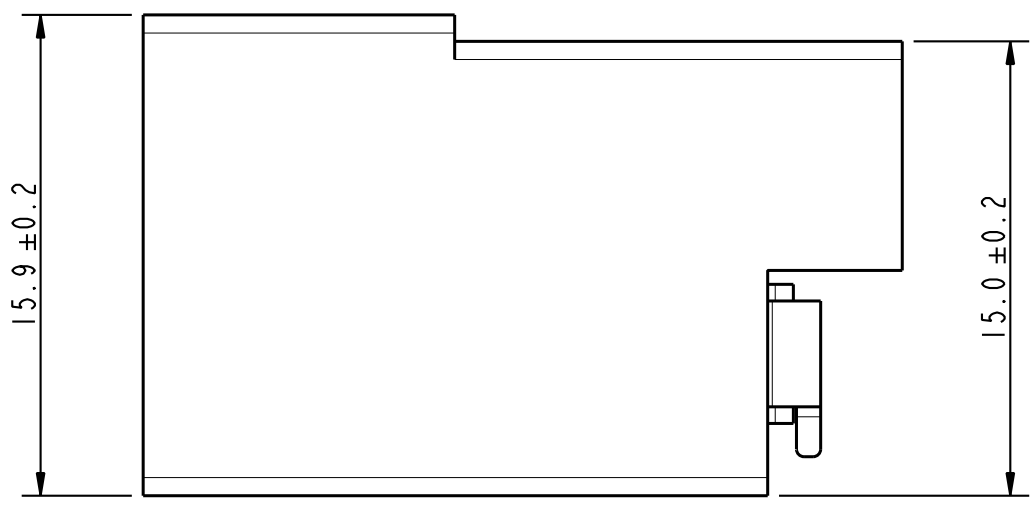


PRODUCT NUMBER  
10131868-101LF

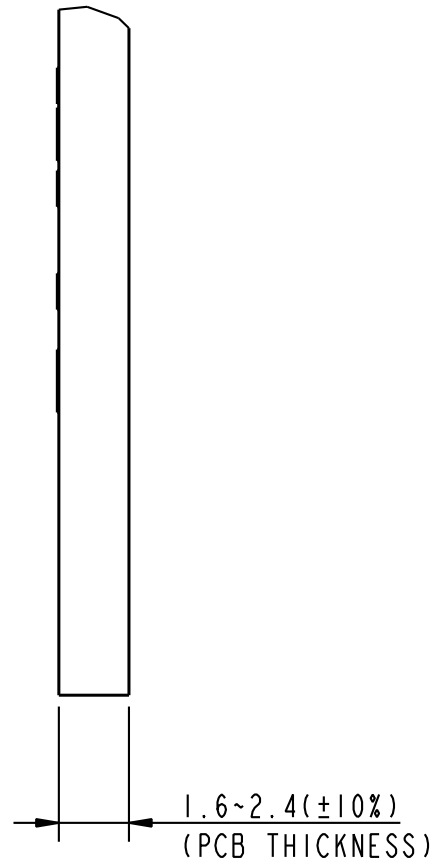
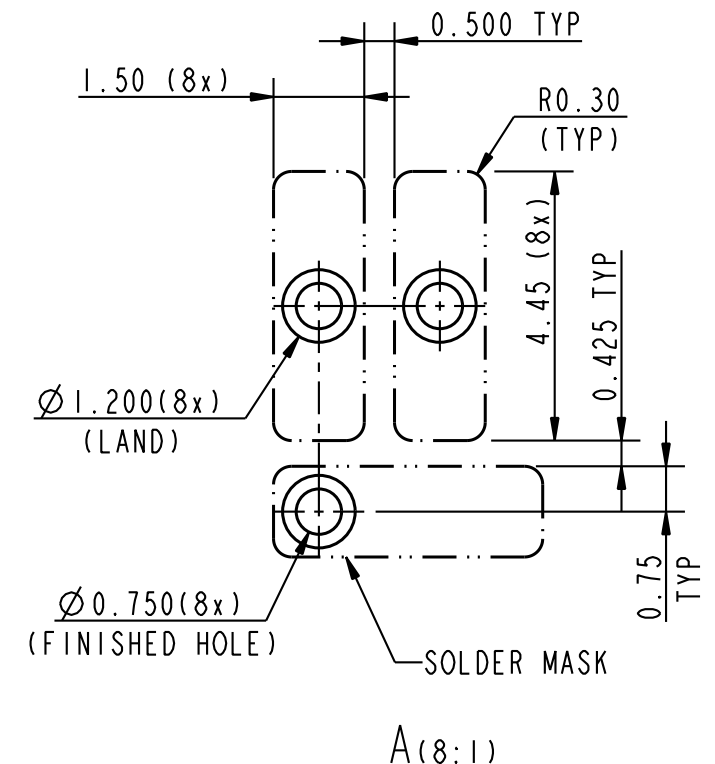
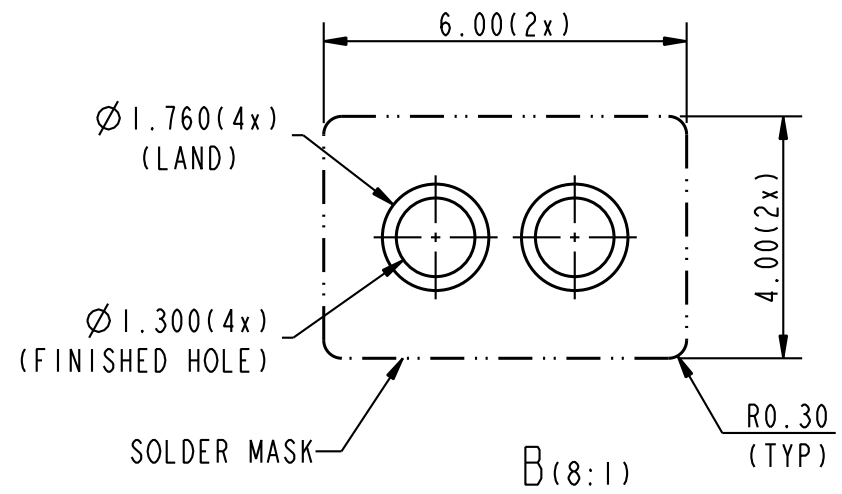
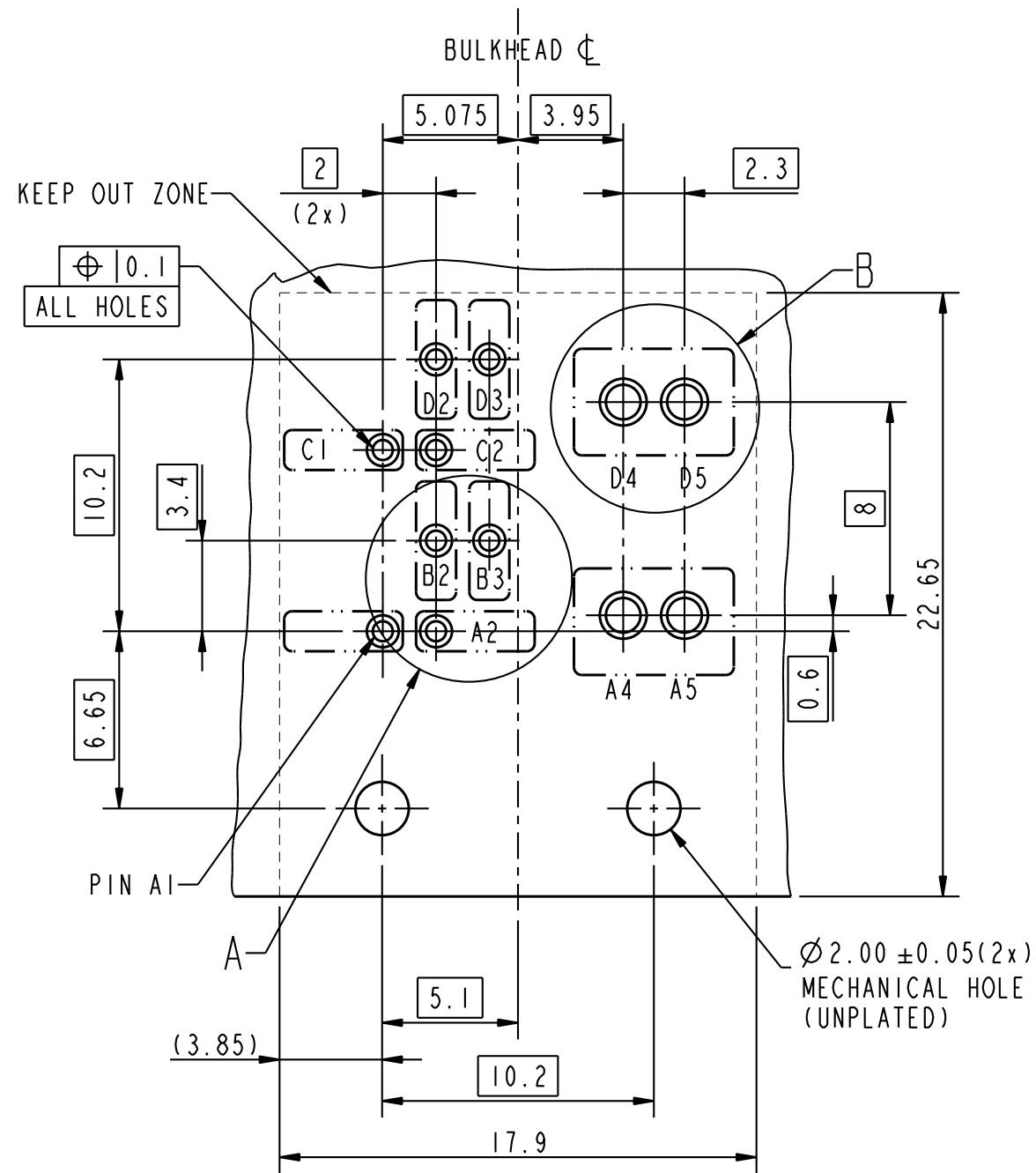


spec ref	-	dr	S ALOSIOUS	2015/09/23	projection	mm	size	A3	scale	2:1
tolerance std	ISO 406 ISO 1101	eng	S ALOSIOUS	2016/02/23			ecn no	ELX-22463-4	rel level	Released
TOLERANCES UNLESS OTHERWISE SPECIFIED		chr	-	-						
surface	linear	appr	K-PAUL BIJU	2016/02/24	product family	METRAL HDXS	10131868-101		rev	B
ISO 1302	angular	<b>Amphenol FCI</b>		title HYBRID SIGNAL&POWER OCTIS RA BOARD CONNECTOR 8 SIG 2 PWR PIP TERMINATION		cat. no. -		Product - Customer Drw	sheet 1 of 4	

Amphenol  
FCi

© 2016 AFCI

VIEW FROM COMPONENT SIDE



NOTES:

- MATERIAL :  
- RESIN - LCP, GLASS FILLED, FLAME RETARDANT ACC  
- FLAMMABILITY CLASIFICATION - UL94-V0  
- SIGNAL & POWER CONTACTS - COPPER ALLOY
- PLATING :  
- GOLD OVER PALLADIUM NICKEL ON CONTACT AREA OF SIGNALS  
- PURE TIN AT TERMINAL AREA OF SIGNALS  
- PURE TIN ON POWER CONTACTS
- PRODUCT SPECIFICATION: GS-12-1334
- APPLICATION SPECIFICATION: GS-20-0454
- PACKAGING - TAPE & REEL  
PACKAGING SPECIFICATION: GS-XX-XXX
- UNDER PLATING FOR CONTACTS IS 1.27µm NICKEL.
- PRODUCT WILL WITHSTAND EXPOSURE TO 260° FOR 60 SECONDS IN A CONVECTION, INFRA RED OR VAPOUR PHASE REFLOW OVEN
- PRODUCT WHERE THE PARTNUMBER ENDS IN LF MEETS EUROPEAN DIRECTIVES AND OTHER COUNTRY REGULATIONS AS DESCRIBED IN GS-47-0004.

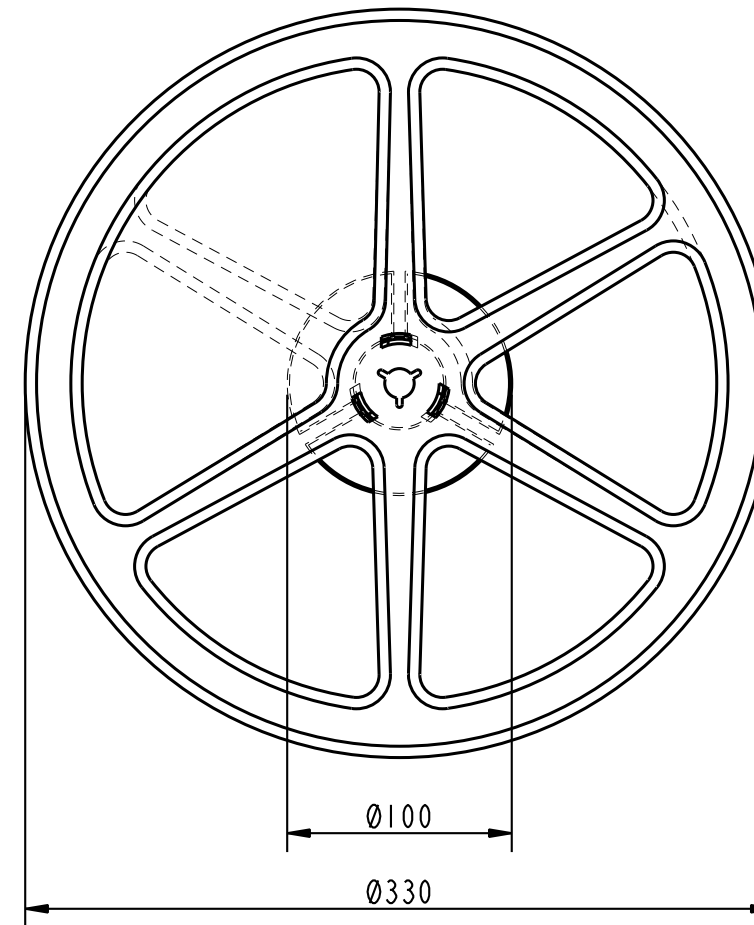
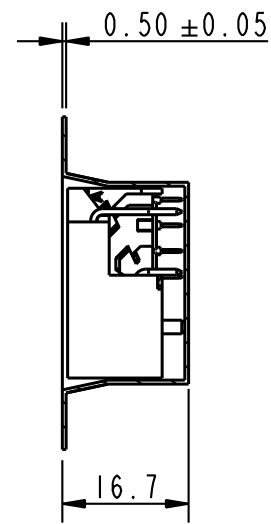
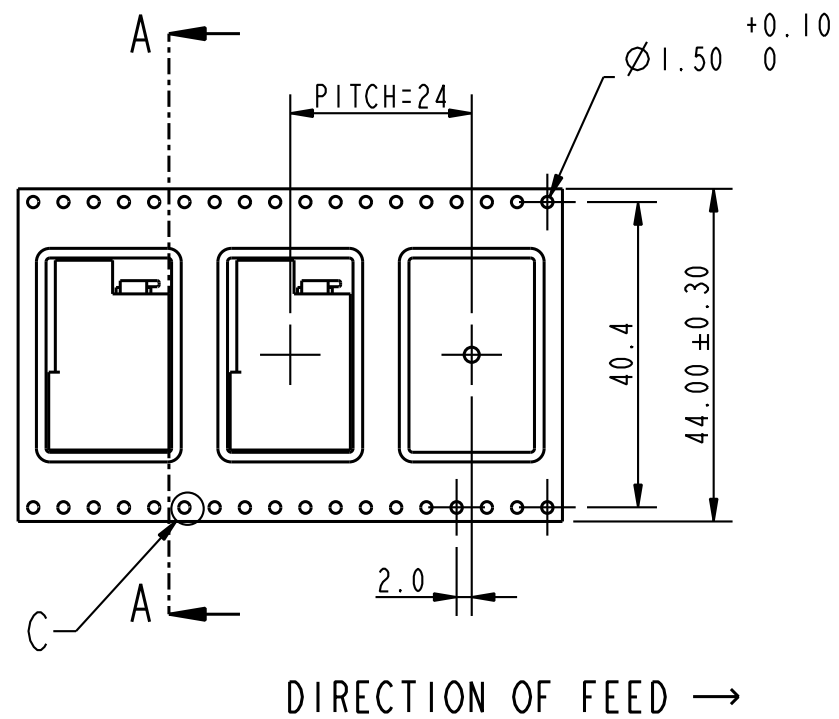
Amphenol FCI

© 2016 AFCI

	SIGNAL PTH DETAILS	POWER PTH DETAILS
DRILLED HOLE	0.82-0.87mm	1.37-1.42mm
COPPER PLATING	25-50µm	25-50µm
TIN PLATING	0.8-1.2µm	0.8-1.2µm
FINISHED HOLE DIA	0.70-0.80mm	1.25-1.35mm

spec ref	-	dr	S ALOSIUS	2015/09/23	projection	mm	size	A3	scale	2:1
tolerance std	ISO 406 ISO 1101	eng	S ALOSIUS	2016/02/23			ecn no	ELX-22463-4	rel level	Released
TOLERANCES UNLESS OTHERWISE SPECIFIED		chr	-	apppr						
surface	ISO 1302	linear	0.X	±0.3	<b>Amphenol FCI</b>	title HYBRID SIGNAL&POWER OCTIS RA BOARD CONNECTOR 8 SIG 2 PWR PIP TERMINATION	dwg no 10131868-101	rev B	cat. no.	Product - Customer Drw
			0.XX	±0.10						
		angular	0°	±2°						
sheet 2 of 4										

# PACKAGING SPECIFICATION



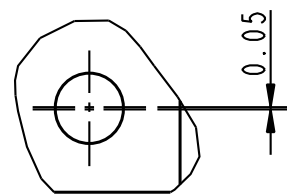
DIRECTION OF FEED →

SECTION A-A

## TAPE & REEL PACKING DETAILS

### NOTES:

- CONNECTORS PACKED PER REEL : 150 PIECES
- PACKAGING DETAILS AS PER EIA-481 STD.
- PACKING SHOULD BE ANTISTATIC.
- MATERIAL :  
CARRIER TAPE : POLYSTYRENE  
COVER TAPE : POLYSTYRENE

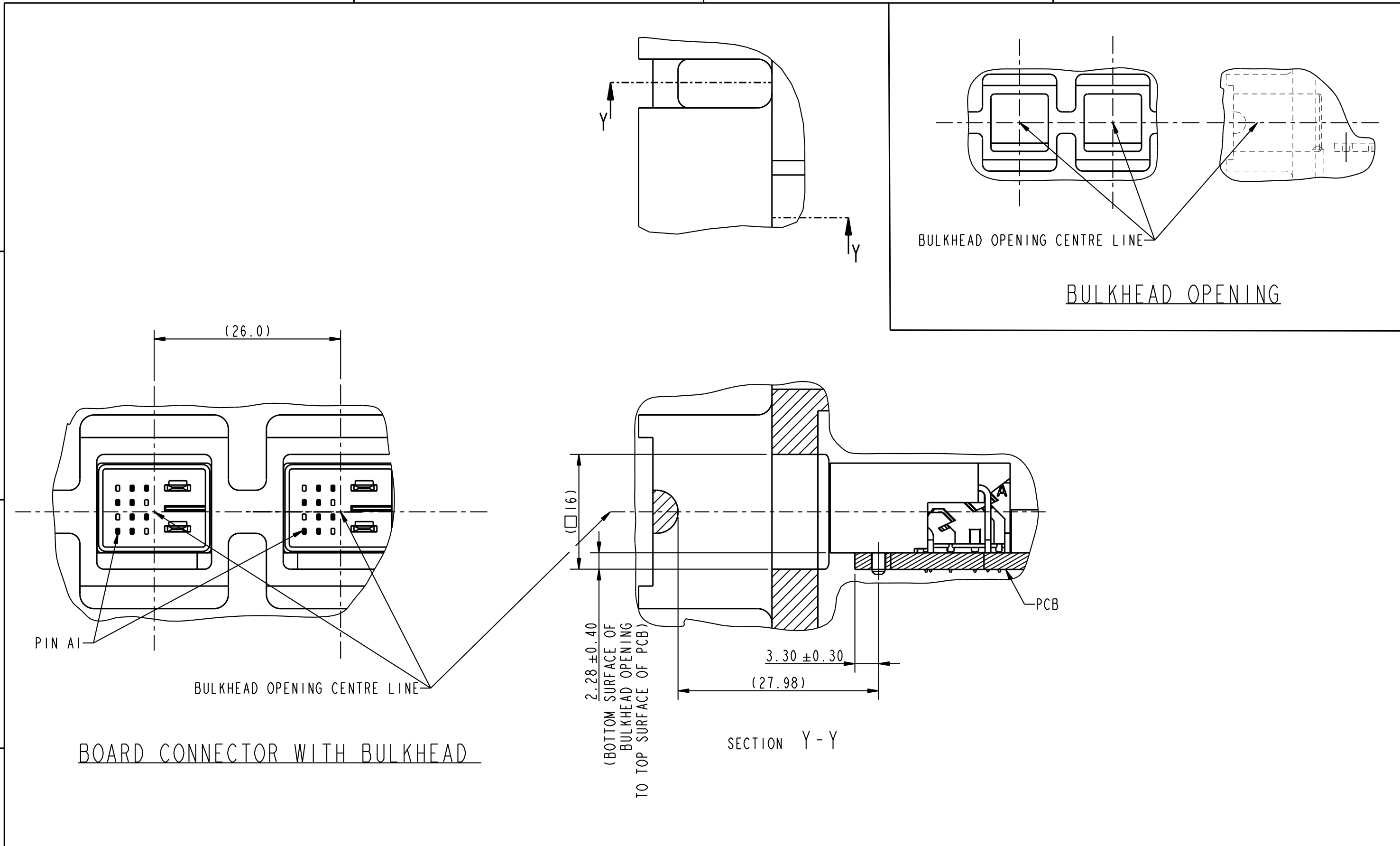


C (6:1)

spec ref -		dr S ALOSIOUS	2015/09/23	projection	mm	size A3	scale 1:1
tolerance std ISO 406 ISO 1101		TOLERANCES UNLESS OTHERWISE SPECIFIED				ecn no ELX-22463-4	
		eng S ALOSIOUS	2016/02/23			rel level Released	
surface -		chr -	-	product family -		rev B	
ISO 1302		appr K-PAUL BIJU	2016/02/24	title HYBRID SIGNAL&POWER OCTIS RA BOARD CONNECTOR		dwg no 10131868-101	
linear		0.X ±0.3		8 SIG 2 PWR PIP TERMINATION		cat. no. -	
		0.XX ±0.10		Product - Customer Drw		sheet 3 of 4	
angular		0° ±2°		STATUS:Released		Printed: Feb 25, 2016	

Amphenol  
FCi

© 2016 AFCI



BOARD CONNECTOR WITH BULKHEAD

(BOTTOM SURFACE OF  
BULKHEAD OPENING  
TO TOP SURFACE OF PCB)

SECTION Y-Y

spec ref	-	dr	S ALOSUIS	2015/09/23	projection	mm	size	A3	scale	1:2
tolerance std	ISO 406 ISO 1101	eng	S ALOSUIS	2016/02/23			ecn no	ELX-22463-4	rel level	Released
TOLERANCES UNLESS OTHERWISE SPECIFIED		chr	-	-						
surface	linear	0.X	±0.3	<b>Amphenol FCi</b>	title HYBRID SIGNAL&POWER OCTIS RA BOARD CONNECTOR 8 SIG 2 PWR PIP TERMINATION	dwg no 10131868-101	rev B	Product - Customer Drw		
		0.XX	±0.10					cat. no.	-	sheet 4 of 4
ISO 1302	angular	0°	±2°							