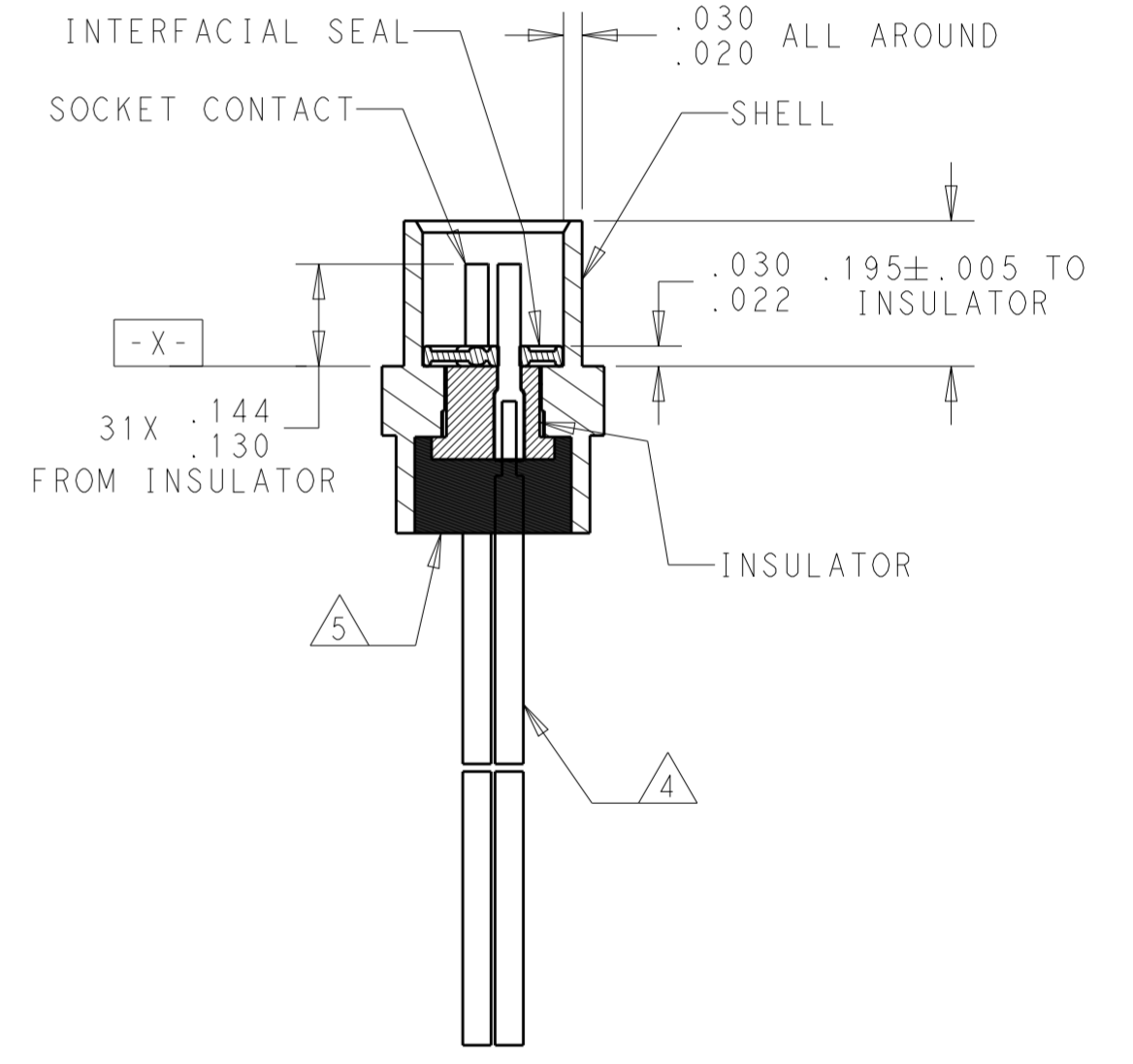
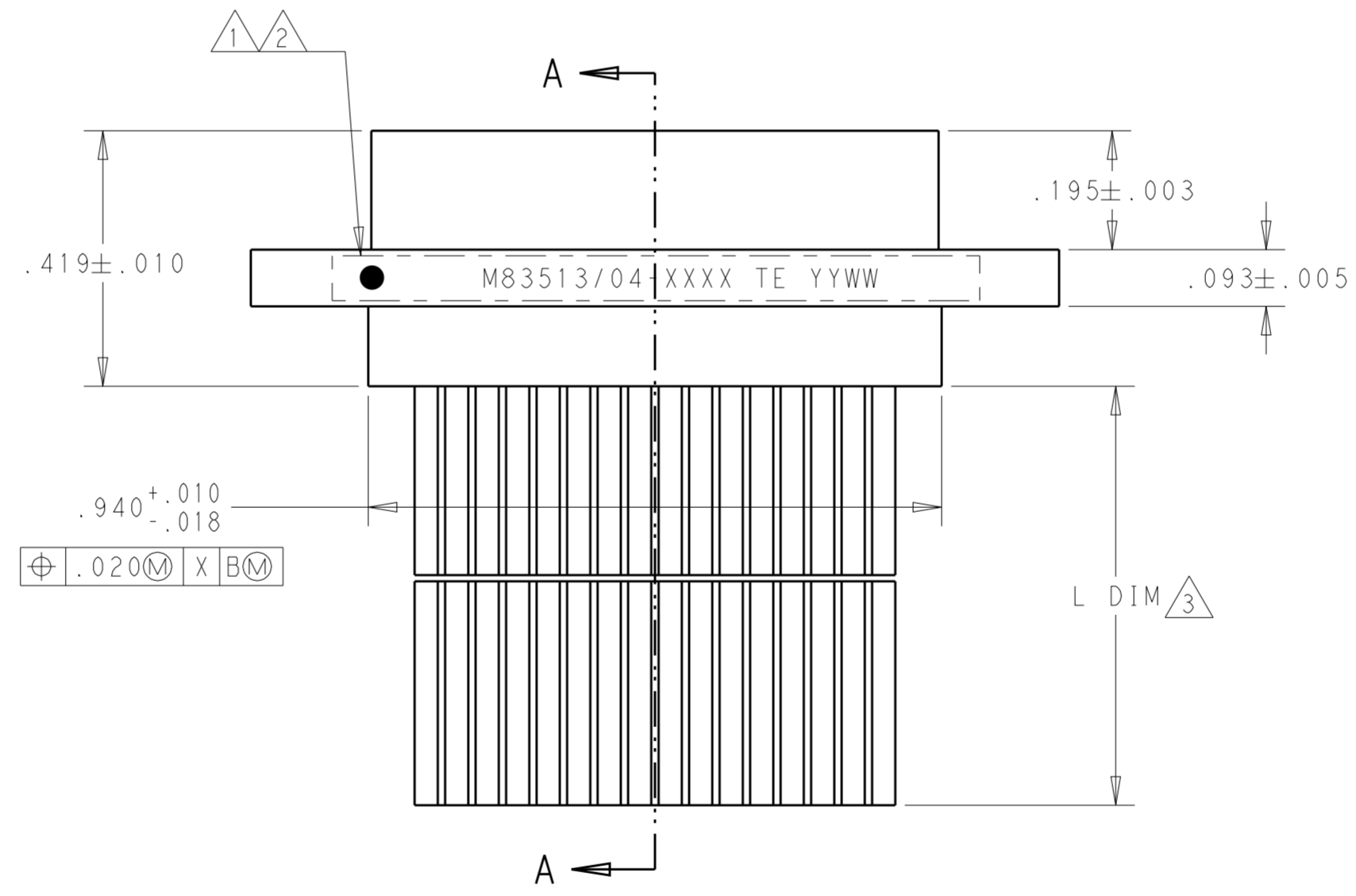
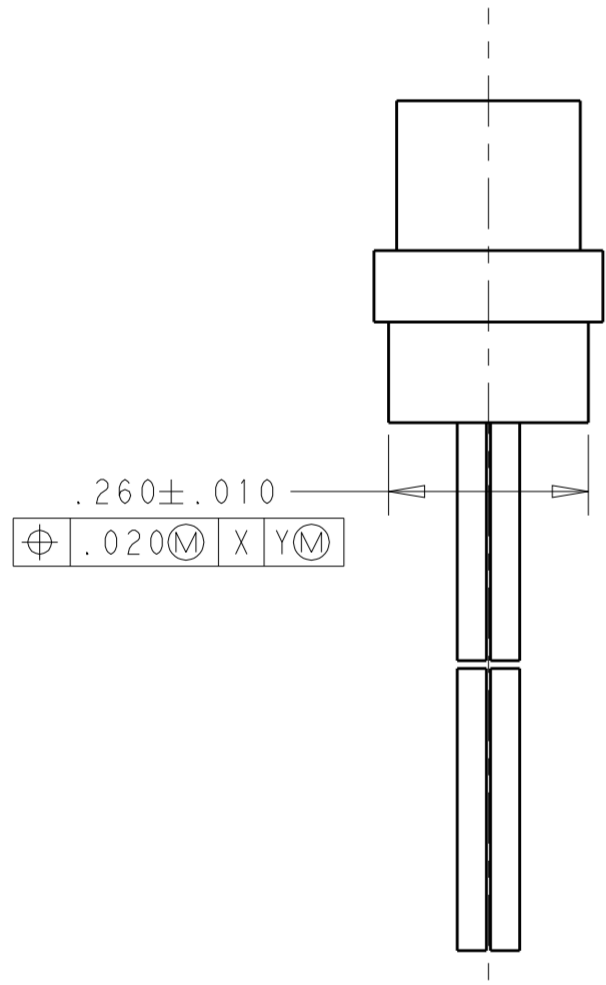
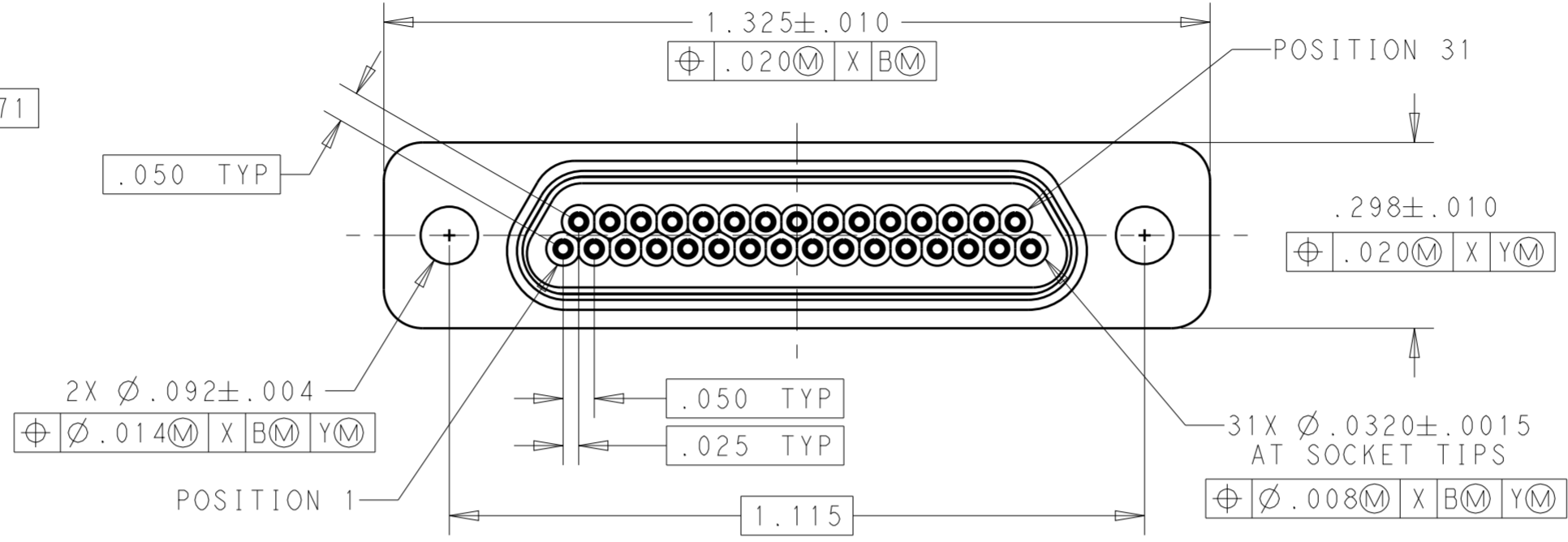
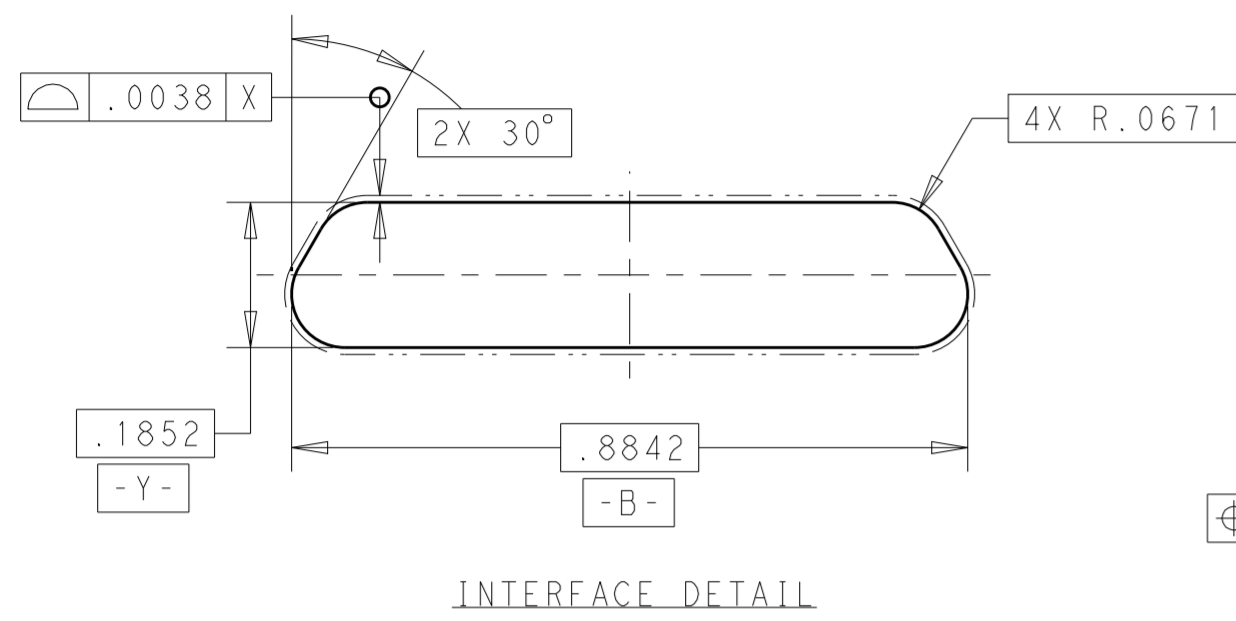


THIS DRAWING IS UNPUBLISHED. RELEASED FOR PUBLICATION 20
 © COPYRIGHT 20 BY - ALL RIGHTS RESERVED.

REVISIONS				
P	LTR	DESCRIPTION	DATE	APVD



- 1 CONNECTOR SHALL BE MARKED IN ACCORDANCE WITH METHOD 1 OF MIL-STD-1285. MARKING SHALL CONTAIN THE MILITARY PIN, CAGE CODE (OR TE), AND DATE CODE. EXAMPLE: M83513/04-XXXX TE YYWW (WHERE XXXX IS PART OF THE PIN SHOWN IN THE "MIL-DTL-83513" COLUMN OF THE PART NUMBER TABLE, AND YYWW IS THE DATE CODE). TEXT HEIGHT SHALL BE .035 INCH MINIMUM.
- 2 POSITION 1 SHALL BE INDICATED BY AN IDENTIFIABLE MARK, LOCATED APPROXIMATELY AS SHOWN ON THE POSITION 1 SIDE OF THE CONNECTOR FLANGE. THIS MARK SHALL BE INCLUDED AS PART OF THE PART MARKING INFORMATION.
- 3 LENGTH IS SHOWN IN THE "L DIM" COLUMN OF THE PART NUMBER TABLE. LENGTH TOLERANCE IS +1.0/-0.0 FOR INSULATED WIRE TERMINATIONS, AND +0.20/-0.00 FOR UNINSULATED WIRE TERMINATIONS.
- 4 INSULATED WIRE IS SHOWN FOR REFERENCE ONLY. PART MAY BE TERMINATED WITH INSULATED OR UNINSULATED WIRE ACCORDING TO THE PART NUMBER TABLE.
- 5 EPOXY ENCAPSULATION. EPOXY MAY WICK .125 INCH MAX FOR INSULATED WIRE, AND .050 INCH MAX FOR UNINSULATED WIRE.
- 6 ALL DIMENSIONS AND REQUIREMENTS ARE PER MIL-DTL-83513/4.

THIS DRAWING IS A CONTROLLED DOCUMENT.		DWN B ROMANCHUK	03SEP2008	TE Connectivity
DIMENSIONS: IN		CHK M STORRY	03SEP2008	
TOLERANCES UNLESS OTHERWISE SPECIFIED:		APVD		NAME
0 PLC	±	PRODUCT SPEC		RECEPTACLE ASSEMBLY
1 PLC	±	APPLICATION SPEC		MICRO-D PER MIL-DTL-83513/04
2 PLC	±.010	WEIGHT		MCKS SERIES, 31 POSITION
3 PLC	±.005	CUSTOMER DRAWING		SIZE CAGE CODE DRAWING NO
4 PLC	±	SCALE 4:1 SHEET 1 OF 2 REV B		A298278 C-1532175
ANGLES	±1°	RESTRICTED TO		-
FINISH	-	SCALE 4:1 SHEET 1 OF 2 REV B		-

THIS DRAWING IS UNPUBLISHED. RELEASED FOR PUBLICATION 20
 © COPYRIGHT 20 BY - ALL RIGHTS RESERVED.

REVISIONS				
P	LTR	DESCRIPTION	DATE	APVD

3


1

TE PART NUMBER	L DIM	MIL-DTL-83513 PIN	MICRODOT P/N	MCKS DESCRIPTION
1532175-1	18	M83513/04-E01N	094-6526-0001	MCKS-N1-B-31S6G1-18.0
1532175-2	36	M83513/04-E02N	094-6526-0002	MCKS-N1-B-31S6G1-36.0
1532175-3	18	M83513/04-E03N	094-6526-0003	MCKS-N1-B-31S6G9-18.0
1532175-4	36	M83513/04-E04N	094-6526-0004	MCKS-N1-B-31S6G9-36.0
1532175-5	18	M83513/04-E09N	094-6526-0009	MCKS-N1-B-31S6Q1-18.0
1532175-6	36	M83513/04-E10N	094-6526-0010	MCKS-N1-B-31S6Q1-36.0
1532175-7	18	M83513/04-E11N	094-6526-0011	MCKS-N1-B-31S6Q9-18.0
1532175-8	36	M83513/04-E12N	094-6526-0012	MCKS-N1-B-31S6Q9-36.0
1532175-9	72	M83513/04-E13N	094-6526-0013	MCKS-N1-B-31S6G1-72.0
1-1532175-0	72	M83513/04-E14N	094-6526-0014	MCKS-N1-B-31S6G9-72.0
1-1532175-1	72	M83513/04-E15N	094-6526-0015	MCKS-N1-B-31S6Q1-72.0
1-1532175-2	72	M83513/04-E16N	094-6526-0016	MCKS-N1-B-31S6Q9-72.0
1-1532175-3	0.5	M83513/04-E05N	094-6526-0005	MCKS-N1-B-31S5L4-0.5
1-1532175-4	1.0	M83513/04-E06N	094-6526-0006	MCKS-N1-B-31S5L4-1.0
1-1532175-5	0.5	M83513/04-E07N	094-6526-0007	MCKS-N1-B-31S5L5-0.5
1-1532175-6	1.0	M83513/04-E08N	094-6526-0008	MCKS-N1-B-31S5L5-1.0
1-1532175-7	18	M83513/04-E01C	094-6536-0001	MCKS-C2-B-31S6G1-18.0
1-1532175-8	36	M83513/04-E02C	094-6536-0002	MCKS-C2-B-31S6G1-36.0
1-1532175-9	18	M83513/04-E03C	094-6536-0003	MCKS-C2-B-31S6G9-18.0
2-1532175-0	36	M83513/04-E04C	094-6536-0004	MCKS-C2-B-31S6G9-36.0
2-1532175-1	0.5	M83513/04-E05C	094-6536-0005	MCKS-C2-B-31S5L4-0.5
2-1532175-2	1.0	M83513/04-E06C	094-6536-0006	MCKS-C2-B-31S5L4-1.0
2-1532175-3	0.5	M83513/04-E07C	094-6536-0007	MCKS-C2-B-31S5L5-0.5
2-1532175-4	1.0	M83513/04-E08C	094-6536-0008	MCKS-C2-B-31S5L5-1.0
2-1532175-5	18	M83513/04-E09C	094-6536-0009	MCKS-C2-B-31S6Q1-18.0
2-1532175-6	36	M83513/04-E10C	094-6536-0010	MCKS-C2-B-31S6Q1-36.0
2-1532175-7	18	M83513/04-E11C	094-6536-0011	MCKS-C2-B-31S6Q9-18.0
2-1532175-8	36	M83513/04-E12C	094-6536-0012	MCKS-C2-B-31S6Q9-36.0
2-1532175-9	72	M83513/04-E13C	094-6536-0013	MCKS-C2-B-31S6G1-72.0
3-1532175-0	72	M83513/04-E14C	094-6536-0014	MCKS-C2-B-31S6G9-72.0
3-1532175-1	72	M83513/04-E15C	094-6536-0015	MCKS-C2-B-31S6Q1-72.0
3-1532175-2	72	M83513/04-E16C	094-6536-0016	MCKS-C2-B-31S6Q9-72.0

3

1

TE PART NUMBER	L DIM	MIL-DTL-83513 PIN	MICRODOT P/N	MCKS DESCRIPTION
3-1532175-3	18	M83513/04-E01P	094-6546-0001	MCKS-P1-B-31S6G1-18.0
3-1532175-4	36	M83513/04-E02P	094-6546-0002	MCKS-P1-B-31S6G1-36.0
3-1532175-5	18	M83513/04-E03P	094-6546-0003	MCKS-P1-B-31S6G9-18.0
3-1532175-6	36	M83513/04-E04P	094-6546-0004	MCKS-P1-B-31S6G9-36.0
3-1532175-7	0.5	M83513/04-E05P	094-6546-0005	MCKS-P1-B-31S5L4-0.5
3-1532175-8	1.0	M83513/04-E06P	094-6546-0006	MCKS-P1-B-31S5L4-1.0
3-1532175-9	0.5	M83513/04-E07P	094-6546-0007	MCKS-P1-B-31S5L5-0.5
4-1532175-0	1.0	M83513/04-E08P	094-6546-0008	MCKS-P1-B-31S5L5-1.0
4-1532175-1	18	M83513/04-E09P	094-6546-0009	MCKS-P1-B-31S6Q1-18.0
4-1532175-2	36	M83513/04-E10P	094-6546-0010	MCKS-P1-B-31S6Q1-36.0
4-1532175-3	18	M83513/04-E11P	094-6546-0011	MCKS-P1-B-31S6Q9-18.0
4-1532175-4	36	M83513/04-E12P	094-6546-0012	MCKS-P1-B-31S6Q9-36.0
4-1532175-5	72	M83513/04-E13P	094-6546-0013	MCKS-P1-B-31S6G1-72.0
4-1532175-6	72	M83513/04-E14P	094-6546-0014	MCKS-P1-B-31S6G9-72.0
4-1532175-7	72	M83513/04-E15P	094-6546-0015	MCKS-P1-B-31S6Q1-72.0
4-1532175-8	72	M83513/04-E16P	094-6546-0016	MCKS-P1-B-31S6Q9-72.0

THIS DRAWING IS A CONTROLLED DOCUMENT.		DWN B ROMANCHUK 03SEP2008	 TE Connectivity	
DIMENSIONS: IN		CHK -		
TOLERANCES UNLESS OTHERWISE SPECIFIED:		NAME RECEPTACLE ASSEMBLY MICRO-D PER MIL-DTL-83513/04 MCKS SERIES, 31 POSITION		RESTRICTED TO -
0 PLC ±- 1 PLC ±- 2 PLC ±.010 3 PLC ±.005 4 PLC ±- ANGLES ±1° FINISH -		PRODUCT SPEC -		
MATERIAL SEE NOTES		APPLICATION SPEC -		SIZE A2
		WEIGHT -		CAGE CODE 98278
		CUSTOMER DRAWING		DRAWING NO G-1532175
		SCALE 4:1		SHEET 2 OF 2
				REV B