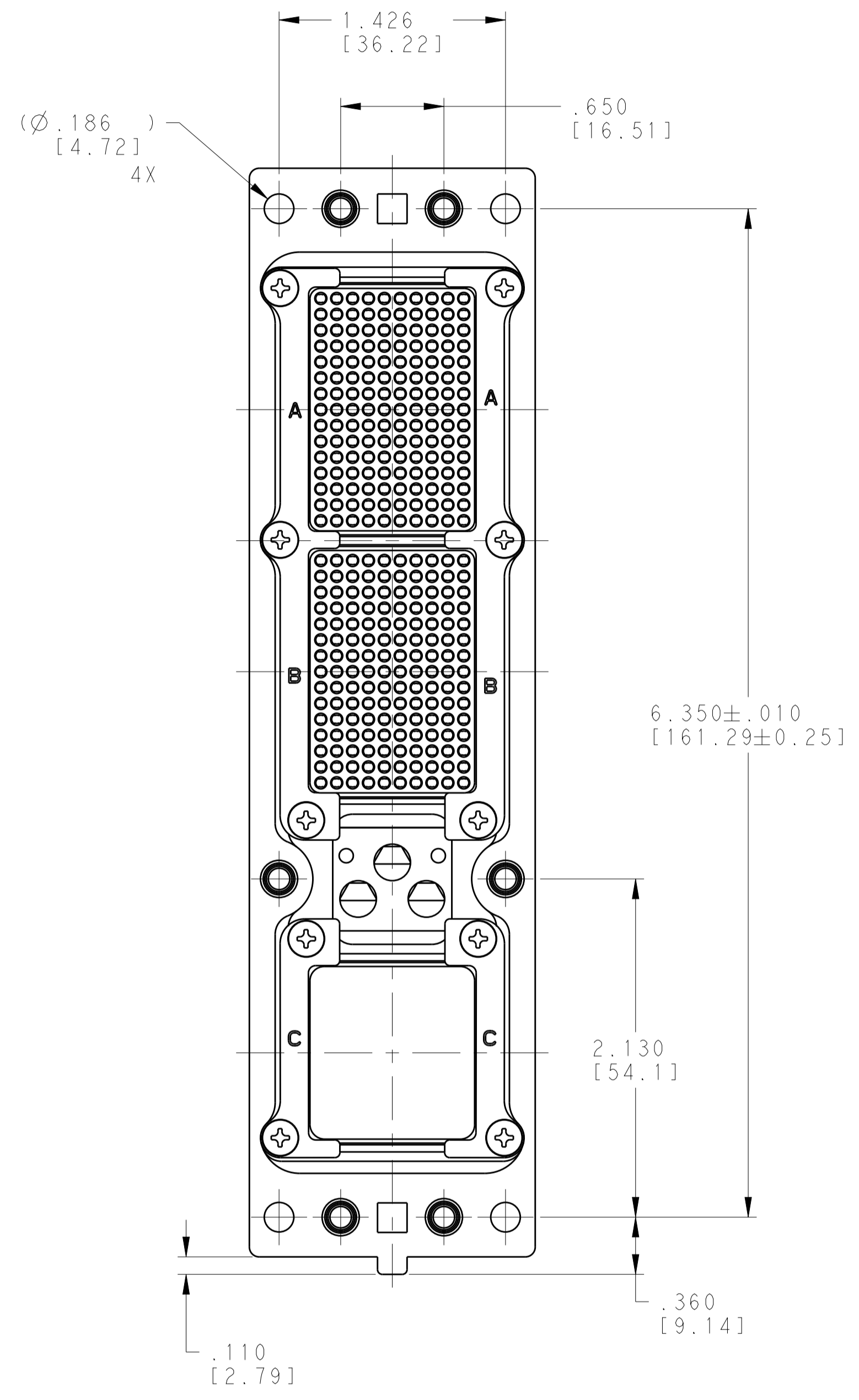
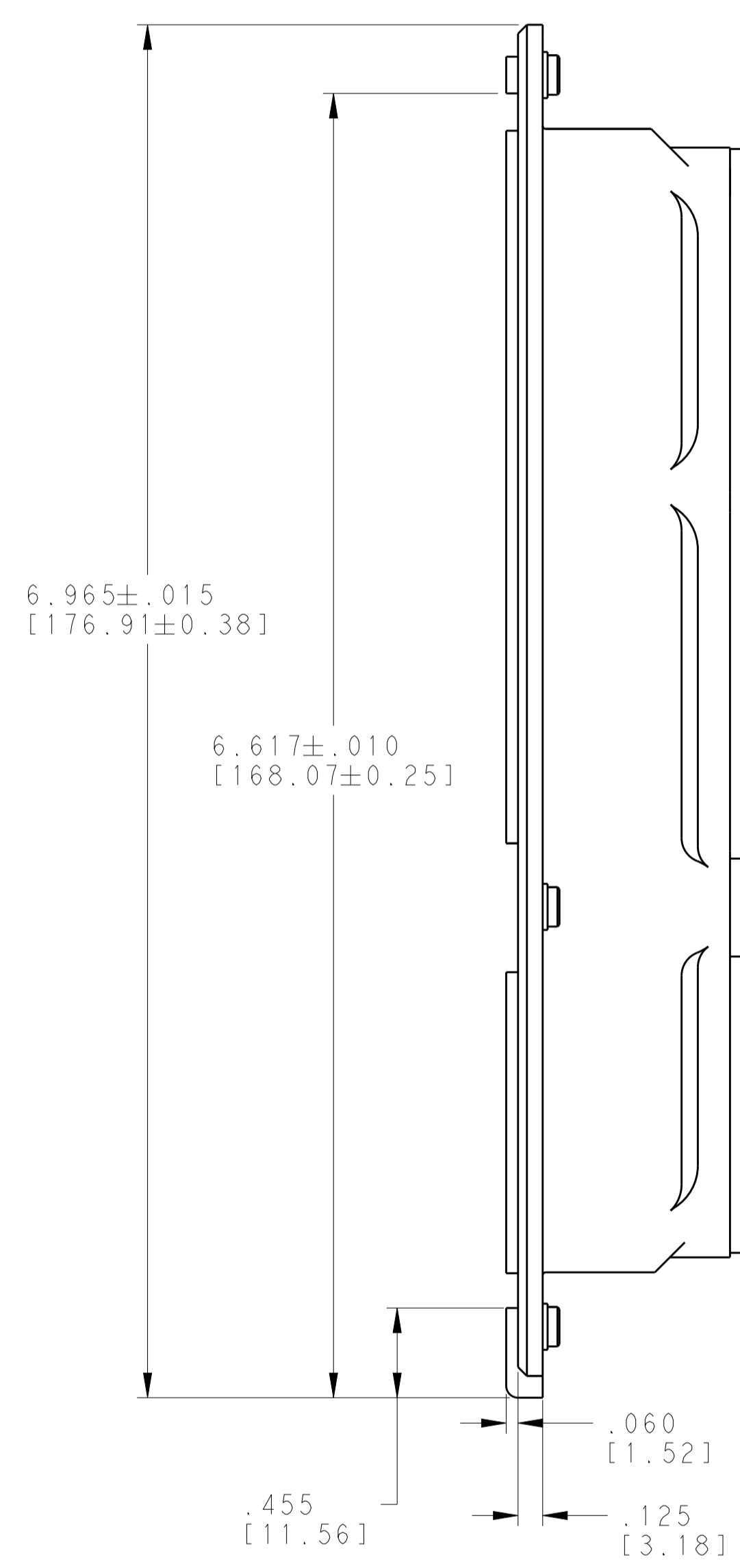
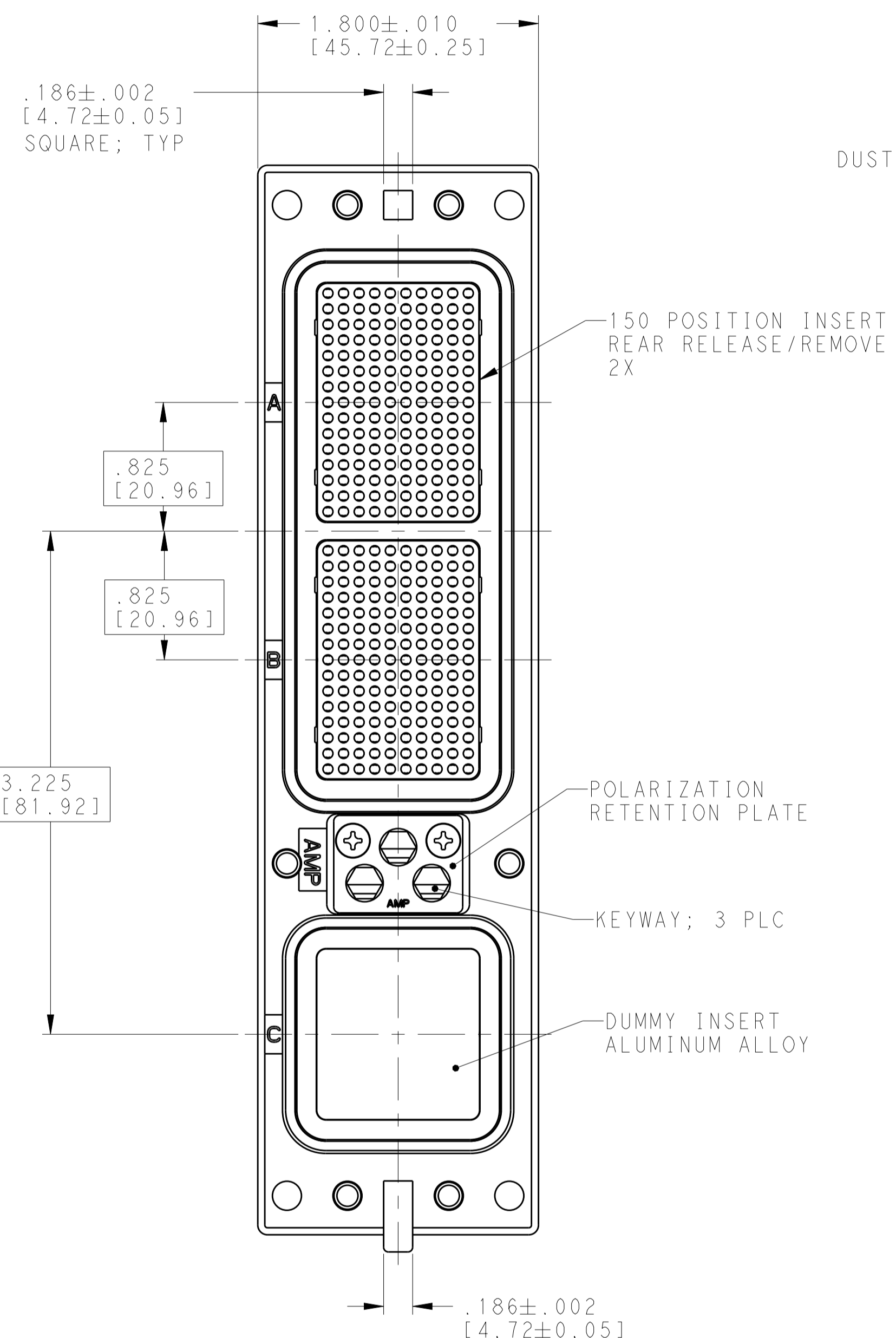
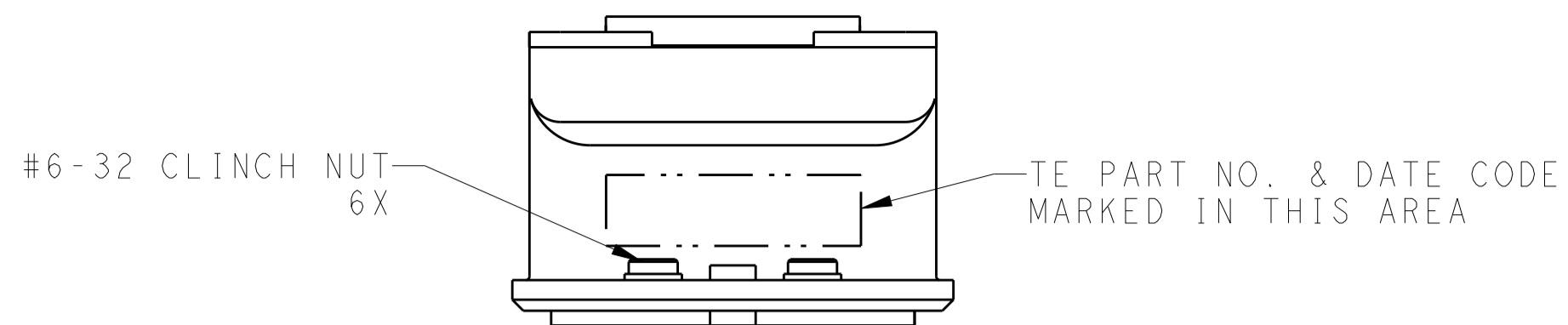


REVISIONS				
P.	LTN.	DESCRIPTION	DATE	APVD.
C		REV PER ECO 14-013505	9-22-14	CT WB
D		REVISED PER ECO-17-015513	19DEC2017	PHM CT



COMPONENT	MATERIAL	FINISH
POLARIZATION KEYWAY 3 PLC	ZINC ALLOY PER ASTM-B-86	---
KEYWAY RETAINER PLATE	ALUMINUM ALLOY	BLUE ANODIZED PER MIL-A-8625
150 INSERTS	THERMOPLASTIC	---
SHELL	ALUMINUM ALLOY PER ASTM-B-85	ELECTROLESS NICKEL PER MIL-C-26074 CLASS 4, GRADE B
RETENTION PLATES	ALUMINUM ALLOY PER ASTM-B-209	

- CONNECTOR MEETS ARINC 600 SPECIFICATIONS
- CONNECTOR IS SUPPLIED WITH A DUST COVER INSTALLED FOR SHIPPING.
- KEYING INSTALLED IN POSITION "01". FOR POSITION "00" KEYING SUPPLIED UNASSEMBLED.
- CONTACTS ARE PACKAGED IN A SEPERATE CONTAINER AND SHIPPED WIYH CONNECTOR.

MODULE A SZ 22 CRIMP SOCKET CONTACT, TE P/N 208264-2 (QTY = 150)	"01"	2221947-1
MODULE B SZ 22 CRIMP SOCKET CONTACT, TE P/N 208264-2 (QTY = 150)		
MODULE C NONE		
CONTACTS INCLUDED AND NOT INSTALLED	KEYING POSITION	PART NUMBER

THIS DRAWING IS A CONTROLLED DOCUMENT.

DIMENSIONS: INCHES [mm]	TOLERANCES UNLESS OTHERWISE SPECIFIED:	DWN: C.C. THOMAS 2-19-14	CHK: W. BERNHART 2-19-14	APVD: W. BERNHART 2-19-14
0 PLC ±	1 PLC ±	2 PLC ±	3 PLC ±	4 PLC ±
ANGLES ±	FINISH ±	WEIGHT	SCALE 3:2	SHEET 1 OF 1

Customer Drawing

STE TE Connectivity

NAME: RECPTACLE ASSY, SIZE 2, ARINC 600 REAR RELEASE, (150/150/DUMMY)

SIZE: A1 CAGE CODE: 00779 DRAWING NO: 2221947

RESTRICTED TO: -