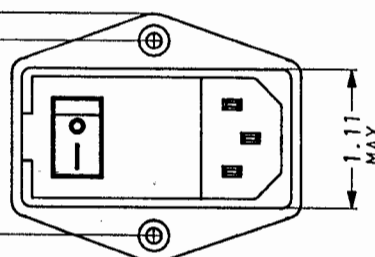
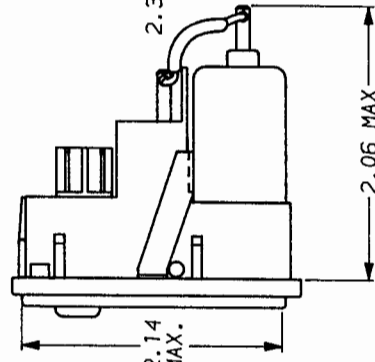
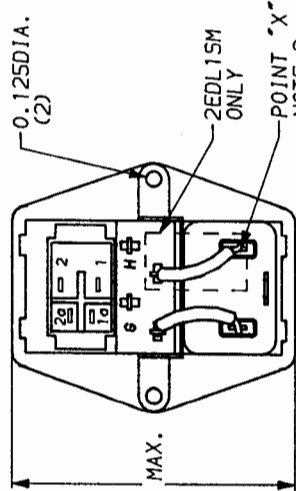
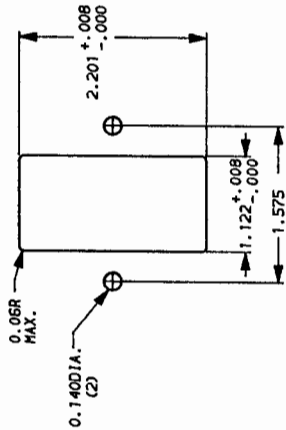
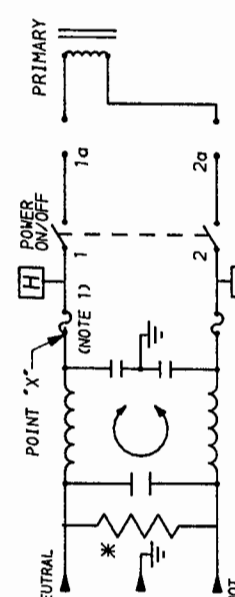


**RECOMMENDED PANEL CUTOUT**  
(NOT TO SCALE)



**ALTERNATE SWITCH**



**NOTE:**  
 1.) PROVISION FOR DUAL EUROPEAN STYLE FUSING.  
 2.) 2EDL15 JUMPER FROM POINT X TO 1 AND FROM G TO 2. 2EDL15CM JUMPER FROM H TO 1 AND FROM G TO 2.

\*RESISTOR ADDED TO PRODUCT BUILT AFTER 3-30-92 (9212).

**SAFETY ORGANIZATION(S).**

THIS FILTER HAS BEEN FORMALLY RECOGNIZED, CERTIFIED OR APPROVED BY THE LISTED AGENCY. THEREFORE, ALL TEST/REQUIREMENTS SPECIFIED IN THE LATEST REVISION OF THE FOLLOWING AGENCY STANDARDS HAVE BEEN MET.

- UL 1283
- CSA 22.2, NO.0.0.4.8
- VDE 565-3, 625
- SEN 432901
- SEV 1055/TP1977/5.1.1

**OPERATING SPECIFICATIONS.**

- LINE VOLTAGE/CURRENT: 2 AMP., 120/250 VAC; 2 AMP./40°C, 250 VAC
- LINE FREQUENCY: 50-60HZ
- MAX. LEAKAGE CURRENT, EACH LINE TO GROUND: .25mA @ 120V 50HZ; .40mA @ 250V 50HZ
- OPERATING AMBIENT TEMP. RANGE: -10°C TO +40°C @ RATED CURRENT, I<sub>r</sub>
- IN AN AMBIENT, I<sub>a</sub>, HIGHER THAN 40°C, THE MAXIMUM OPERATING CURRENT, I<sub>o</sub>, IS AS FOLLOWS:  

$$I_o = I_r \sqrt{\frac{85 - I_a}{45}}$$

**RELIABILITY SPECIFICATIONS.**

- STORAGE TEMPERATURE: -25°C TO +85°C
- HUMIDITY: 21 DAYS @ 40°C 95% RH
- CURRENT OVERLOAD TEST: 6 TIMES RATED CURRENT FOR 8 SECONDS

**TEST SPECIFICATIONS.**

- INDUCTANCE: .75mH NOMINAL
- CAPACITANCE: (MEASURED @ 1 KHZ, 0.25 VAC MAX., 25°C ± 1°C)
  - LINE TO GROUND: .0028µF ± 20%
  - LINE TO LINE: .047µF ± 20%
- DISCHARGE RESISTOR: 1.5 MΩ
- LINE/GROUND AND LINE/LINE INSULATION RESISTANCE (W/O DISCHARGE RESISTOR): 6000 MΩ (MIN) AT 100 VDC; 20°C AND 50% RH

**RECOMMENDED RECEIVING INSPECTION HIPOIT.**

- LINE TO GROUND: 2250 VDC FOR 1 MINUTE
- LINE TO LINE: 1450 VDC FOR 1 MINUTE

**FILTER APPROVAL.**

THE BEST WAY TO SELECT AND QUALIFY A FILTER IS FOR YOUR ENGINEERING TO TEST THE UNIT IN YOUR EQUIPMENT.

**TOLERANCE EXCEPT AS NOTED**

DECIMAL: .XXX .XX .X ANGLES ENGLISH: ±.025 .X ±.1° METRIC: ±

**MATERIAL: AS SUPPLIED**

**FINISH:**

This document is proprietary to CORCOM INC. and is not to be reproduced nor used for manufacturing purposes except on CORCOM's order or prior written consent.



**CORCOM**  
LIBERTYVILLE, IL 60048

**POWER LINE FILTER**

SCALE	DATE	DRG. NO.	REV.
NTS	3-4-87	2EDL15 & 2EDL15M	6
DES. BY	ORIGINATOR		
LJD	CFH		

APPROVED BY: *C. Westoby* DATE: 4-20-92

REV: 6