

NHD-5.0-800480TF-ATXL#-T

TFT (Thin-Film-Transistor) Color Liquid Crystal Display Module

| | |
|---------|---|
| NHD- | Newhaven Display |
| 5.0- | 5.0" Diagonal |
| 800480- | 800xRGBx480 Pixels |
| TF- | Model |
| A- | Built-in Driver / No Controller |
| T- | White LED Backlight |
| X- | TFT |
| L- | 12:00 Optimum View, Enhanced Optical Characteristics, Wide Temp |
| #- | RoHS Compliant |
| T- | 4-wire Resistive Touch Panel |

Newhaven Display International, Inc.

2661 Galvin Court

Elgin IL, 60124

Ph: 847-844-8795

Fax: 847-844-8796

www.newhavendisplay.com

nhtech@newhavendisplay.com

nhsales@newhavendisplay.com

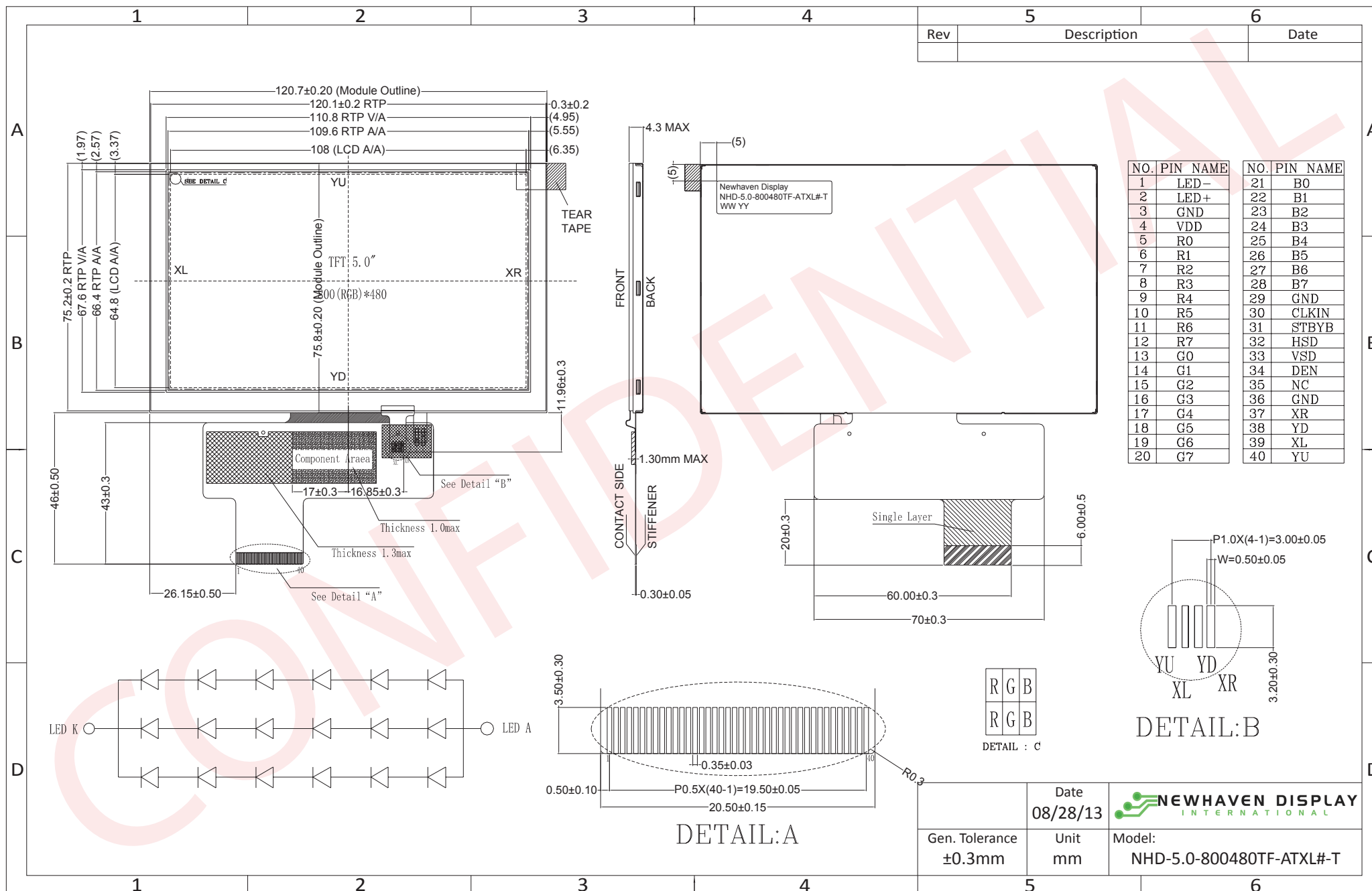
Document Revision History

| Revision | Date | Description | Changed by |
|----------|-----------|------------------------------------|------------|
| 0 | 8/28/2013 | Initial Release | AK |
| 1 | 9/16/2014 | Electrical Characteristics updated | ML |

Functions and Features

- 800xRGBx480 resolution, up to 16.7M colors
- 18-LED backlight
- 24 bit RGB interface
- Enhanced Optical Characteristics
- 4-wire Resistive Touch Panel

Mechanical Drawing



The drawing contained herein is the exclusive property of Newhaven Display International, Inc. and shall not be copied, reproduced, and/or disclosed in any format without permission.

Pin Description

| Pin No. | Symbol | External Connection | Function Description |
|---------|---------|---------------------|---------------------------------------|
| 1 | LED- | LED Power Supply | Ground for Backlight |
| 2 | LED+ | LED Power Supply | Backlight Power Supply (60mA @ 19.2V) |
| 3 | GND | Power Supply | Ground |
| 4 | VDD | Power Supply | Power supply for LCD and logic (3.3V) |
| 5-12 | [R0-R7] | MPU | Red Data Signals |
| 13-20 | [G0-G7] | MPU | Green Data Signals |
| 21-28 | [B0-B7] | MPU | Blue Data Signals |
| 29 | GND | Power Supply | Ground |
| 30 | CLKIN | MPU | Clock for input data (Rising Edge) |
| 31 | STBYB | MPU | 1: Normal Operation; 0: Standby Mode |
| 32 | HSD | MPU | Line synchronization signal |
| 33 | VSD | MPU | Frame synchronization signal |
| 34 | DEN | MPU | Data Enable signal |
| 35 | NC | - | No Connect |
| 36 | GND | Power Supply | Ground |
| 37 | XR | Touch Controller | Touch Panel Right |
| 38 | YD | Touch Controller | Touch Panel Down |
| 39 | XL | Touch Controller | Touch Panel Left |
| 40 | YU | Touch Controller | Touch Panel Up |

Recommended LCD connector: 0.5mm pitch 40-Conductor FFC. Molex p/n: 54104-4031 (top contact)

Backlight connector: on LCD connector

Mates with: ---

Electrical Characteristics

| Item | Symbol | Condition | Min. | Typ. | Max. | Unit |
|-----------------------------|--------|--------------|---------|------|---------|------|
| Operating Temperature Range | Top | Absolute Max | -20 | - | +70 | °C |
| Storage Temperature Range | Tst | Absolute Max | -30 | - | +80 | °C |
| Supply Voltage | VDD | | 3.0 | 3.3 | 3.6 | V |
| Supply Current | IDD | VDD=3.3 | - | 77 | - | mA |
| "H" Level input | Vih | | 0.7*VDD | - | VDD | V |
| "L" Level input | Vil | | 0 | - | 0.3*VDD | V |
| "H" Level output | Voh | | VDD-0.4 | - | - | V |
| "L" Level output | Vol | | - | - | VSS+0.4 | V |
| Backlight Supply Voltage | VLED | | 16.2 | 19.2 | 20.4 | V |
| Backlight Supply Current | ILED | | 45 | 60 | 75 | mA |

Optical Characteristics:

| Item | Symbol | Condition | Min. | Typ. | Max. | Unit |
|------------------------|--------|-----------|------|------|------|-------------------|
| Viewing Angle – Top | | Cr ≥ 10 | 60 | 75 | - | ° |
| Viewing Angle – Bottom | | | 50 | 65 | - | ° |
| Viewing Angle – Left | | | 60 | 75 | - | ° |
| Viewing Angle – Right | | | 60 | 75 | - | ° |
| Contrast Ratio | Cr | | 500 | 600 | - | |
| Luminance | YL | | 320 | 400 | - | cd/m ² |
| Response Time | Tr+Tf | - | - | 20 | 30 | ms |

Touch Panel Characteristics

| Item | Min. | Typ. | Max. | Unit |
|-----------------------------|-----------|------|------|------------|
| Linearity | -1.5 | - | 1.5 | % |
| Circuit Resistance – X-Axis | 350 | - | 1000 | Ω |
| Circuit Resistance – Y-Axis | 100 | - | 450 | Ω |
| Insulation Resistance | 20 | - | - | MΩ |
| Operating Voltage | - | - | 10 | V |
| Chattering | - | - | 10 | ms |
| Transmittance | 80 | - | - | % |
| Activation Force | 20 | - | 100 | g |
| Pen Writing Durability | 100,000 | - | - | Characters |
| Pitting Durability | 1,000,000 | - | - | Touches |
| Surface Hardness | 3 | - | - | H |
| Haze | 4 | 7 | 10 | % |

Driver Information

Built-in HX8264-D02 Source Driver: http://www.newhavendisplay.com/app_notes/HX8264-D02.pdf

Built in HX8664-B Gate Driver: http://www.newhavendisplay.com/app_notes/HX8664-B.pdf

Timing Characteristics

| Parameter | Symbol | Spec. | | | Unit |
|------------------------|-----------|-------|------|------|------|
| | | Min. | Typ. | Max. | |
| HS setup time | T_{hst} | 8 | - | - | ns |
| HS hold time | T_{hhd} | 8 | - | - | ns |
| VS setup time | T_{vst} | 8 | - | - | ns |
| VS hold time | T_{vhd} | 8 | - | - | ns |
| Data setup time | T_{dsu} | 8 | - | - | ns |
| Data hold time | T_{dhd} | 8 | - | - | ns |
| DE setup time | T_{esu} | 8 | - | - | ns |
| DE hold time | T_{ehd} | 8 | - | - | ns |
| VDD Power On Slew rate | T_{POR} | - | - | 20 | ms |
| RSTB pulse width | T_{Rst} | 10 | - | - | us |
| CLKIN cycle time | T_{cph} | 20 | - | - | ns |
| CLKIN pulse duty | T_{cwh} | 40 | 50 | 60 | % |
| Output stable time | T_{sst} | - | - | 6 | us |

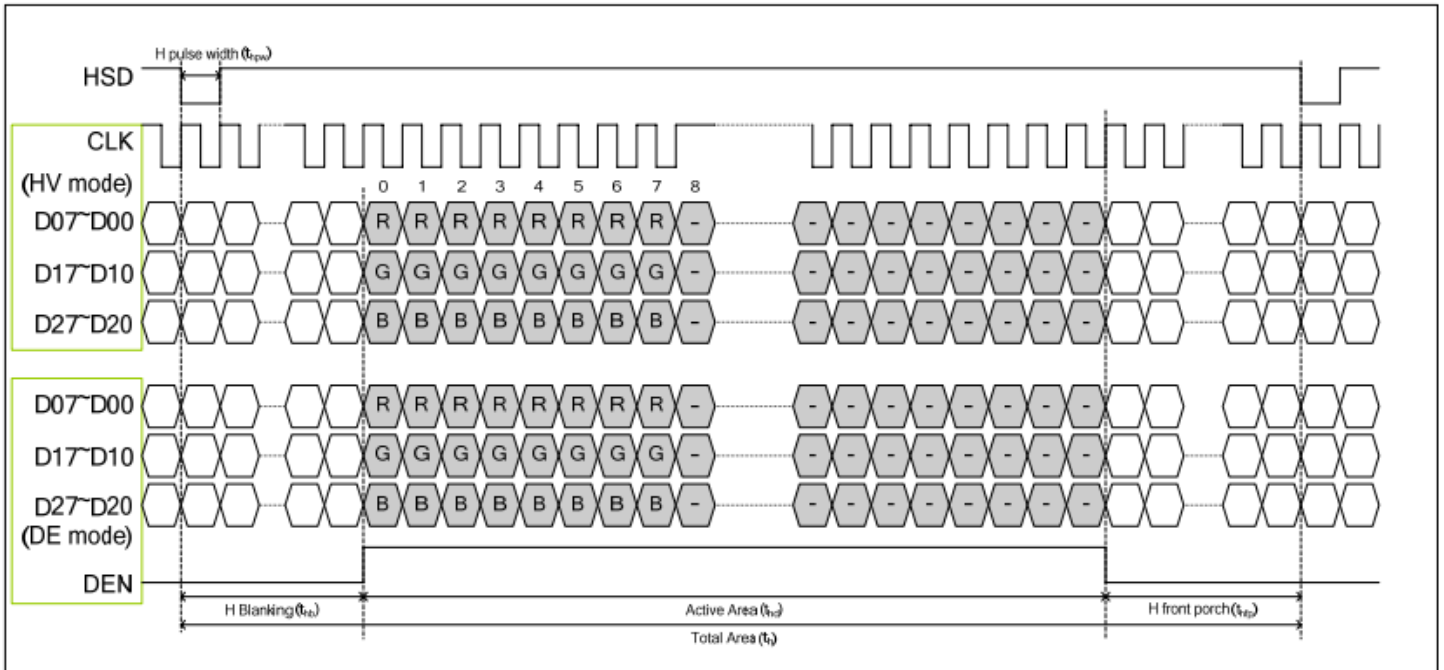
Horizontal timing

| Parameter | Symbol | Spec. | | | Unit |
|--------------------------|--------|-------|------|------|------|
| | | Min. | Typ. | Max. | |
| Horizontal Display Area | thd | 800 | | | DCLK |
| DCLK frequency | fclk | - | 30 | 50 | MHz |
| One Horizontal Line | th | 889 | 928 | 1143 | DCLK |
| HS pulse width | thpw | 1 | 48 | 255 | DCLK |
| HS Back Porch (Blanking) | thb | 88 | | | DCLK |
| HS Front Porch | thfp | 1 | 40 | 255 | DCLK |
| DE mode Blanking | th-thd | 85 | 128 | 512 | DCLK |

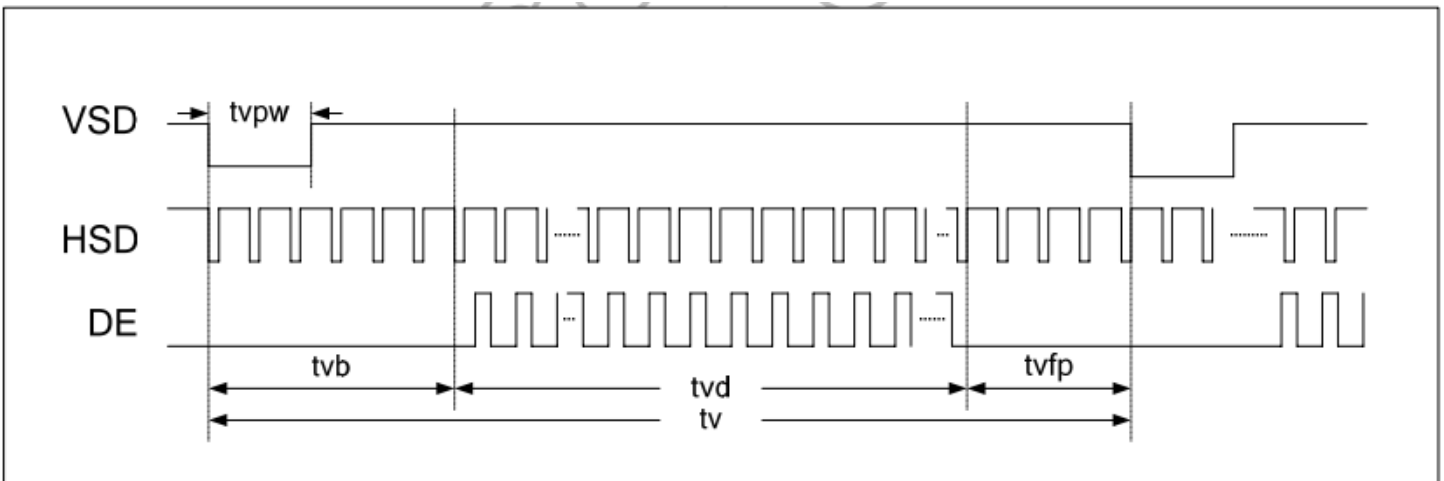
Vertical timing

| Parameter | Symbol | Spec. | | | Unit |
|--------------------------|--------|-------|------|------|-------|
| | | Min. | Typ. | Max. | |
| Vertical Display Area | tvd | 480 | | | T_H |
| VS period time | tv | 513 | 525 | 767 | T_H |
| VS pulse width | tvpw | 3 | 3 | 255 | T_H |
| VS Back Porch (Blanking) | tvb | 32 | | | T_H |
| VS Front Porch | tvfp | 1 | 13 | 255 | T_H |
| DE mode Blanking | tv-tvd | 4 | 45 | 255 | T_H |

Horizontal Timing



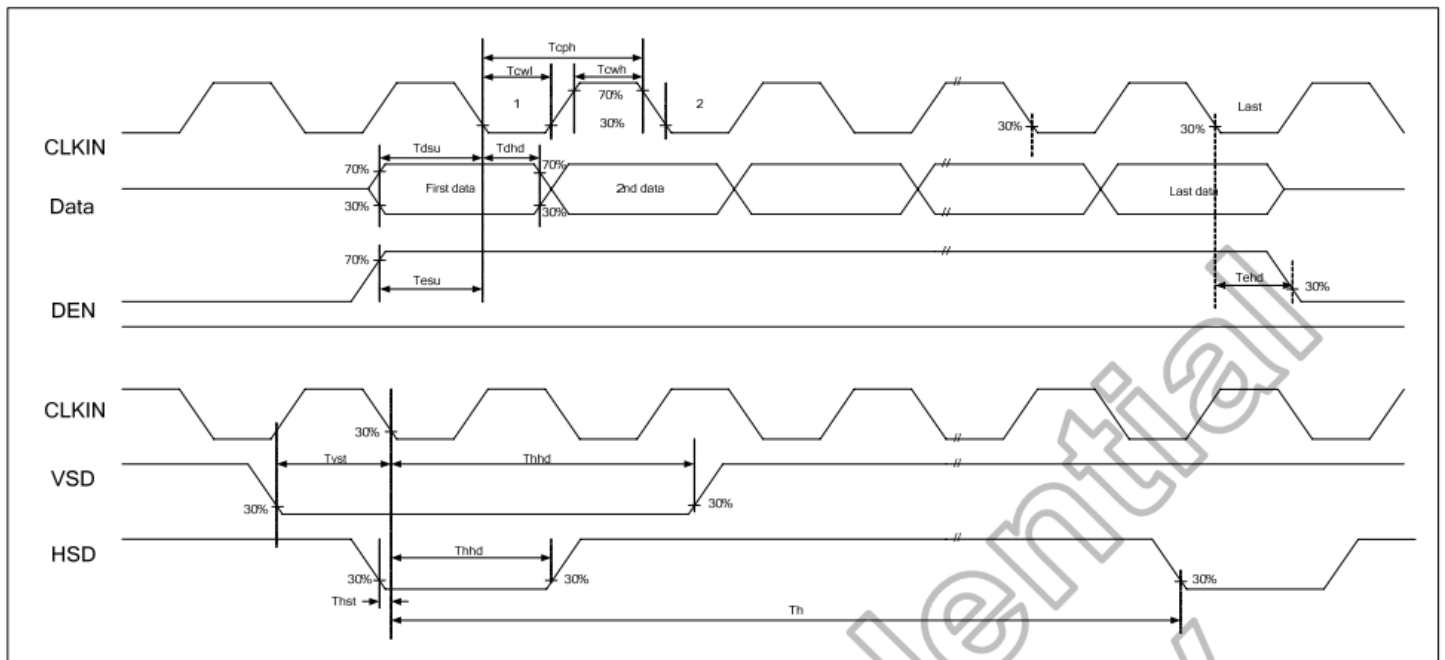
Vertical Timing



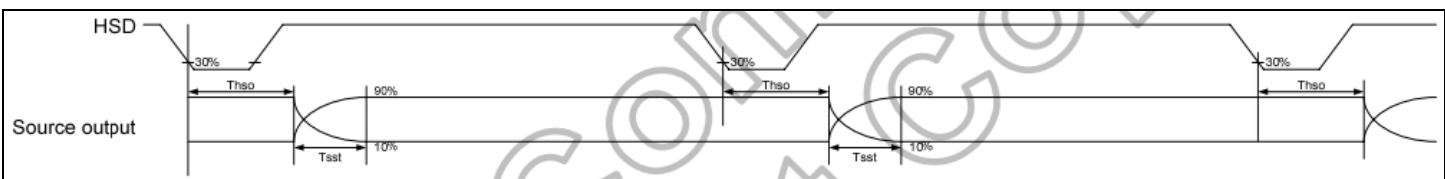
Parallel 24-bit RGB mode

| Parameter | Symbol | Min. | Typ. | Max. | Unit | Conditions |
|--------------------------------|--------|------|------|------|-------|---------------|
| CLKIN Frequency | Fclk | - | 40 | 50 | MHz | VDD=3.0V~3.6V |
| CLKIN Cycle Time | Tclk | 20 | 25 | - | ns | - |
| CLKIN Pulse Duty | Tcwh | 40 | 50 | 60 | % | Tclk |
| Time from HSD to Source Output | Thso | | 64 | | CLKIN | - |
| Time from HSD to LD | Thld | | 64 | | CLKIN | - |
| Time from HSD to STV | Thstv | | 2 | | CLKIN | - |
| Time from HSD to CKV | Thckv | | 20 | | CLKIN | - |
| Time from HSD to OEV | Thoev | | 4 | | CLKIN | - |
| LD Pulse Width | Twld | | 10 | | CLKIN | - |
| CKV Pulse Width | Twckv | | 66 | | CLKIN | - |
| OEV Pulse Width | Twoev | | 74 | | CLKIN | - |

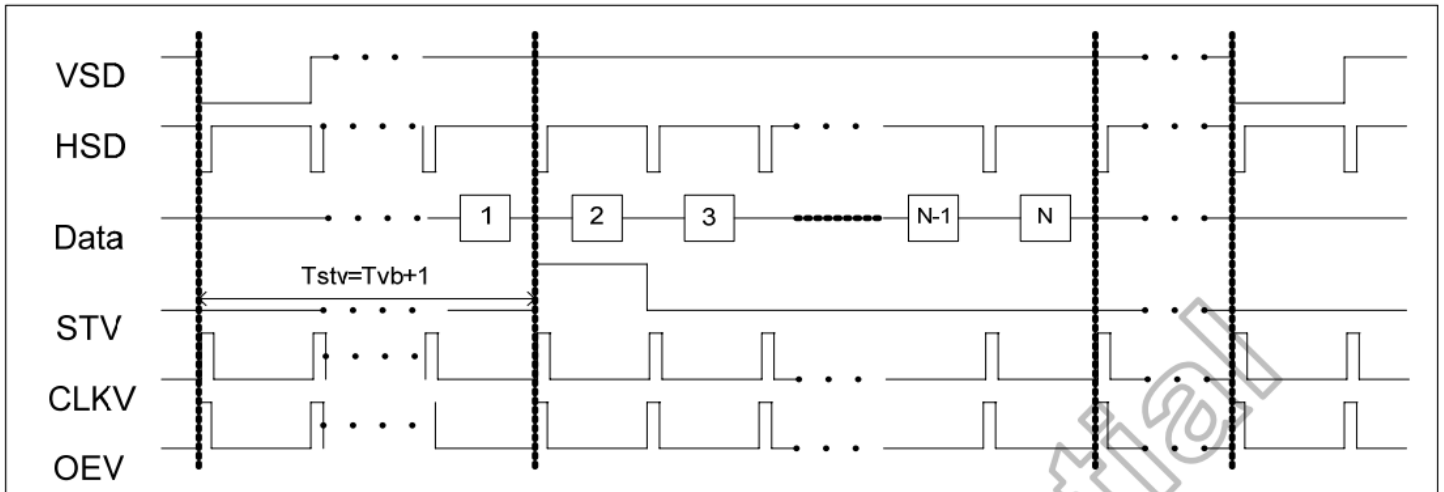
Input Clock and Data Timing



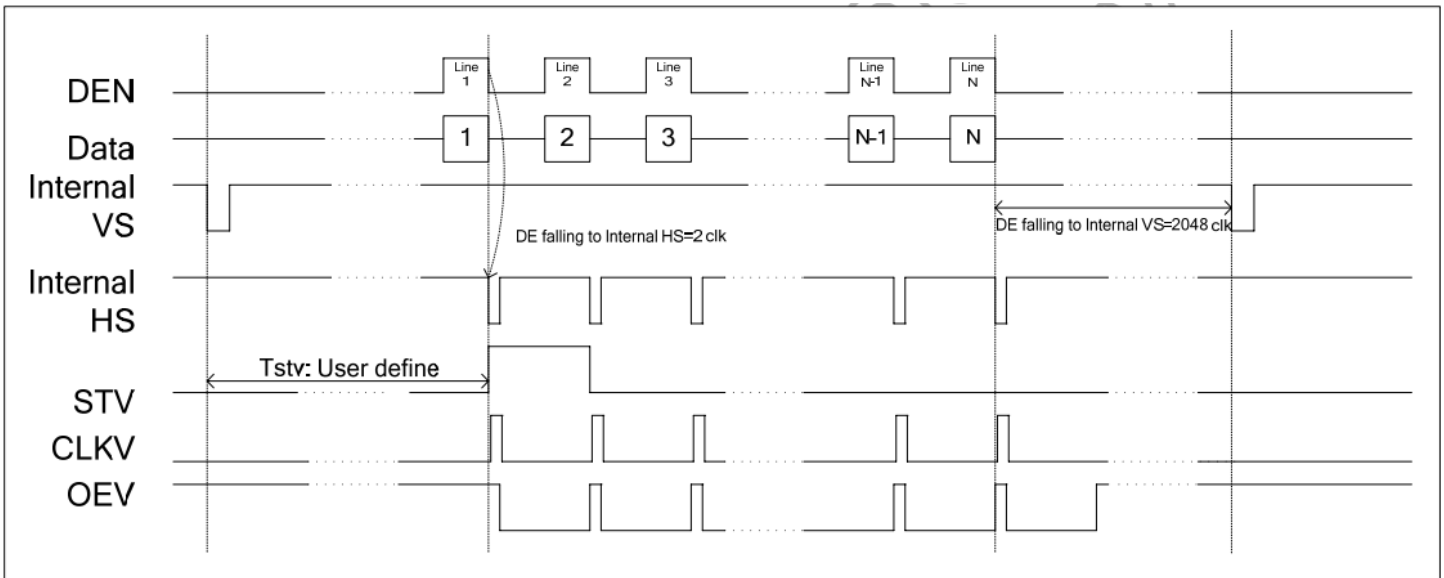
Source Output Timing



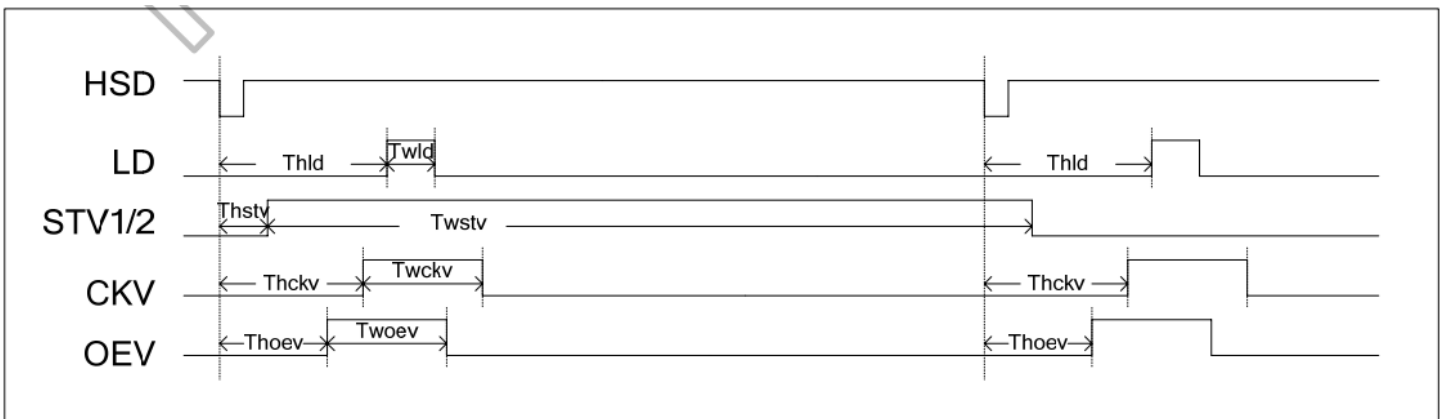
Vertical Timing HV (Cascade)



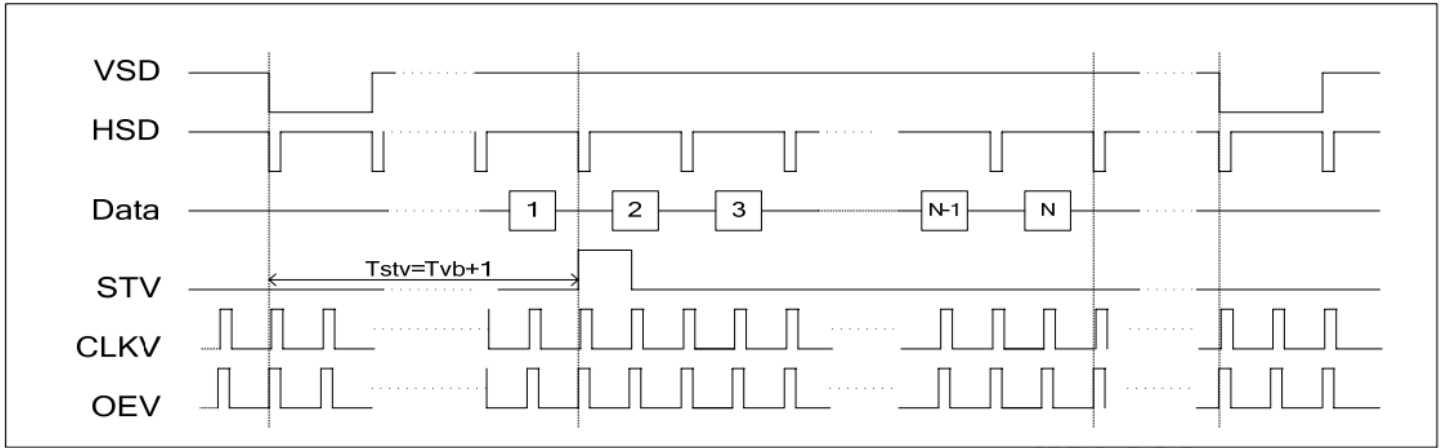
Vertical Timing DE (Cascade)



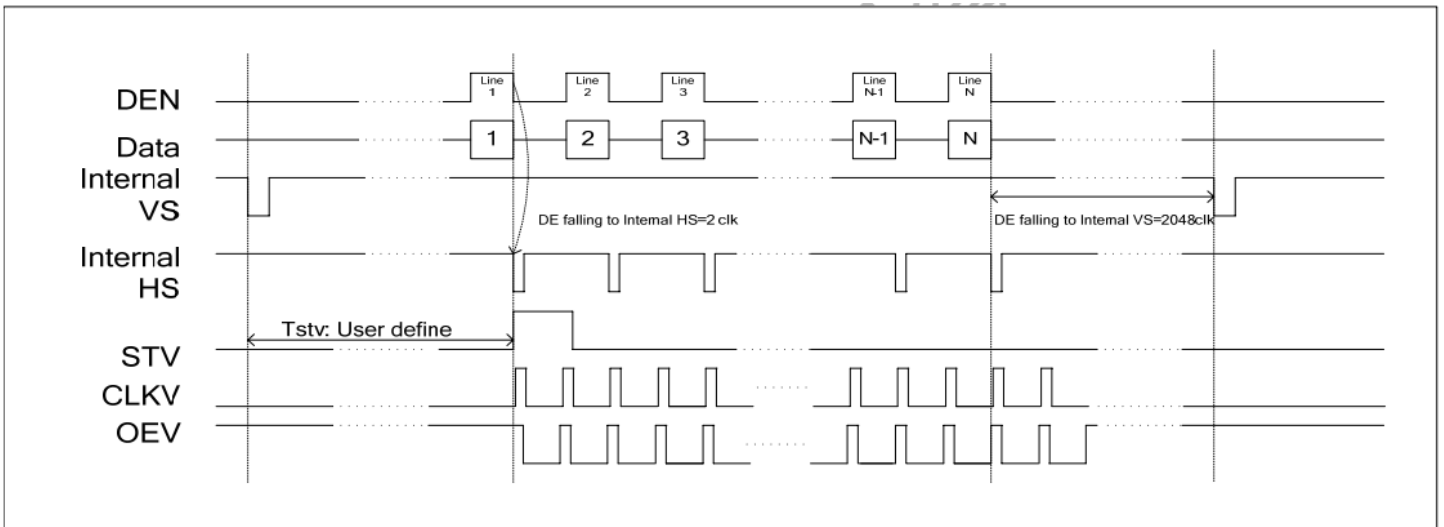
Gate Output Timing



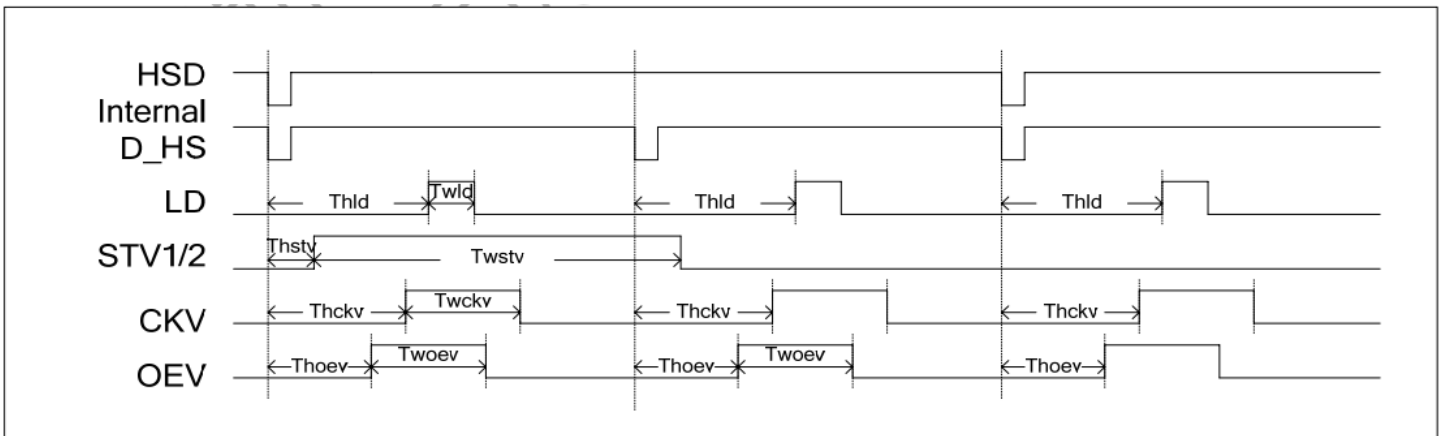
Vertical Timing HV (Dual Gate)



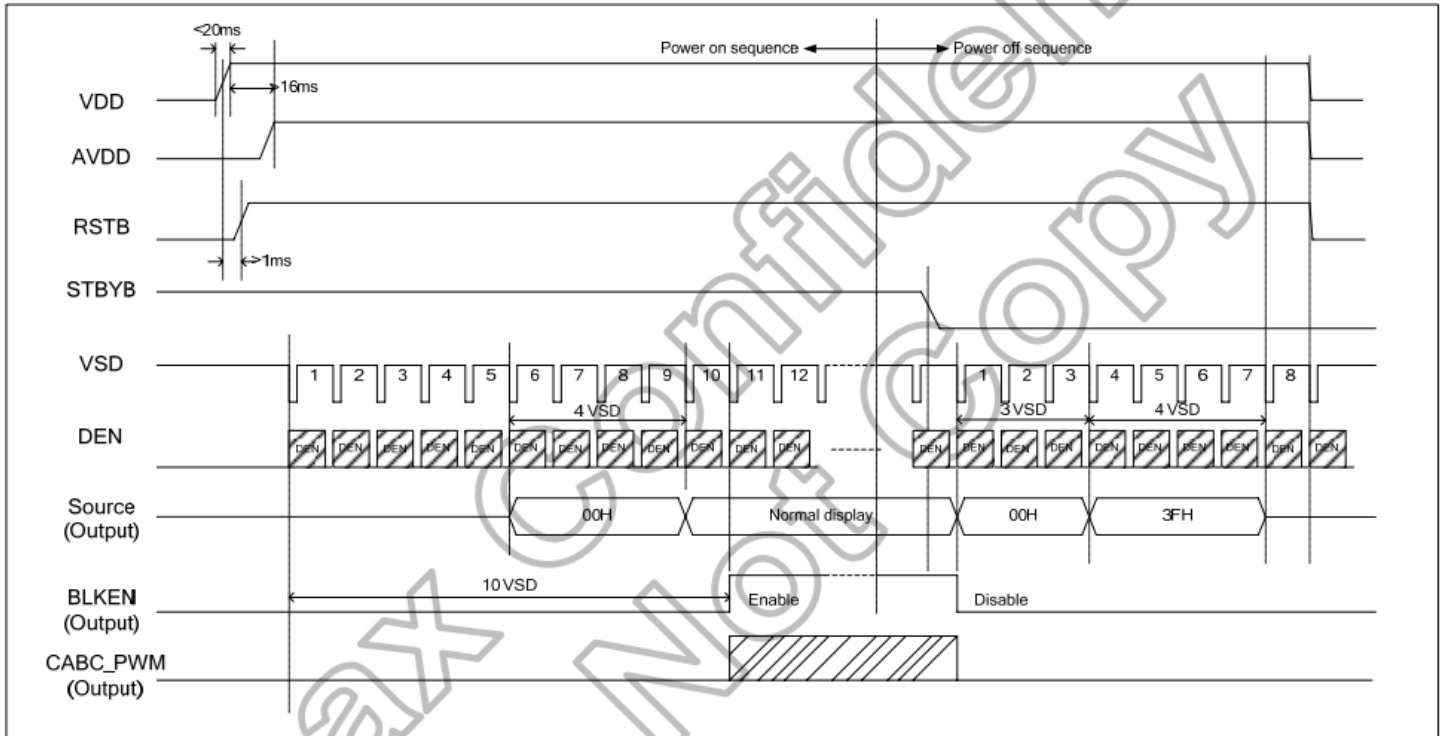
Vertical Timing DE (Dual Gate)



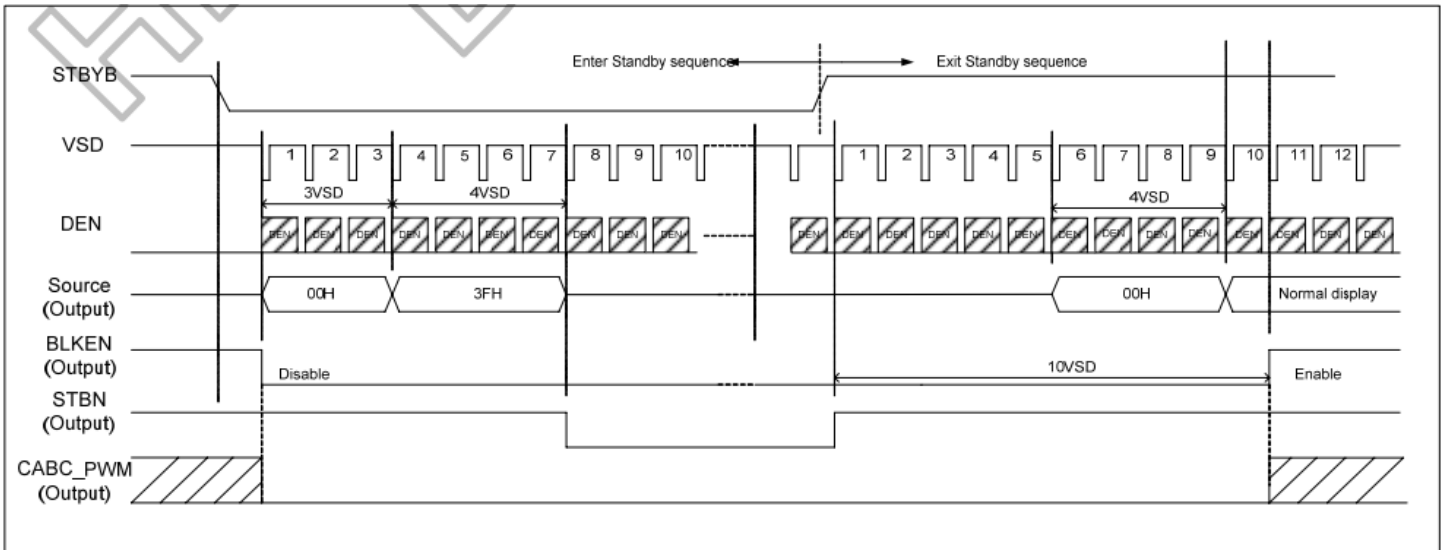
Gate Output Timing (Dual Gate)



Power ON/OFF Sequence



Enter/Exit Standby Mode Sequence



Quality Information

| Test Item | Content of Test | Test Condition | Note |
|---------------------------------------|---|---|------|
| High Temperature storage | Endurance test applying the high storage temperature for a long time. | +80°C , 96hrs | 2 |
| Low Temperature storage | Endurance test applying the low storage temperature for a long time. | -30°C , 96hrs | 1,2 |
| High Temperature Operation | Endurance test applying the electric stress (voltage & current) and the high thermal stress for a long time. | +70°C 96hrs | 2 |
| Low Temperature Operation | Endurance test applying the electric stress (voltage & current) and the low thermal stress for a long time. | -20°C , 96hrs | 1,2 |
| High Temperature / Humidity Operation | Endurance test applying the electric stress (voltage & current) and the high thermal with high humidity stress for a long time. | +50°C , 90% RH , 96hrs | 1,2 |
| Thermal Shock resistance | Endurance test applying the electric stress (voltage & current) during a cycle of low and high thermal stress. | -20°C,30min -> 25°C,5min ->70°C,30min = 1 cycle 20 cycles | |
| Vibration test | Endurance test applying vibration to simulate transportation and use. | 10-55Hz , 15mm amplitude. 60 sec in each of 3 directions X,Y,Z For 15 minutes | 3 |
| Static electricity test | Endurance test applying electric static discharge. | VS=800V, RS=1.5kΩ, CS=100pF One time | |

Note 1: No condensation to be observed.

Note 2: Conducted after 4 hours of storage at 25°C, 0%RH.

Note 3: Test performed on product itself, not inside a container.

Precautions for using LCDs/LCMs

See Precautions at www.newhavendisplay.com/specs/precautions.pdf

Warranty Information and Terms & Conditions

http://www.newhavendisplay.com/index.php?main_page=terms