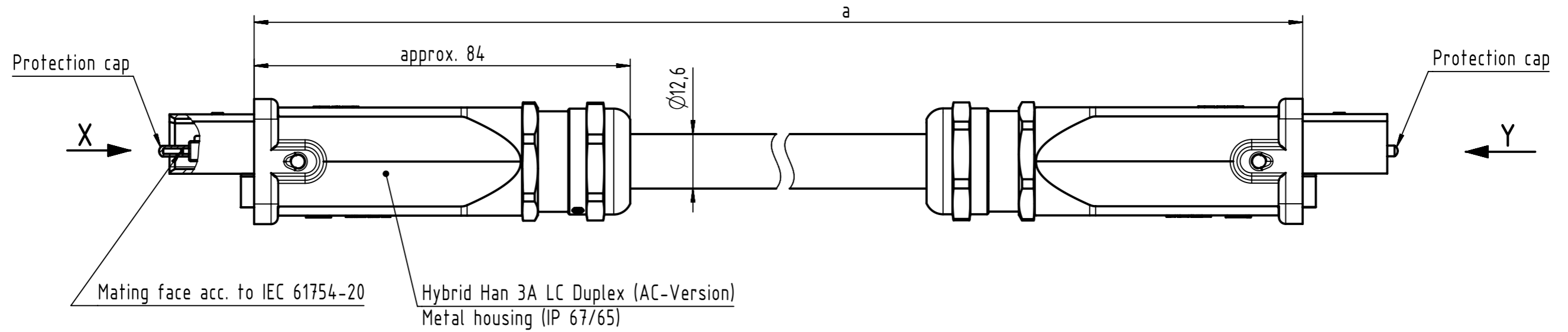
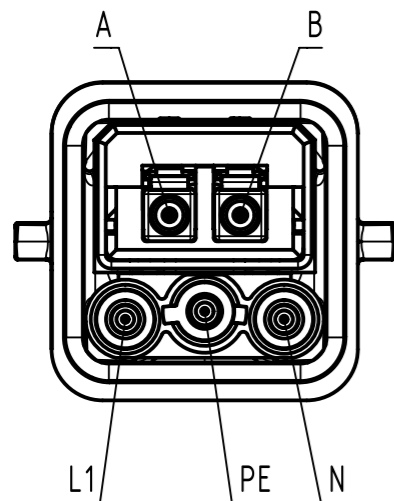


Connector Location A

Connector Location B



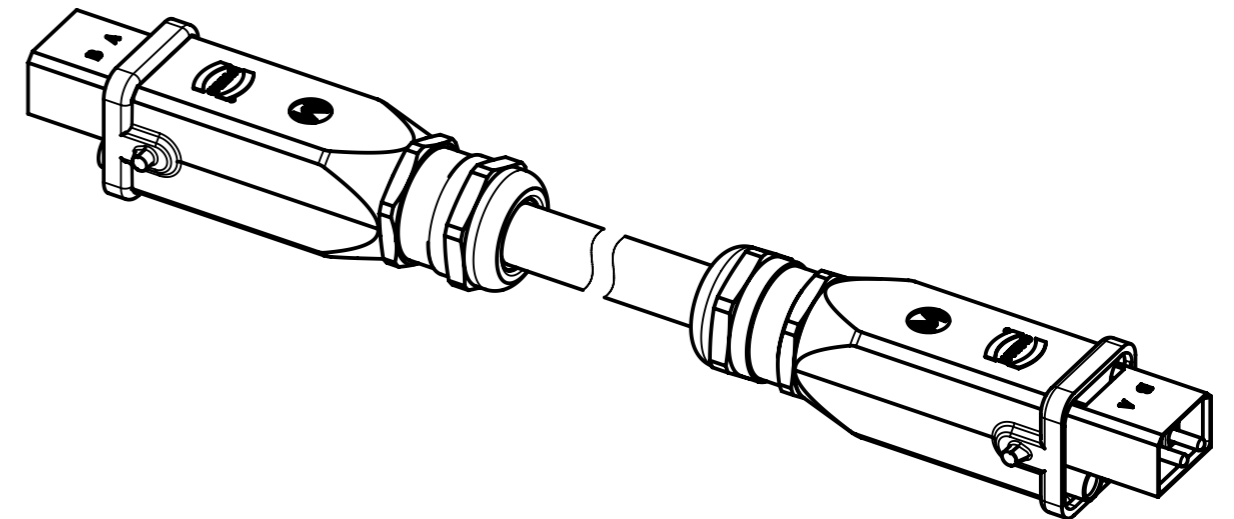
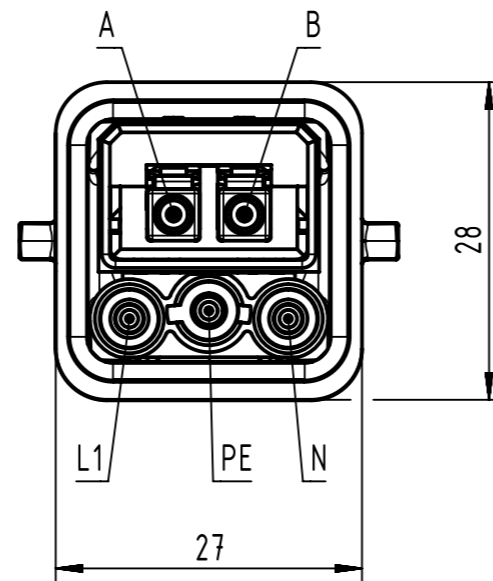
X
male
(without protection cap)



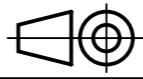

Loading-Plan
(Power AC version)
(Shield not connected)



Y
male
(without protection cap)



	All rights reserved		Created by COSTEA		Inspected by MUNTEANV		Standardisation AVRAM		Date 2017-11-06		State Final Release	
	Department HCS - RO		Title Han 3A FO Hybrid Cable Assembly				Doc-Key / ECM-Nr. 100183341/UGD/029/E 500000127419		Rev. E		Page 1/2	
HARTING Customised Solutions D-32427 Minden			Type TB		Number 335721XXXX5001							

1	2	3	4	5	6	7	8					
				31	33572110395001	Hybrid cable 2xFO MM 50/125 + 3x2.5mm ² , PVC, black	39					
				30	33572110375001		37					
				29	33572110355001		35					
				28	33572110345001		34					
				27	33572110325001		32					
				26	33572110305001		30					
				25	33572110285001		28					
				24	33572110265001		26					
				23	33572110255001		25					
				22	33572110245001		24					
				21	33572110225001		22					
				20	33572110205001		20					
				19	33572110195001		19					
				18	33572110185001		18					
				17	33572110175001		17					
				16	33572110165001		16					
				15	33572110155001		15					
				14	33572110145001		14					
				13	33572110135001		13					
				12	33572110125001		12					
				11	33572110115001		11					
				10	33572110105001		10					
				9	33572110095001		9					
				8	33572110085001		8					
				7	33572120755001		7.5					
				6	33572110055001		5					
				5	33572120355001		3.5					
				4	33572120255001		2.5					
				3	33572110025001		2					
				2	33572120155001		1.5					
				1	33572110015001		1					
				Cont. no.	Part no.		Type of cable	Dim. a[m]				
				 All Dimensions in mm			Tech. Character. Free size tol. According to production drawing					
				 All rights reserved Department HCS - RO			Created by COSTEA	Inspected by MUNTEANV	Standardisation AVRAM	Date 2017-11-06	State Final Release	
				HARTING Customised Solutions D-32427 Minden			Title Han 3A FO Hybrid Cable Assembly		Doc-Key / ECM-Nr. 100183341/UGD/029/E 500000127419		Rev. E	Page 2/2
					Type TB		Number 335721XXXX5001					
				40	33572113005001		Hybrid cable 2xFO MM 50/125 + 3x2.5mm ² , PVC, black	300				
				39	33572112005001			200				
				38	33572111005001			100				
				37	33572110605001			60				
				36	33572110565001	56						
				35	33572110505001	50						
				34	33572110465001	46						
				33	33572110425001	42						
				32	33572110405001	40						
				Cont. no.	Part no.	Type of cable		Dim. a[m]				

Mouser Electronics

Authorized Distributor

Click to View Pricing, Inventory, Delivery & Lifecycle Information:

[HARTING:](#)

[33572110405001](#) [33572110505001](#) [33572111005001](#)