

1000BASE-T SINGLE PORT TRANSFORMER MODULES



- Compliant with IEEE 802.3 Standard
- 350 μ OCL with 8mA bias at extended temperatures
- Operating temperature: -40°C to +85°C
- Storage temperature: -55°C to +125°C
- Lead Finish: Hot Dip Sn63/Pb37 Solder
- MSL: 3, RoHS peak reflow temperature rating 235°C

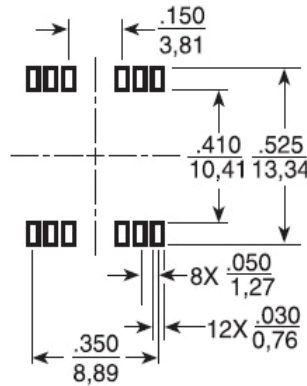
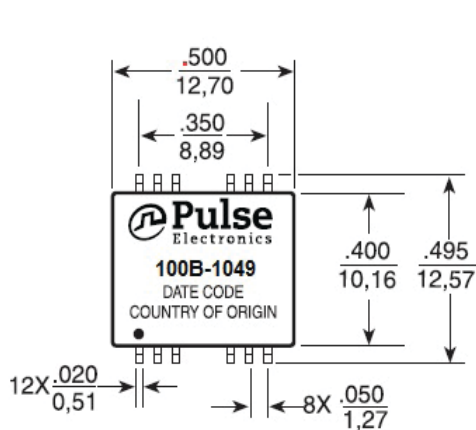
Electrical Specifications @ 25°C — Operating Temperature -40°C to +85°C

Part Number	Turns Ratio ($\pm 5\%$)		Insertion Loss (dB MAX)	Return Loss (dB MIN)			Differential to Common Mode Rejection (dB MIN)			Crosstalk (dB MIN)			Hipot (Vrms MIN)
	TX	wRX	100 KHz-100 MHz	30 MHz	60 MHz	80 MHz	30 MHz	50 MHz	100 MHz	30 MHz	62 MHz	100 MHz	
100B-1049	1:1	1:1	-1.0	-16	-12	-12	-42	—	-33	-45	-40	-35	1500

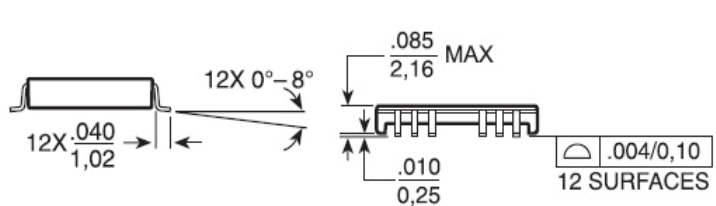
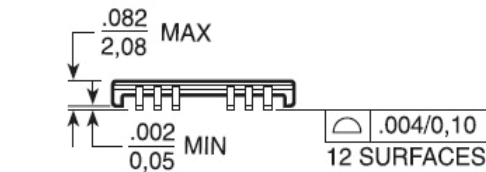
Notes: 1. Add suffix "NL" for RoHS compliant part: i.e. 100B-1049 becomes 100B-1049NL. 2. Optional Tape & Reel packaging can be ordered by adding a "T" suffix to the part number (i.e. 100B-1049 becomes 100B-1049T)

Mechanical

100B-1049/NL



SUGGESTED LAND PATTERN

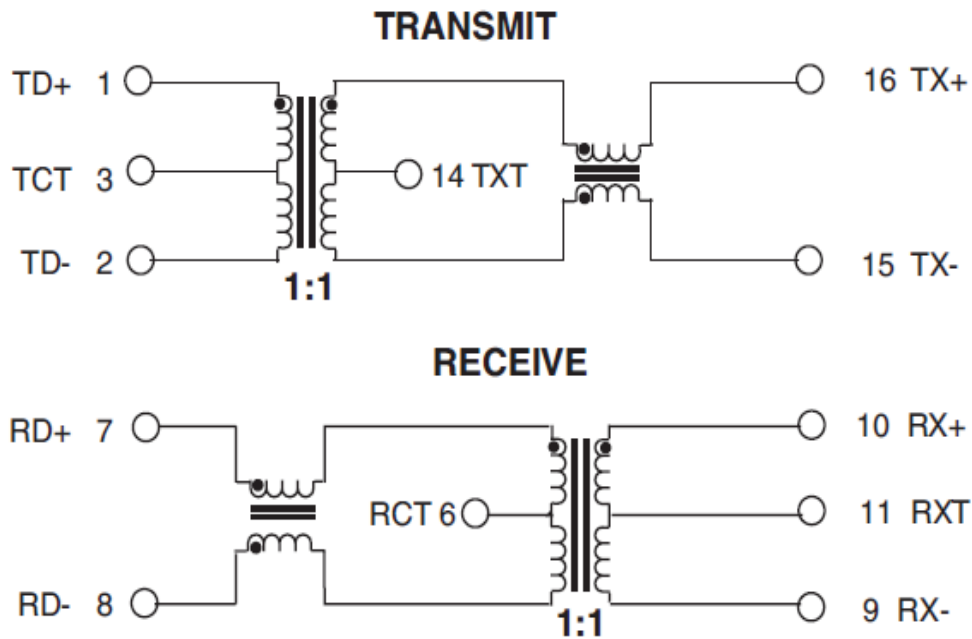


Weight0.3 grams
Tape & Reel500/Reel
Tube 40/Tube

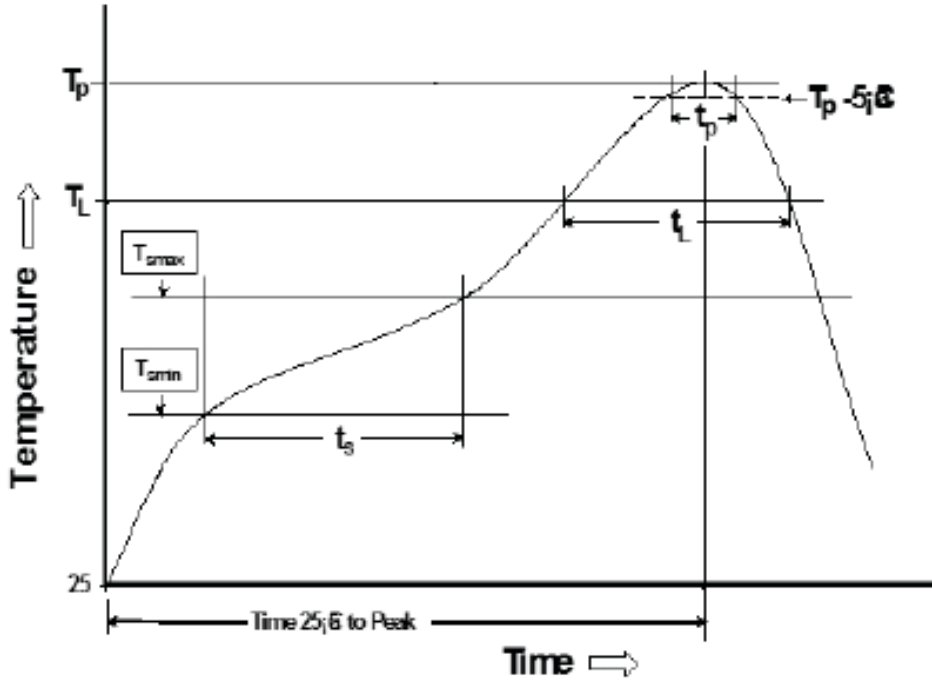
Dimensions: $\frac{\text{Inches}}{\text{mm}}$ Unless otherwise specified, all tolerances are $\pm \frac{.010}{0,25}$

100B-1049/NL

Schematic



Tin/Lead Recommended Reflow Profile (Based on J-STD-020D)



T _{SMIN} (°C)	T _{SMAX} (°C)	T _L (°C)	T _P (°C MAX)	t _s (s)	t _L (s)	t _p (s MAX)	Ramp-up rate (T _L to T _P)	Ramp-down rate (T _P to T _L)	Time 25°C to peak temperature (s MAX)
100	150	183	235	60-120	60-150	20	3°C/s MAX	6°C/s MAX	360

Notes:

1. All temperatures measured on the package leads.
2. Maximum times of reflow cycle: 2.

For More Information

**Pulse North America
Headquarters**

Two Pearl Buck Court
Bristol, PA 19007
U.S.A.

Tel: 215 781 6400
Fax: 215 781 6403

Pulse Europe

Einsteinstrasse 1
D-71083 Herrenberg
Germany

Tel: 49 7032 7806 0
Fax: 49 7032 7806 135

Pulse China Headquarters

B402, Shenzhen Academy of
Aerospace Technology Bldg.
10th Kejian Road
High-Tech Zone
Nanshan District
Shenzhen, PR China 518057

Tel: 86 755 33966678
Fax: 86 755 33966700

Pulse North China

Room 2704/2705
Super Ocean Finance Ctr.
2067 Yan An Road West
Shanghai 200336
China

Tel: 86 21 62787060
Fax: 86 2162786973

Pulse South Asia

135 Joo Seng Road
#03-02
PM Industrial Bldg.
Singapore 368363

Tel: 65 6287 8998
Fax: 65 6287 8998

Pulse North Asia

3F, No. 198
Zhongyuan Road
Zhongli City
Taoyuan County 320
Taiwan R. O. C.

Tel: 886 3 4356768
Fax: 886 3 4356823 (Pulse)
Fax: 886 3 4356820 (FRE)

Performance warranty of products offered on this data sheet is limited to the parameters specified. Data is subject to change without notice. Other brand and product names mentioned herein may be trademarks or registered trademarks of their respective owners. © Copyright, 2018, Pulse Electronics, Inc. All rights reserved.