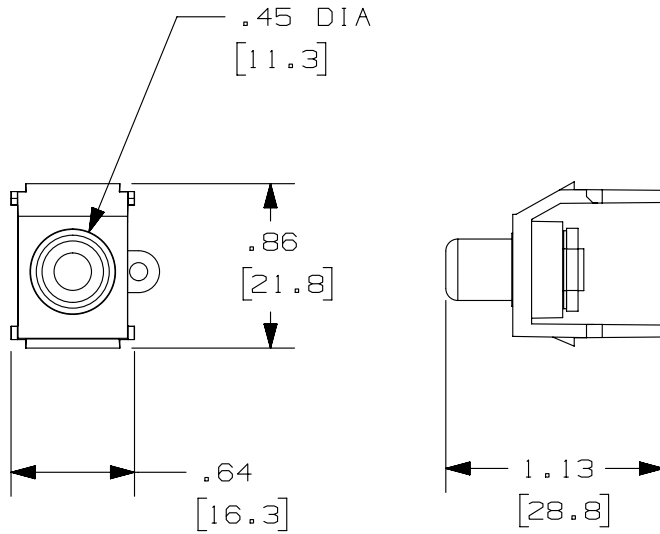


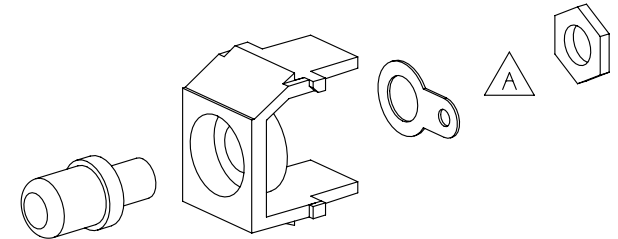
THIS COPY IS PROVIDED ON A RESTRICTED BASIS AND IS NOT TO BE USED IN ANY WAY DETRIMENTAL TO THE INTERESTS OF PANDUIT CORP.

PANDUIT P/N	WEIGHT
NKRSMB**Y	.16 LB/10 PCS (75 g/10 PCS)
NKRSMR**Y	
NKRSMW**Y	
NKRSMY**Y	



NOTES:

1. SEE CURRENT CATALOG FOR ADDITIONAL PART SUFFIXES TO INDICATE COLOR AND OR PACKAGE QUANTITY.
2. DIMENSIONS IN [ ] ARE IN METRIC.
3. PART INCLUDES:
  - 1- MODULE BASE
  - 1- RCA CONNECTOR
  - 1- GROUNDING RING
  - 1- HEX NUT



PART NUMBER	SEE TABLE	PRODUCT SPEC/PKG SPEC	N/A
I.I. NUMBER	N/A	WORK INSTRUCTION	N/A

TITLE	NETKEY RCA SOLDER TYPE MODULE		
	CUSTOMER DRAWING		

ITEM REVISION NAME	M02479PD/00	<b>PANDUIT</b>
DATASET FILE NAME	M02479PD_DC367/00B	

UNLESS OTHERWISE SPECIFIED, DIMENSIONAL TOLERANCES ARE: IN [ mm ]		MATERIAL:	ABS
.x ± .1 [ 2.54 ]	.xxx ± .005 [ .127 ]		
.xx ± .01 [ .25 ]	ANGLES ± 5 °		
		DRAWING NUMBER:	
		02479-367	

REV	DATE	BY	CHK	APR	DESCRIPTION	ECN
1	12-2-13	BJN	JSP	JCK	A. REMOVED LOCK WASHER FROM MODULE	02479-367
R	8-9-06	JSP	MJD	MJD	RELEASED TO PRODUCTION	02479-367

DRAWN BY	DATE	CHK	SCALE	SHT 1 OF 1	SIZE
JSP	8-9-06	MJD	NONE		A

D10100DA/14