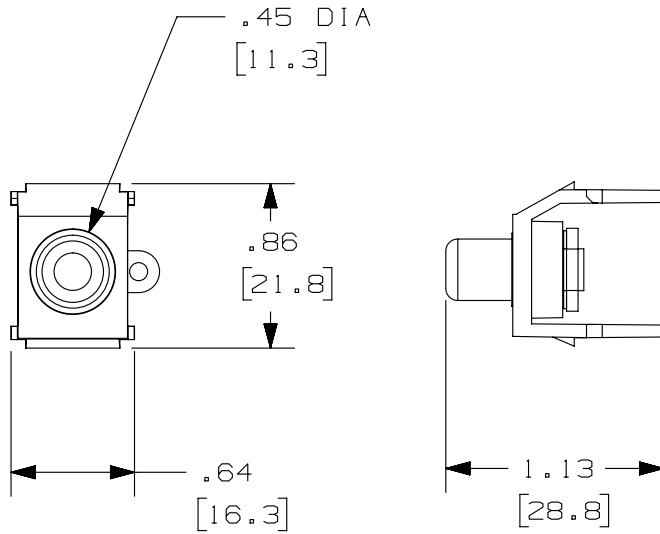


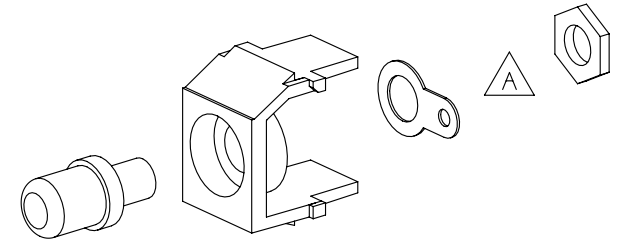
THIS COPY IS PROVIDED ON A RESTRICTED BASIS AND IS NOT TO BE USED IN ANY WAY DETRIMENTAL TO THE INTERESTS OF PANDUIT CORP.

PANDUIT P/N	WEIGHT
NKRSMB**Y	.16 LB/10 PCS (75 g/10 PCS)
NKRSMR**Y	
NKRSMW**Y	
NKRSMY**Y	



NOTES:

- SEE CURRENT CATALOG FOR ADDITIONAL PART SUFFIXES TO INDICATE COLOR AND OR PACKAGE QUANTITY.
- DIMENSIONS IN [] ARE IN METRIC.
- PART INCLUDES:
 - 1- MODULE BASE
 - 1- RCA CONNECTOR
 - 1- GROUNDING RING
 - 1- HEX NUT



PART NUMBER	SEE TABLE	PRODUCT SPEC/PKG SPEC	N/A
I.I. NUMBER	N/A	WORK INSTRUCTION	N/A

TITLE	NETKEY RCA SOLDER TYPE MODULE		
	CUSTOMER DRAWING		

ITEM REVISION NAME	M02479PD/00	PANDUIT
DATASET FILE NAME	M02479PD_DC367/00B	

UNLESS OTHERWISE SPECIFIED, DIMENSIONAL TOLERANCES ARE: IN [mm]		MATERIAL:	ABS
.x ± .1 [2.54]	.xxx ± .005 [.127]		
.xx ± .01 [.25]	ANGLES ± 5 °		
		DRAWING NUMBER:	
		02479-367	

REV	DATE	BY	CHK	APR	DESCRIPTION	ECN
1	12-2-13	BJN	JSP	JCK	A. REMOVED LOCK WASHER FROM MODULE	02479-367
R	8-9-06	JSP	MJD	MJD	RELEASED TO PRODUCTION	02479-367

DRAWN BY	DATE	CHK	SCALE	SHT 1 OF 1	SIZE
JSP	8-9-06	MJD	NONE		A

D10100DA/14