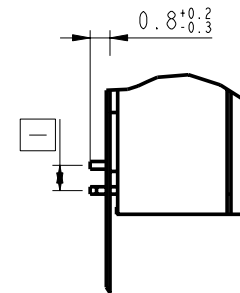
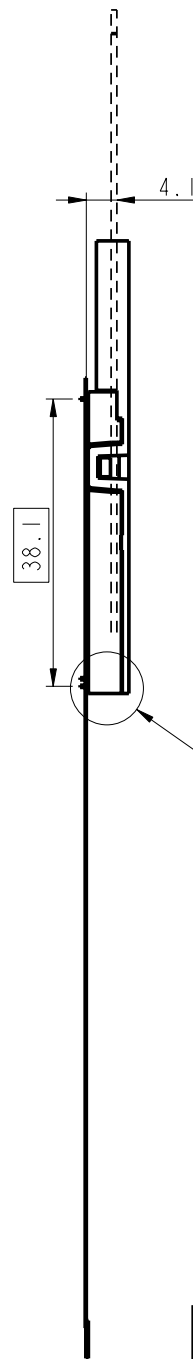
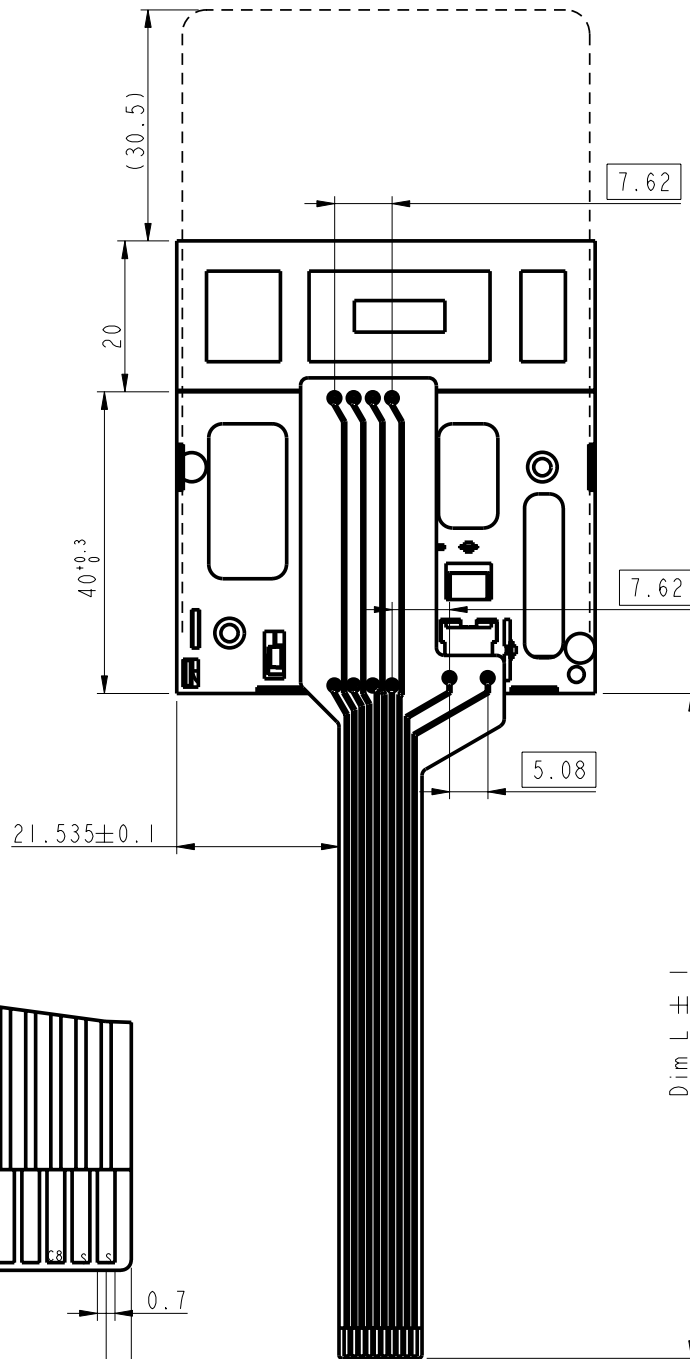
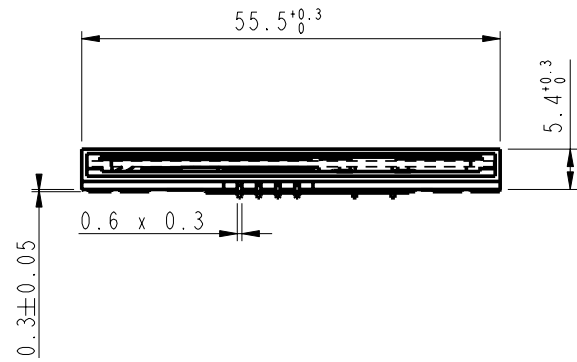
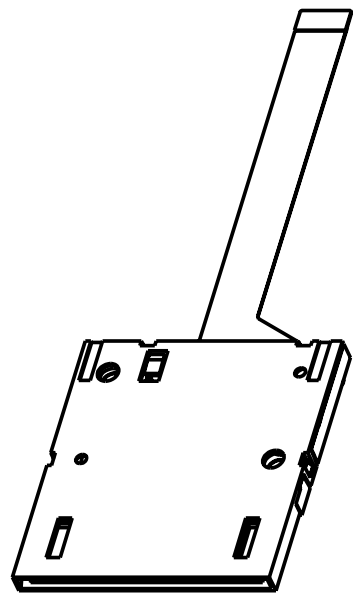


<b>PART NUMBER</b>	<b>LEAD FREE VERSION</b>	<b>DIM L</b>
7361E0525S05	7361E0525S05LF	90



DETAIL B  
SCALE 5:1

**GENERAL :**  
High cycle life duration smart card connector with landing type contacts mechanism. The landing type connector also provides the feature of recessed contacts when card is not inserted which protects them against vandalism.  
Smart card for reference purposes only.

**ELECTRICAL PROPERTIES:**  
Insulation resistance : > 1000MΩ  
Dielectric withstanding voltage : >750 Vrms  
Current carrying capacity : Min 10μA, Max 1A  
Contact resistance : < 100mΩ

**MECHANICAL PROPERTIES :**  
Operating force : Insertion : F < 10N  
Withdrawal : 1 < F < 10N  
Contact Normal force : 0.2 < F < 0.3 for 0.6mm of deflection  
Durability : 200 000 mating cycles

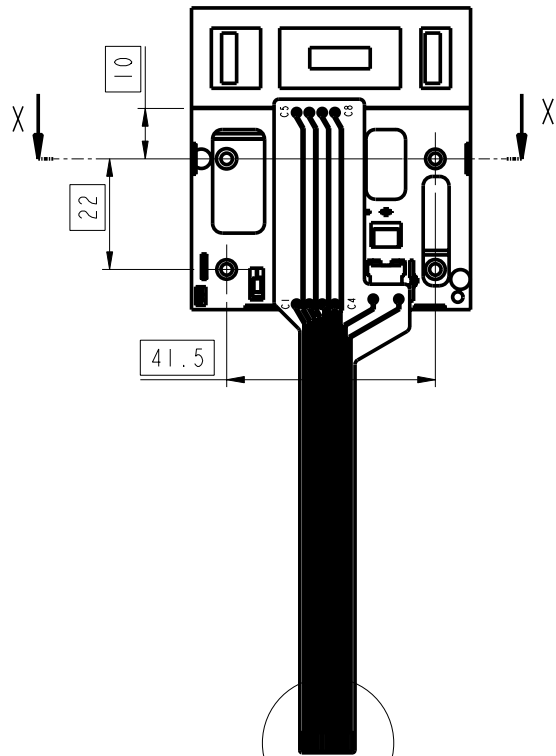
**MATERIAL :**  
Head reader : Thermoplastic, Colour Grey, Rated UL94V0  
Cover : Thermoplastic, Colour Black, Rated UL94V0  
Contacts : Copper alloy,  
Plating : Gold over Ni or equivalent on contact area  
SnPb over Ni on solder tails (for leaded version)  
Matte tin over Ni on solder tails (for lead free version)

**ENVIRONMENT :**  
Operating temperature : -40°C / +85°C  
Climatic conditions : UTE 93-421

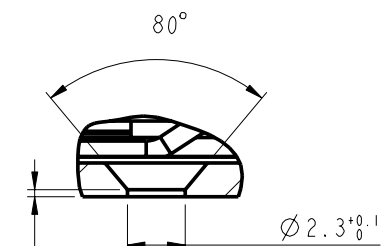
**PACKAGING :**  
Plastic cavity tray

LEAD FREE VERSION:

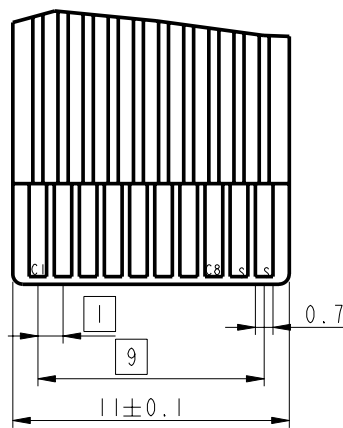
"This product meets European Union Directives and other country regulations as described in GS-22-008"



SEE DETAIL A



SECTION X-X  
SCALE 5:1



DETAIL A  
SCALE 5:1

General Tolerances	
0 to 10mm:	±0.1mm
10 to 30mm:	±0.15mm
30 to 60mm:	±0.2mm
60 and more:	±0.3mm

rev	ecn no	dr	date
A	F20307	DLE	2002/04/29
B	F20341	DLE	2002/06/04
C	LS3088	JTA	2003/11/28
D	105-0176	NT	2005/10/01
E	106-0078	DTK	2006/06/19
F	109-0013	SSC	2009/01/24

www.fciconnect.com		surface --	tolerance std	projection	mm
		ISO 1302	ISO 406 ISO 1101	⊕	↔
TOLERANCES UNLESS OTHERWISE SPECIFIED					
Dr	D LEGRAND	2002/04/29	ANGULAR	0.x	±
Eng	F TISSERAND	2002/04/29	LINEAR	0.xx	±
Chr	S.S.CHERIAN	2009/01/24	0° ±°	0.xxx	±
Appr	S.S.CHERIAN	2009/01/24	Product family MOBILE I/O		ECN 109-0013
Spec ref					
E05 FLEX			VJW54378		Rev. F
SMART CARD READER VXX 27787			See Table		sheet 1 of 1