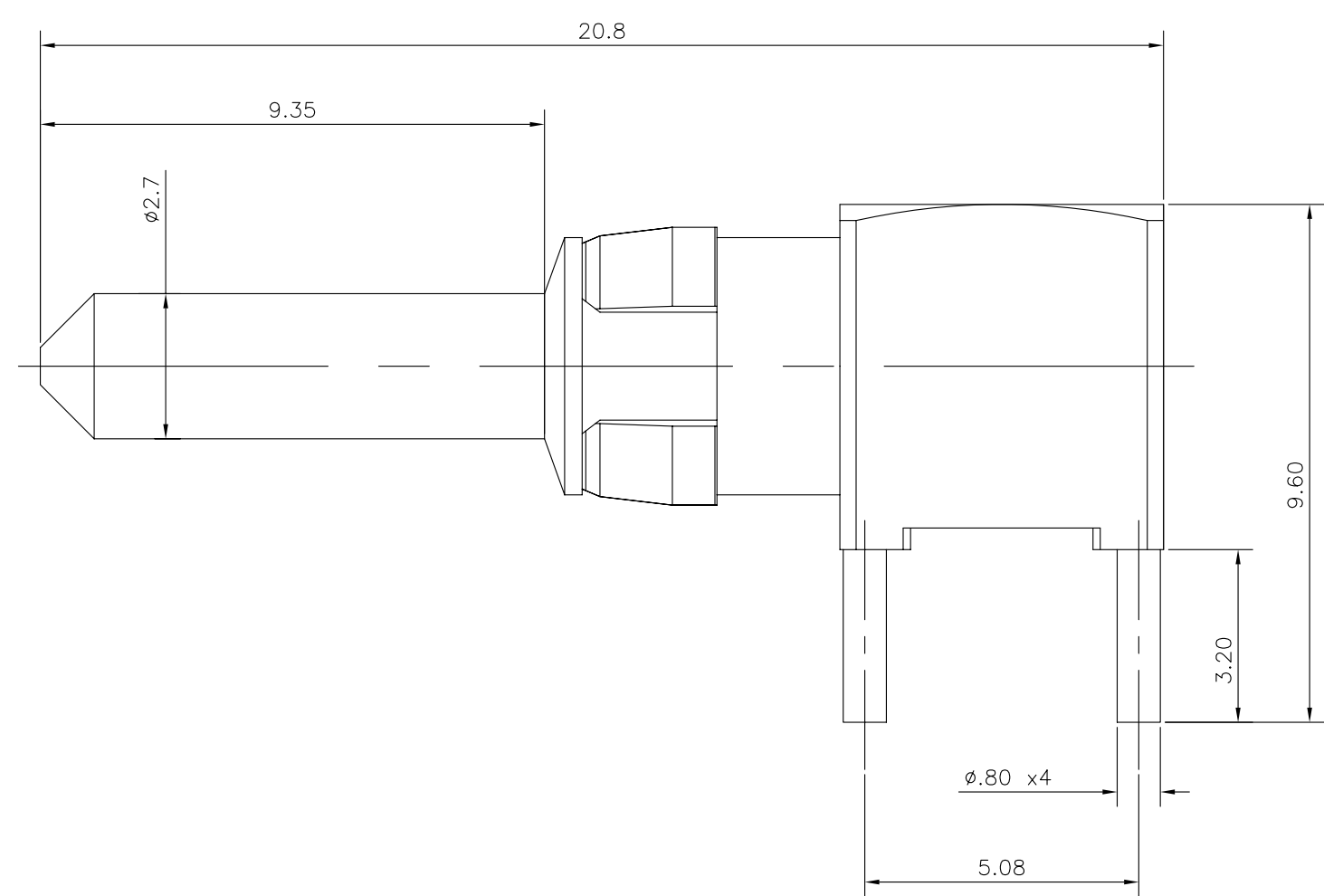




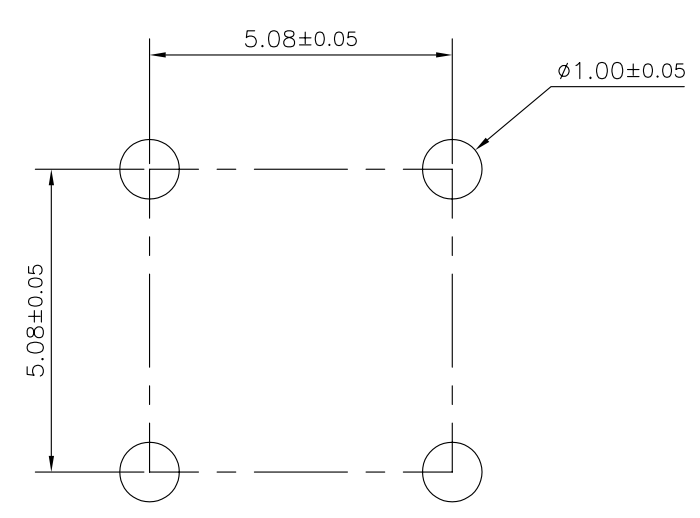
Copyright FCI

form: A3



NOTE

- 1. PLATED THROUGH HOLE INFORMATION SEE DRAWING BSA,201572,012
- 2. PERFORMANCE CHARACTERISTICS
 - CURRENT CAPACITY - 10 A (4 SOLDER TAGS)
 - INSERTION FORCE - 10 N MAX.
 - WITHDRAWAL FORCE - 1.6 N MIN
 - CONTACT RESISTANCE : < 1 m Ω UNDER 10 A
- 3. THE PRODUCT (LF) MEETS EUROPEAN UNION DIRECTIVES AND OTHER COUNTRY REGULATIONS AS DESCRIBED IN GS-22-008



PCB LAY-OUT

CATALOG NO: RM12PIE92---LF

mat'l. code				surface ISO 1302 ✓		tolerance ISO 406 ISO 1101		projection MM		product family MILLIPACS			
ltr				ecn no		dr		date		tolerances unless otherwise specified		title	
A				I05-0122		MINI		2005-07-26		.0±0.1		RIGHT ANGLE MALE CONTACT (DIP SOLDER)	
B				I08-0172		MINI		2008-12-20		linear			
								0°±1°		scale			
						dr		ABRAHAM PETER		2005-07-26		dwg no	
						enr		ALEX BABU		2005-07-26		sheet 1 of 1	
						chr		ALEX BABU		2008-12-20		size	
						appd		ALEX BABU		2008-12-20		A3	
sheet index		revision sheet		B		1						type Product Customer Drawing	