

# ITX-i290D

## Intel® Atom™ D510 Embedded Mini-ITX Motherboard



### Features

- Soldered Onboard Intel® Atom™ D510 Processor
- Dual Gigabit Ethernet Ports
- Cost-effective
- Support 6 Serial Ports with 5V or 12V Power-pin
- Highly Integrated Communication Interfaces
- Dual Display via Analog RGB and LVDS
- Single DC 12V Power Input

### System

<b>CPU</b>	Soldered onboard Intel® Atom™ D510 1.66GHz processor
<b>Memory</b>	1 x 200-pin DDR2 SO-DIMM socket, supporting 667/800 MHz SDRAM up to 2GB
<b>Chipset</b>	ICH8M
<b>BIOS</b>	AMI Flash BIOS
<b>Watchdog Timer</b>	65536-level reset

### I/O

<b>I/O Chipset</b>	ITE8718
<b>Serial Port</b>	5 x RS-232 ports, 1 x RS-232/422/485 selectable port
<b>Parallel Port</b>	SPP/EPP/ECP mode selectable
<b>USB Port</b>	8 x USB 2.0 ports
<b>KB/MS</b>	2 x PS/2 interfaces for keyboard and mouse
<b>Digital I/O</b>	8-bit programmable Digital Input/Output, 4 in/4 out

### Expansion Bus

- 1 x PCI slot
- 1 x Mini-card socket

### Storage

- 1 x Ultra ATA 100 port
- 2 x Serial ATA ports with 300MB/s HDD transfer rate

### Ethernet Chipset

- 2 x Realtek 8111 GbE controllers

### Audio Interface

- Realtek ALC662 Audio CODEC, Mic-in/Line-in/Line-out

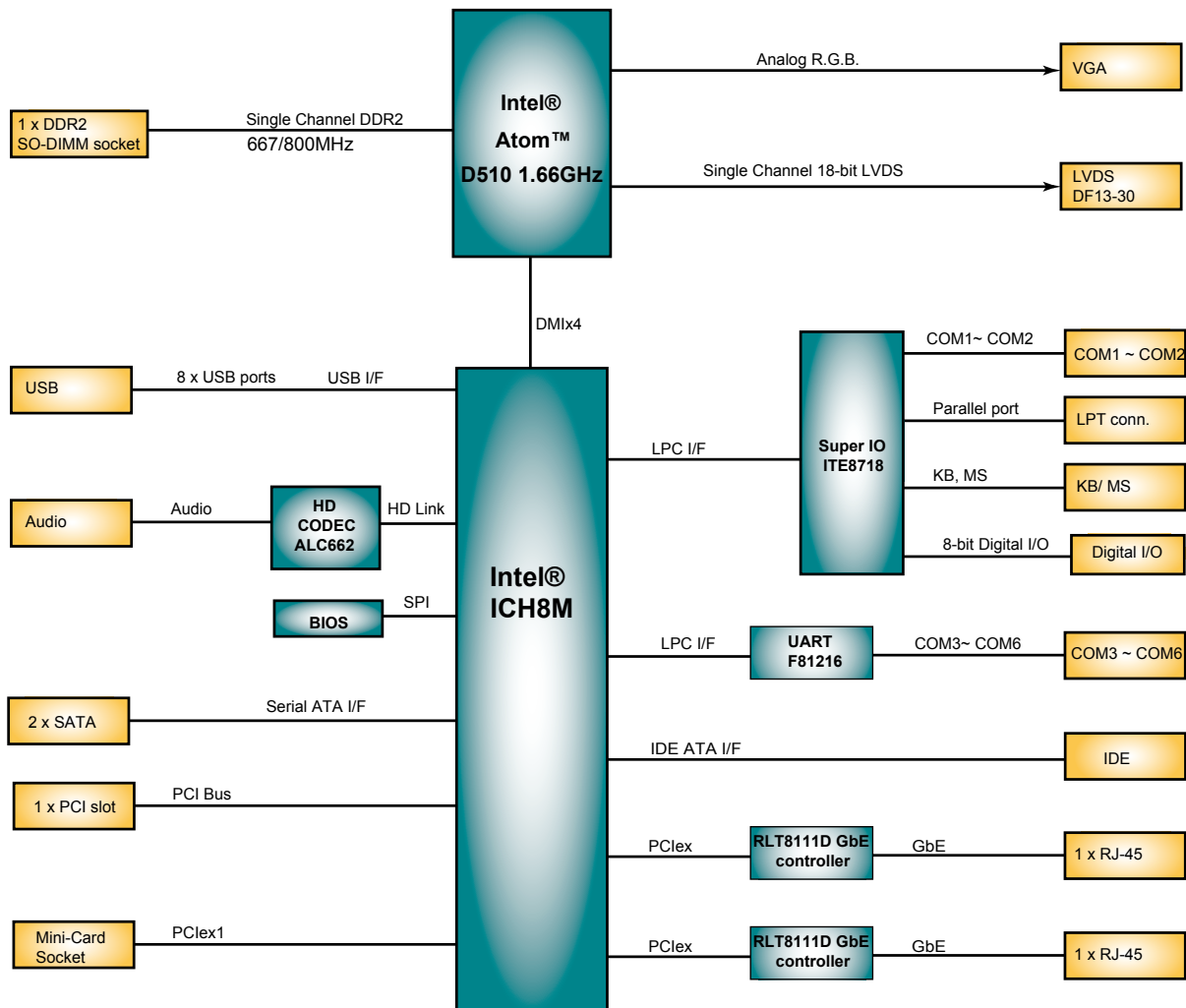
### Display

<b>Graphics Chipset</b>	Intel® Graphics Media Accelerator 3150
<b>Graphics Interface</b>	Analog RGB supports resolution up to 2048 x 1536 LCD supports 18-bit LVDS, resolution up to 1366 x 768

### Mechanical & Environmental

<b>Power Connector</b>	4-pin ATX 12V connector
<b>Power Consumption</b>	3.4A@+12V (Typical)
<b>Operating Temp.</b>	0 ~ 60°C (32 ~ 140°F) w/ cooling fan
<b>Operating Humidity</b>	10 ~ 95% @ 60°C (non-condensing)
<b>Dimensions (L x W)</b>	170 x 170 mm (6.7" x 6.7")

## Block Diagram



## Ordering Information

**ITX-i290D** Intel® Atom™ D510 Embedded Mini-ITX motherboard

## Optional Accessories

- CBK-08-290D-00**
- Cable kit
- 2 x USB cables
  - 1 x LPT cable
  - 1 x SATA cable
  - 1 x IDE cable
  - 3 x COM cables