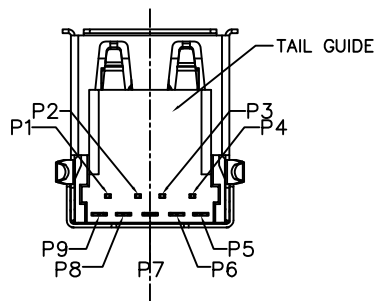


RECOMMENDED PCB LAYOUT
TOP VIEW (THICKNESS: 1.6±0.1mm)



PART NUMBER CODE:
10117835-X0XLF

- PLATING OPTION ON CONTACT AREA
- 1: 30u" (0.76um) Min. gold (Durability: 3500)
- 2: Gold Flash (Durability: 1500)
- 3: 15u" (0.38um) Min. gold (Durability: 3000)
- PACKAGE TYPE
- O: TRAY
- T: TAPE & REEL

- Notes:
- Materials and Finish
Housing & Tail Guide: Glass fiber filled thermoplastic resin, UL94 V-0 rated, color blue.
Terminals: Copper Alloy, 50u"(1.27um) Min. Ni underplated over all.
Contact area: see table
Tail area: 80u"(2.0um) Min. Matte Tin plated.
Front Shell: Copper Alloy, 50u"(1.27um) Min. Ni plated over all.
Back Shell: Steel, 80u"(2.0um) Min. Ni plated over all.
 - Product specification refer to FCI GS-12-0928.
 - Package specification refer to GS-14-2157.
 - Housing will withstand exposure to 260°C peak temperature for 10 seconds in a convection reflow oven
 - Product meets European Union Directives and other country regulations as described in FCI GS-22-008.
 - Recommended PCB hole is finished plating through hole (PTH) size.
 - Datum Z,Y and basic dimensions were constructed by customer.

mat'l. code		surface		tolerance		projection		product family	
		ASME Y14.5 ✓		ASME Y14.5				USB 3.0	
tolerances unless otherwise specified									
ltr	ecn no	dr	date	angles	dr			title	
A	-	BF	01/04/2012				MM	USB 3.0 Standard-A Receptacle	
B	ELX-N-012221	A.ZH	07/16/2012					Right Angle Type	
C	ELX-N-17163	L.Q	03/10/2014	X±1°				Soldering to Board Termination	
D	ELX-N-17795	L.Q	05/27/2014	dr	BEER FU	2012-01-04		dwg no sheet 1 of 1 size	
E	ELX-N-19547	L.Q	11/21/2014	eng	BEER FU	2012-01-04		10117835 A4	
F	ELX-N-21815	L.Q	09/01/2015	chr	BEER FU	2012-01-04		type CUSTOMER Drawing	
				app	BEER FU	2012-01-04			
sheet	revision	F							
index	sheet	1							