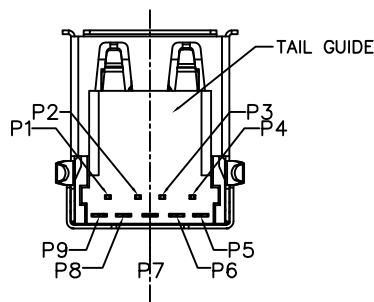


RECOMMENDED PCB LAYOUT
TOP VIEW (THICKNESS: 1.6±0.1mm)



PART NUMBER CODE:
10117835-X0XLf

- PLATING OPTION ON CONTACT AREA
- 1: 30u" (0.76um) Min. gold (Durability: 3500)
- 2: Gold Flash (Durability: 1500)
- 3: 15u" (0.38um) Min. gold (Durability: 3000)
- PACKAGE TYPE
- 0: TRAY
- T: TAPE & REEL

Notes:

- 1) Materials and Finish
Housing & Tail Guide: Glass fiber filled thermoplastic resin, UL94 V-0 rated, color blue.
Terminals: Copper Alloy, 50u"(1.27um) Min. Ni underplated over all.
Contact area: see table
Tail area: 80u"(2.0um) Min. Matte Tin plated.
Front Shell: Copper Alloy, 50u"(1.27um) Min. Ni plated over all.
Back Shell: Steel, 80u"(2.0um) Min. Ni plated over all.
- 2) Product specification refer to FCI GS-12-0928.
- 3) Package specification refer to GS-14-2157.
- 4) Housing will withstand exposure to 260°C peak temperature for 10 seconds in a convection reflow oven
- 5) Product meets European Union Directives and other country regulations as described in FCI GS-22-008.
- 6) Recommended PCB hole is finished plating through hole (PTH) size.
- 7) Datum Z,Y and basic dimensions were constructed by customer.

mat'l. code		surface		tolerance		projection		product family	
		ASME Y14.5 ✓		ASME Y14.5		⊕		USB 3.0	
itr		ecn no		dr		date		tolerances unless otherwise specified	
A	-	BF	01/04/2012	angles	0	x.±0.30	MM	title	
B	ELX-N-012221	A.ZH	07/16/2012			x.X±0.25		USB 3.0 Standard-A Receptacle	
C	ELX-N-17163	L.Q	03/10/2014	X°±1°		x.XX±0.20		Right Angle Type	
D	ELX-N-17795	L.Q	05/27/2014	dr	BEER FU	2012-01-04		Soldering to Board Termination	
E	ELX-N-19547	L.Q	11/21/2014	eng	BEER FU	2012-01-04		dwg no	
F	ELX-N-21815	L.Q	09/01/2015	chr	BEER FU	2012-01-04		sheet 1 of 1	
				app		BEER FU	2012-01-04	size	
								10117835	
								A4	
								type	
								CUSTOMER Drawing	
sheet index	revision	F							
	sheet	1							